

ADVANTAGE ELEVATIONS

OIL FIELD SURVEYORS

BOX 8604 - PRATT, KS 67124
(620) 672-6491

1021102
INVOICE NO.

FALCON EXPLORATION INC
OPERATOR

1-8
NO.

Kenneth
Dirks

FARM

Gray Co COUNTY 8 S 28s T 30w R

2010' FSL & 440' FEL LOCATION

SW NE NE SE

ELEVATION: 2809' gr



FALCON EXPLORATION INC
125 N Market St., Ste 1252
Wichita KS 67202

AUTHORIZED BY: Mike

8

SCALE: 1" = 1000'

C/R 3

Set 5' wood stake, 1' rebar & Flag.

Level circle irrig, corn stubble.

Stake fell 2' from wheel track.

ALTERNATE #1: ELEVATION 2809 gr
2090' FSL & 530' FEL

Level circle irrig, corn stubble

± 20' NE to nearest wheel tract.

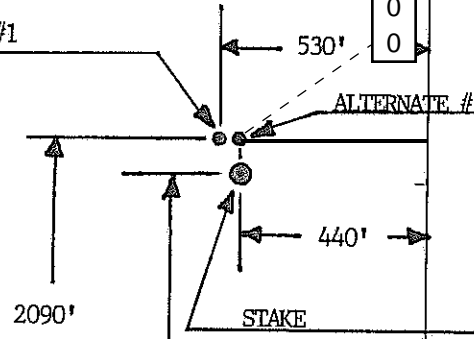
ALTERNATE #2: ELEVATION: 2809' gr

→ 2090' FSL & 440' FEL

Level circle irrig, corn stubble
between wheel tracts.

ALTERNATE #1

ALTERNATE #2



Preliminary/Non-binding estimate for location of:
Road/tank battery/leadlines

Staked 10/21/10

AA