



1051887

For KCC Use ONLY

API # 15 - _____

IN ALL CASES PLOT THE INTENDED WELL ON THE PLAT BELOW

In all cases, please fully complete this side of the form. Include items 1 through 5 at the bottom of this page.

Operator: _____

Lease: _____

Well Number: _____

Field: _____

Number of Acres attributable to well: _____

QTR/QTR/QTR/QTR of acreage: _____ - _____ - _____ - _____

Location of Well: County: _____

_____ feet from N / S Line of Section

_____ feet from E / W Line of Section

Sec. _____ Twp. _____ S. R. _____ E W

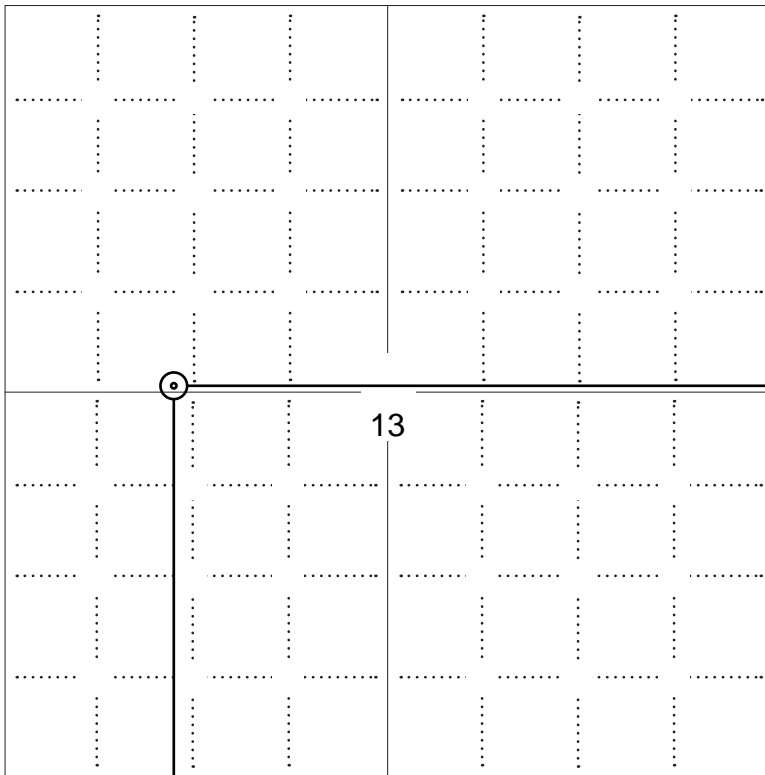
Is Section: Regular or Irregular

If Section is Irregular, locate well from nearest corner boundary.

Section corner used: NE NW SE SW

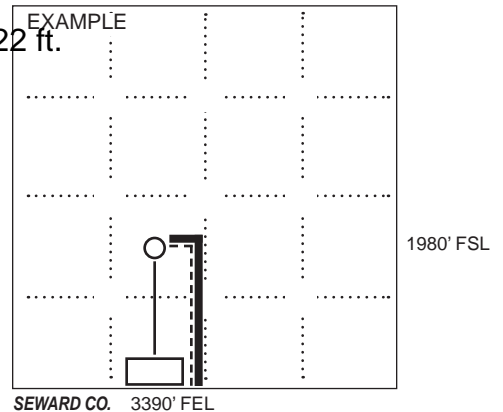
PLAT

Show location of the well. Show footage to the nearest lease or unit boundary line. Show the predicted locations of lease roads, tank batteries, pipelines and electrical lines, as required by the Kansas Surface Owner Notice Act (House Bill 2032). You may attach a separate plat if desired.



LEGEND

- Well Location
- Tank Battery Location
- Pipeline Location
- Electric Line Location
- Lease Road Location



NOTE: In all cases locate the spot of the proposed drilling locaton.

2678 ft.

In plotting the proposed location of the well, you must show:

1. The manner in which you are using the depicted plat by identifying section lines, i.e. 1 section, 1 section with 8 surrounding sections, 4 sections, etc.
2. The distance of the proposed drilling location from the south / north and east / west outside section lines.
3. The distance to the nearest lease or unit boundary line (in footage).
4. If proposed location is located within a prorated or spaced field a certificate of acreage attribution plat must be attached: (C0-7 for oil wells; CG-8 for gas wells).
5. The predicted locations of lease roads, tank batteries, pipelines, and electrical lines.



KANSAS CORPORATION COMMISSION 1051887
OIL & GAS CONSERVATION DIVISION

Form CDP-1
May 2010
Form must be Typed

APPLICATION FOR SURFACE PIT

Submit in Duplicate

Operator Name: _____		License Number: _____	
Operator Address: _____			
Contact Person: _____		Phone Number: _____	
Lease Name & Well No.: _____		Pit Location (QQQQ): _____-_____-_____-_____	
Type of Pit: <input type="checkbox"/> Emergency Pit <input type="checkbox"/> Burn Pit <input type="checkbox"/> Settling Pit <input type="checkbox"/> Drilling Pit <input type="checkbox"/> Workover Pit <input type="checkbox"/> Haul-Off Pit <i>(If WP Supply API No. or Year Drilled)</i>		Pit is: <input type="checkbox"/> Proposed <input type="checkbox"/> Existing If Existing, date constructed: _____ Pit capacity: _____ (bbls)	
Is the pit located in a Sensitive Ground Water Area? <input type="checkbox"/> Yes <input type="checkbox"/> No		Chloride concentration: _____ mg/l <i>(For Emergency Pits and Settling Pits only)</i>	
Is the bottom below ground level? <input type="checkbox"/> Yes <input type="checkbox"/> No		Artificial Liner? <input type="checkbox"/> Yes <input type="checkbox"/> No	
How is the pit lined if a plastic liner is not used?			
Pit dimensions (all but working pits): _____ Length (feet) _____ Width (feet) <input type="checkbox"/> N/A: Steel Pits Depth from ground level to deepest point: _____ (feet) <input type="checkbox"/> No Pit			
If the pit is lined give a brief description of the liner material, thickness and installation procedure.		Describe procedures for periodic maintenance and determining liner integrity, including any special monitoring.	
Distance to nearest water well within one-mile of pit: _____ feet Depth of water well _____ feet		Depth to shallowest fresh water _____ feet. Source of information: <input type="checkbox"/> measured <input type="checkbox"/> well owner <input type="checkbox"/> electric log <input type="checkbox"/> KDWR	
Emergency, Settling and Burn Pits ONLY: Producing Formation: _____ Number of producing wells on lease: _____ Barrels of fluid produced daily: _____ Does the slope from the tank battery allow all spilled fluids to flow into the pit? <input type="checkbox"/> Yes <input type="checkbox"/> No		Drilling, Workover and Haul-Off Pits ONLY: Type of material utilized in drilling/workover: _____ Number of working pits to be utilized: _____ Abandonment procedure: _____ _____ Drill pits must be closed within 365 days of spud date.	
<p>Submitted Electronically</p>			

KCC OFFICE USE ONLY

Liner Steel Pit RFAC RFAS

Date Received: _____ Permit Number: _____ Permit Date: _____ Lease Inspection: Yes No



CERTIFICATION OF COMPLIANCE WITH THE KANSAS SURFACE OWNER NOTIFICATION ACT

This form must be submitted with all Forms C-1 (Notice of Intent to Drill); CB-1 (Cathodic Protection Borehole Intent); T-1 (Request for Change of Operator Transfer of Injection or Surface Pit Permit); and CP-1 (Well Plugging Application). Any such form submitted without an accompanying Form KSONA-1 will be returned.

Select the corresponding form being filed: C-1 (Intent) CB-1 (Cathodic Protection Borehole Intent) T-1 (Transfer) CP-1 (Plugging Application)

OPERATOR: License # _____
Name: _____
Address 1: _____
Address 2: _____
City: _____ State: _____ Zip: _____ + _____
Contact Person: _____
Phone: (_____) _____ Fax: (_____) _____
Email Address: _____

Well Location:
____ - ____ - ____ - ____ Sec. ____ Twp. ____ S. R. ____ East West
County: _____
Lease Name: _____ Well #: _____

If filing a Form T-1 for multiple wells on a lease, enter the legal description of the lease below:

Surface Owner Information:

Name: _____
Address 1: _____
Address 2: _____
City: _____ State: _____ Zip: _____ + _____

When filing a Form T-1 involving multiple surface owners, attach an additional sheet listing all of the information to the left for each surface owner. Surface owner information can be found in the records of the register of deeds for the county, and in the real estate property tax records of the county treasurer.

If this form is being submitted with a Form C-1 (Intent) or CB-1 (Cathodic Protection Borehole Intent), you must supply the surface owners and the KCC with a plat showing the predicted locations of lease roads, tank batteries, pipelines, and electrical lines. The locations shown on the plat are preliminary non-binding estimates. The locations may be entered on the Form C-1 plat, Form CB-1 plat, or a separate plat may be submitted.

Select one of the following:

- I certify that, pursuant to the Kansas Surface Owner Notice Act (House Bill 2032), I have provided the following to the surface owner(s) of the land upon which the subject well is or will be located: 1) a copy of the Form C-1, Form CB-1, Form T-1, or Form CP-1 that I am filing in connection with this form; 2) if the form being filed is a Form C-1 or Form CB-1, the plat(s) required by this form; and 3) my operator name, address, phone number, fax, and email address.
- I have not provided this information to the surface owner(s). I acknowledge that, because I have not provided this information, the KCC will be required to send this information to the surface owner(s). To mitigate the additional cost of the KCC performing this task, I acknowledge that I am being charged a \$30.00 handling fee, payable to the KCC, which is enclosed with this form.

If choosing the second option, submit payment of the \$30.00 handling fee with this form. If the fee is not received with this form, the KSONA-1 form and the associated Form C-1, Form CB-1, Form T-1, or Form CP-1 will be returned.

I Submitted Electronically

For KCC Use ONLY

API # 15 - _____

IN ALL CASES PLOT THE INTENDED WELL ON THE PLAT BELOW

In all cases, please fully complete this side of the form. Include items 1 through 5 at the bottom of this page.

Operator: _____

Lease: _____

Well Number: _____

Field: _____

Number of Acres attributable to well: _____

QTR/QTR/QTR/QTR of acreage: _____ - _____ - _____ - _____

Location of Well: County: _____

_____ feet from N / S Line of Section

_____ feet from E / W Line of Section

Sec. _____ Twp. _____ S. R. _____ E W

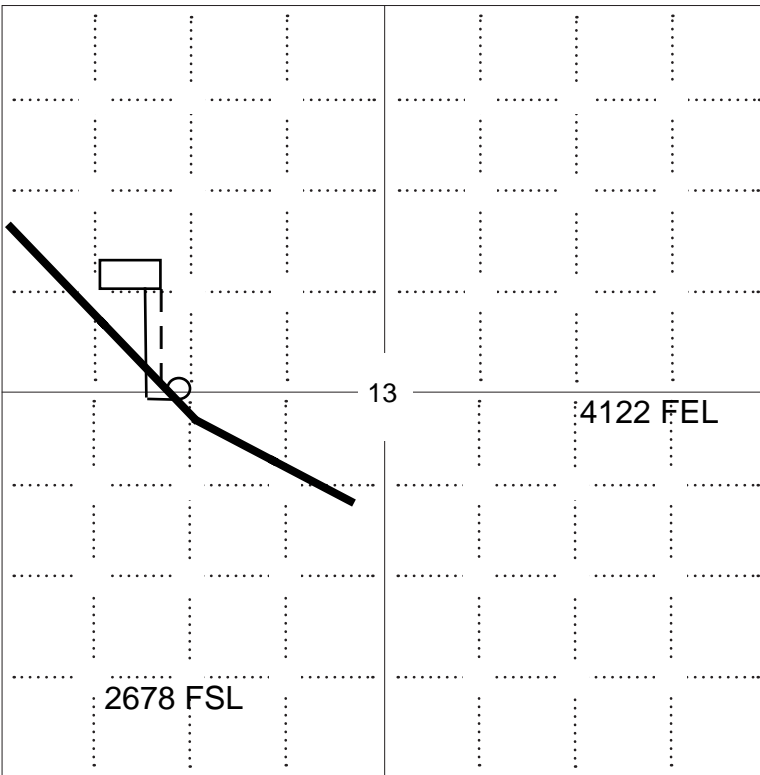
Is Section: Regular or Irregular

If Section is Irregular, locate well from nearest corner boundary.

Section corner used: NE NW SE SW

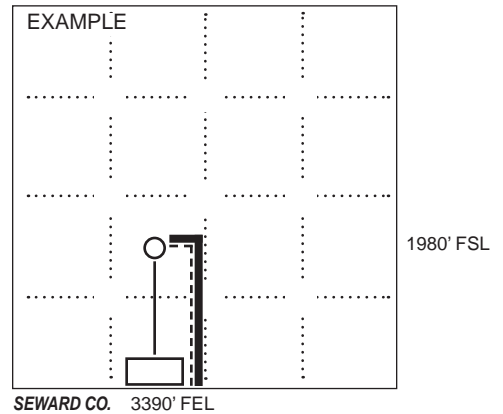
PLAT

Show location of the well. Show footage to the nearest lease or unit boundary line. Show the predicted locations of lease roads, tank batteries, pipelines and electrical lines, as required by the Kansas Surface Owner Notice Act (House Bill 2032). You may attach a separate plat if desired.



LEGEND

- Well Location
- Tank Battery Location
- Pipeline Location
- Electric Line Location
- Lease Road Location



NOTE: In all cases locate the spot of the proposed drilling locaton.

In plotting the proposed location of the well, you must show:

1. The manner in which you are using the depicted plat by identifying section lines, i.e. 1 section, 1 section with 8 surrounding sections, 4 sections, etc.
2. The distance of the proposed drilling location from the south / north and east / west outside section lines.
3. The distance to the nearest lease or unit boundary line (in footage).
4. If proposed location is located within a prorated or spaced field a certificate of acreage attribution plat must be attached: (C0-7 for oil wells; CG-8 for gas wells).
5. The predicted locations of lease roads, tank batteries, pipelines, and electrical lines.

Conservation Division
Finney State Office Building
130 S. Market, Rm. 2078
Wichita, KS 67202-3802



phone: 316-337-6200
fax: 316-337-6211
<http://kcc.ks.gov/>

Thomas E. Wright, Chairman
Ward Loyd, Commissioner

Corporation Commission

Sam Brownback, Governor

March 07, 2011

Randy Teter
Sirius Energy Corp.
526 COUNTRY PL, SOUTH
ABILENE, TX 79606-7032

Re: Drilling Pit Application
API 15-003-24900-00-00
West Van Winkle Q-22
NW/4 Sec.13-21S-20E
Anderson County, Kansas

Dear Randy Teter:

District staff has inspected the above referenced location and has determined that the reserve pit shall be constructed **without slots**, the bottom shall be flat and reasonably level, and the free fluids must be removed. The fluids are to be removed from the reserve pit as soon as practical after drilling operations have ceased.

If production casing is set all completion fluids shall be removed from the working pits daily. NO completion fluids or non-exempt wastes shall be placed in the reserve pit.

The fluids should be taken to an authorized disposal well. Please call the District Office at (620) 432-2300 when the fluids have been removed. Please file form CDP-5 (August 2008), Exploration and Production Waste Transfer, through KOLAR within 30 days of fluid removal.

A copy of this letter should be posted in the doghouse along with the approved Intent to Drill. If you have any questions or concerns please feel free to contact the District Office at (620) 432-2300.

OIL AND GAS LEASE

AGREEMENT, Made and entered into this 20th day of March, 1987, by and between Esther Van Winkle, a single person, Party of the first part, hereinafter called lessor and Roger Kent, Party of the second part, hereinafter called lessee.

WITNESSETH, That the said lessor, for and in consideration of One Dollar, cash in hand paid, receipt of which is hereby acknowledged, and of the covenants and agreements hereinafter contained on the part of lessee to be paid, kept and performed, has granted, demised, leased and let and by these presents does grant, demise, lease and let unto said lessee, for the sole and only purpose of mining and operating for oil and gas, and laying pipe lines, and building tanks, power stations and structures thereon to produce, save and take care of said products, all that certain tract of land situated in the County of Anderson, State of Kansas, described as follows, to-wit:

The Southwest Quarter (SW/4) of Section Thirteen (13), Township Twenty-one (21), Range Twenty (20);

Van Winkle West

The West Half (W/2) of the Northwest Quarter (NW/4) of Section Thirteen (13), Township Twenty-one (21), Range Twenty (20);

The East Half (E/2) of the Northeast Quarter (NE/4) of Section Fourteen (14), Township Twenty-one (21), Range Twenty (20); and,

Living B

An undivided 5/12ths of the East Half (E/2) of Section Thirteen (13), Township Twenty-one (21), Range Twenty (20) and the East Half (E/2) of the Northwest Quarter (NW/4) of Section Thirteen (13), Township Twenty-one (21), Range Twenty (20), all in Anderson County, Kansas.

It is agreed that this lease shall remain in full force for a term of one year from this date, and as long thereafter as oil or gas, or either of them, is produced from said land by the lessee.

In consideration of the premises the said lessee covenants and agrees:

1st. To deliver to the credit of lessor, free of cost, in the pipe line to which lessee may connect his wells, the equal one-eighth (1/8) part of all oil produced and saved from the leased premises.

2nd. To pay lessor for gas from each well where gas only is found the equal one-eighth (1/8) of the gross proceeds at the prevailing market rate, (but, as to gas sold by lessee, in no event more than one-eighth (1/8) of the proceeds received by lessee from such sales), for all gas used off the premises, said payments to be made monthly and lessor to have gas free of cost from any such well for all stoves and all inside lights in the principal dwelling house on said land during the same time by making his own connections with the well at his own risk and expense.

SOLE AND SUCCESSORS ATTORNEYS AT LAW 111 EAST FORTYTH STREET P.O. BOX 200 CHERRY, MO. 63009 314-409-0000

assign on 74 MCL Pg. 46 3-4-2004
for assign see 50 MCL Page 6 August 13, 1996
for assign see 40 MCL pg. 108A 12-16-1992
" " " " pg. 109 "

for assign on 45 MCL pg. 186A 1-30-1995

14 Oil Gas Page 67

for assign see 63 MCL Pg. 61 9-24-2001 Correct Pg. is 68
6/24/87 CJS.

3-31-04 for Assign on 201 Royalty for the 14 MCL pg. 97A
for MCL see 193 pg. 52 June 28, 2002
for 73 see 416 410 June 28, 2002
for Assign on See Vol. 27 MCL Page 151- May 18, 1987
for Assign on See Vol. 27 MCL Page 208 June 25, 1987
for Assign on See Vol. 27 MCL Page 103-A March 19, 1992
for Assign on See Vol. 27 MCL Page 38 July 7, 1992

3rd. To pay lessor for gas produced from any oil well and used off the premises, or for the manufacture of casing-head gasoline, one-eighth (1/8) of the proceeds at the prevailing market rate, (but, as to gas sold by lessee, in no event more than one-eighth (1/8) of the proceeds received by lessee from such sales), for the gas used, for the time during which such gas shall be used, said payments to be made monthly.

If said lessor owns a less interest in the above described land than the entire and undivided fee simple estate therein, then the royalties and rentals herein provided shall be paid the lessor only in the proportion which his interest bears to the whole and undivided fee, and the signing of this agreement shall be binding on each of the above named parties who sign, regardless of whether it is signed by any of the other parties.

Lessee shall have the right to use, free of cost, gas, oil, and water produced on said land for its operation thereon, except water from wells of lessor.

All lines, including electric lines, shall be buried below plow depth.

No well shall be drilled nearer than 200 feet to the house or barn now on said premises, without the written consent of the lessor.

Lessee shall have the right at any time to remove all machinery and fixtures placed on said premises, including the right to draw and remove casing.

If the lessee shall commence to drill a well within the term of this lease or any extension thereof, the lessee shall have the right to drill such well to completion with reasonable diligence and dispatch, and if oil or gas, or either of them, be found in paying quantities, this lease shall continue and be in force with the like effect as if such well had been completed within the term of years herein first mentioned.

If the estate of either party hereto is assigned, and the privilege of assigning in whole or in part is expressly allowed, the covenants hereof shall extend to their heirs, executors, administrators, successors or assigns, but no change in the ownership of the land or assignment of rentals or royalties shall be binding on the lessee until after the lessee has been furnished with a written transfer or assignment or a true copy thereof, and it is hereby agreed in the event this lease shall be assigned as to a part or as to parts of the above described lands and the assigns or assignees of such part or parts shall fail or make default in the payment of the proportionate part of the rents due from him or them, such default shall not operate to defeat or affect this lease in so far as it covers a part or parts of said lands upon which the said lessee or any assignee thereof shall make due payments of said rentals.

Lessor hereby warrants and agrees to defend the title to the lands herein described, and agrees that the lessee shall have the right at any time to redeem for lessor by payment, any mortgages, taxes or other liens on the above described lands, in the event of default of payment by lessor, and be subrogated to the rights of the holder thereof.

Page 3.
Oil and Gas Lease

All express or implied covenants of this lease shall be subject to all Federal and State Laws, Executive Orders, Rules or Regulations, and this lease shall not be terminated, in whole or in part, nor lessee held liable in damages, for failure to comply therewith, if compliance is prevented by, or if such failure is the result of, any such Law, Order, Rule or Regulation.

Whereof, witness our hands as of the day and year first above written.

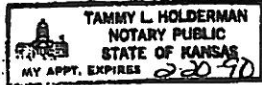
Esther Van Winkle
Esther Van Winkle

STATE OF KANSAS)
) SS:
COUNTY OF ANDERSON)

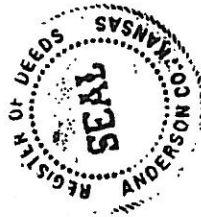
The foregoing instrument was acknowledged before me this 20th day of March, 1987, by Esther Van Winkle.

Tammy L. Holderman
Notary Public

Term Expires:
2-20-90



STATE OF KANSAS)
ANDERSON COUNTY)
This Just was filed for Record
on the 5th day of May, AD, 1987
at 2:10 P.M. and duly Recorded
for 14 Oil & Gas on Page 68
Constance J. Lettler
Deputy



14 Oil & Gas Page 68 e.s.