

T34S, R7W, 6th P.M.

SGOMI

Well location, ALBRIGHT CROFT FARM 3407 #15-2H, located as shown in the SW 1/4 SW 1/4 of Section 15, T34S, R7W, 6th P.M., Harper County, Kansas.

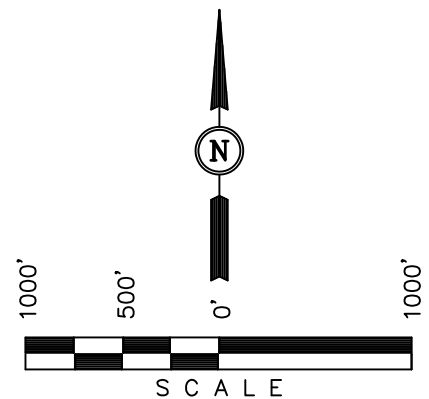
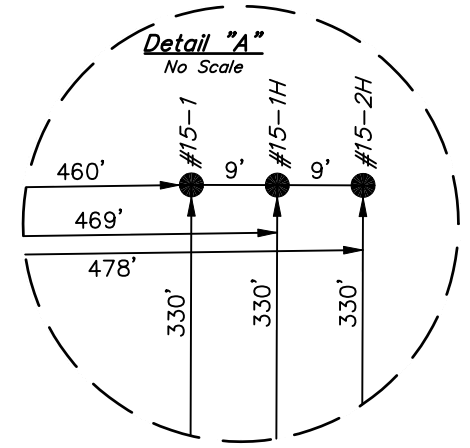
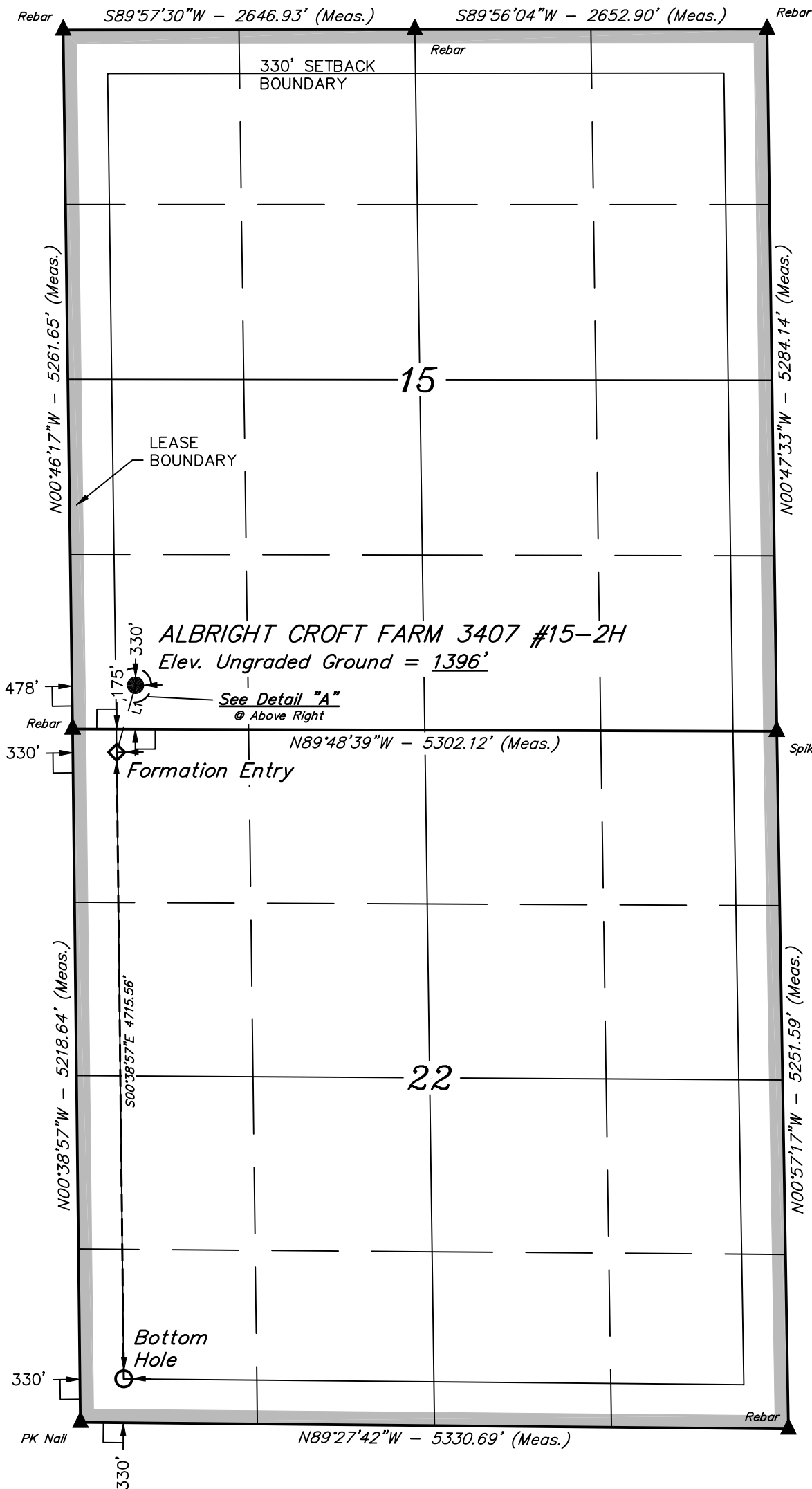
LINE TABLE		
LINE	BEARING	LENGTH
L1	S15°40'54"W	524.12'

BASIS OF ELEVATION

SPOT ELEVATION LOCATED AT THE NORTHEAST CORNER OF SECTION 22, T33S, R7W, 6th P.M. TAKEN FROM THE ANTHONY, QUADRANGLE, KANSAS, HARPER COUNTY, 7.5 MINUTE QUAD (TOPOGRAPHIC MAP) PUBLISHED BY THE UNITED STATES DEPARTMENT OF THE INTERIOR, GEOLOGICAL SURVEY. SAID ELEVATION IS MARKED AS BEING 1348 FEET.

BASIS OF BEARINGS

BASIS OF BEARINGS IS A G.P.S. OBSERVATION.



CERTIFICATE

THIS IS TO CERTIFY THAT THE ABOVE PLAT WAS PREPARED FROM FIELD NOTES OF ACTUAL SURVEYS MADE BY ME OR UNDER MY SUPERVISION AND THAT THE SAME ARE TRUE AND CORRECT TO THE BEST OF MY KNOWLEDGE AND BELIEF.

REGISTERED LAND SURVEYOR
REGISTRATION NO. 4386
STATE OF KANSAS

REVISED: 10-18-11

UINTAH ENGINEERING & LAND SURVEYING
85 SOUTH 200 EAST - VERNAL, UTAH 84078
(435) 789-1017

SCALE 1" = 1000'	DATE SURVEYED: 10-05-11	DATE DRAWN: 10-11-11
PARTY L.S. K.H. C.C.	REFERENCES G.L.O. PLAT	
WEATHER COOL	FILE SGOMI	

LEGEND:

- └─┘ = 90° SYMBOL
- = PROPOSED WELL HEAD.
- ▲ = SECTION CORNERS LOCATED.

NAD 83 (TARGET BOTTOM HOLE)	NAD 83 (FORMATION ENTRY)	NAD 83 (#15-2H SURFACE LOCATION)
LATITUDE = 37°03'58.64" (37.066290)	LATITUDE = 37°04'45.26" (37.079240)	LATITUDE = 37°04'50.25" (37.080626)
LONGITUDE = 98°04'24.59" (98.073498)	LONGITUDE = 98°04'25.23" (98.073675)	LONGITUDE = 98°04'23.48" (98.073189)
NAD 83 (TARGET BOTTOM HOLE)	NAD 27 (FORMATION ENTRY)	NAD 27 (#15-2H SURFACE LOCATION)
LATITUDE = 37°03'58.56" (37.066265)	LATITUDE = 37°04'45.18" (37.079216)	LATITUDE = 37°04'50.17" (37.080602)
LONGITUDE = 98°04'23.37" (98.073157)	LONGITUDE = 98°04'24.00" (98.073334)	LONGITUDE = 98°04'22.25" (98.072848)