



For KCC Use:
 Effective Date: _____
 District # _____
 SGA? Yes No

KANSAS CORPORATION COMMISSION 1081069
 OIL & GAS CONSERVATION DIVISION

Form C-1
 March 2010

Form must be Typed
 Form must be Signed
 All blanks must be Filled

NOTICE OF INTENT TO DRILL

Must be approved by KCC five (5) days prior to commencing well

Form KSONA-1, Certification of Compliance with the Kansas Surface Owner Notification Act, MUST be submitted with this form.

Expected Spud Date: _____
month day year

OPERATOR: License# _____
 Name: _____
 Address 1: _____
 Address 2: _____
 City: _____ State: _____ Zip: _____ + _____
 Contact Person: _____
 Phone: _____

CONTRACTOR: License# _____
 Name: _____

Well Drilled For:	Well Class:	Type Equipment:
<input type="checkbox"/> Oil	<input type="checkbox"/> Enh Rec	<input type="checkbox"/> Infield
<input type="checkbox"/> Gas	<input type="checkbox"/> Storage	<input type="checkbox"/> Pool Ext.
	<input type="checkbox"/> Disposal	<input type="checkbox"/> Wildcat
<input type="checkbox"/> Seismic ; _____ # of Holes	<input type="checkbox"/> Other	<input type="checkbox"/> Mud Rotary
<input type="checkbox"/> Other: _____		<input type="checkbox"/> Air Rotary
		<input type="checkbox"/> Cable
<input type="checkbox"/> If OWWO: old well information as follows:		

Operator: _____
 Well Name: _____
 Original Completion Date: _____ Original Total Depth: _____

Directional, Deviated or Horizontal wellbore? Yes No
 If Yes, true vertical depth: _____
 Bottom Hole Location: _____
 KCC DKT #: _____

Spot Description: _____
 _____ - _____ - _____ Sec. _____ Twp. _____ S. R. _____ E W
(Q/Q/Q/Q)
 _____ feet from N / S Line of Section
 _____ feet from E / W Line of Section
 Is SECTION: Regular Irregular?

(Note: Locate well on the Section Plat on reverse side)

County: _____
 Lease Name: _____ Well #: _____
 Field Name: _____
 Is this a Prorated / Spaced Field? Yes No
 Target Formation(s): _____
 Nearest Lease or unit boundary line (in footage): _____
 Ground Surface Elevation: _____ feet MSL
 Water well within one-quarter mile: Yes No
 Public water supply well within one mile: Yes No
 Depth to bottom of fresh water: _____
 Depth to bottom of usable water: _____
 Surface Pipe by Alternate: I II
 Length of Surface Pipe Planned to be set: _____
 Length of Conductor Pipe (if any): _____
 Projected Total Depth: _____
 Formation at Total Depth: _____
 Water Source for Drilling Operations:
 Well Farm Pond Other: _____
 DWR Permit #: _____
(Note: Apply for Permit with DWR)
 Will Cores be taken? Yes No
 If Yes, proposed zone: _____

AFFIDAVIT

The undersigned hereby affirms that the drilling, completion and eventual plugging of this well will comply with K.S.A. 55 et. seq.

It is agreed that the following minimum requirements will be met:

1. Notify the appropriate district office **prior** to spudding of well;
2. A copy of the approved notice of intent to drill **shall be** posted on each drilling rig;
3. The minimum amount of surface pipe as specified below **shall be set** by circulating cement to the top; in all cases surface pipe **shall be set** through all unconsolidated materials plus a minimum of 20 feet into the underlying formation.
4. If the well is dry hole, an agreement between the operator and the district office on plug length and placement is necessary **prior to plugging**;
5. The appropriate district office will be notified before well is either plugged or production casing is cemented in;
6. If an ALTERNATE II COMPLETION, production pipe shall be cemented from below any usable water to surface within **120 DAYS** of spud date. Or pursuant to Appendix "B" - Eastern Kansas surface casing order #133,891-C, which applies to the KCC District 3 area, alternate II cementing must be completed within 30 days of the spud date or the well shall be plugged. **In all cases, NOTIFY district office** prior to any cementing.

Submitted Electronically

For KCC Use ONLY

API # 15 - _____

Conductor pipe required _____ feet

Minimum surface pipe required _____ feet per ALT. I II

Approved by: _____

This authorization expires: _____
(This authorization void if drilling not started within 12 months of approval date.)

Spud date: _____ Agent: _____

Remember to:

- File Certification of Compliance with the Kansas Surface Owner Notification Act (KSONA-1) with Intent to Drill;
- File Drill Pit Application (form CDP-1) with Intent to Drill;
- File Completion Form ACO-1 within 120 days of spud date;
- File acreage attribution plat according to field proration orders;
- Notify appropriate district office 48 hours prior to workover or re-entry;
- Submit plugging report (CP-4) after plugging is completed (within 60 days);
- Obtain written approval before disposing or injecting salt water.
- If well will not be drilled or permit has expired (See: authorized expiration date) please check the box below and return to the address below.

Well will not be drilled or Permit Expired Date: _____
 Signature of Operator or Agent: _____

E
W



1081069

For KCC Use ONLY

API # 15 - _____

IN ALL CASES PLOT THE INTENDED WELL ON THE PLAT BELOW

In all cases, please fully complete this side of the form. Include items 1 through 5 at the bottom of this page.

Operator: _____

Lease: _____

Well Number: _____

Field: _____

Number of Acres attributable to well: _____

QTR/QTR/QTR/QTR of acreage: _____ - _____ - _____ - _____

Location of Well: County: _____

_____ feet from N / S Line of Section

_____ feet from E / W Line of Section

Sec. _____ Twp. _____ S. R. _____ E W

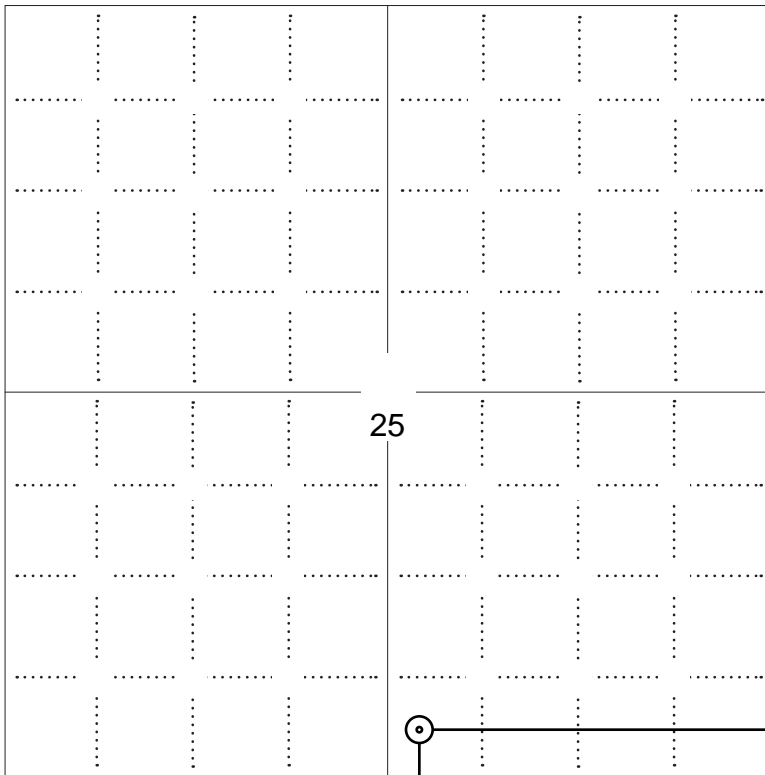
Is Section: Regular or Irregular

If Section is Irregular, locate well from nearest corner boundary.

Section corner used: NE NW SE SW

PLAT

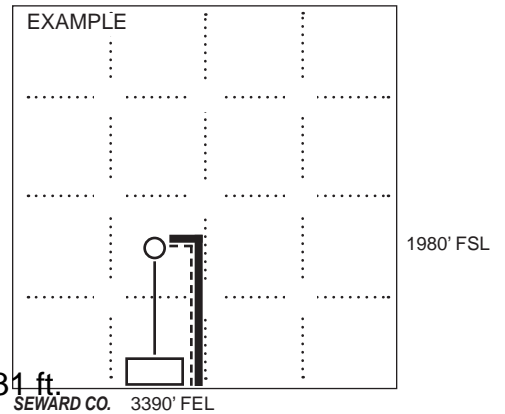
Show location of the well. Show footage to the nearest lease or unit boundary line. Show the predicted locations of lease roads, tank batteries, pipelines and electrical lines, as required by the Kansas Surface Owner Notice Act (House Bill 2032). You may attach a separate plat if desired.



NOTE: In all cases locate the spot of the proposed drilling locaton.

LEGEND

- Well Location
- Tank Battery Location
- Pipeline Location
- Electric Line Location
- Lease Road Location



In plotting the proposed location of the well, you must show:

1. The manner in which you are using the depicted plat by identifying section lines, i.e. 1 section, 1 section with 8 surrounding sections, 4 sections, etc.
2. The distance of the proposed drilling location from the south / north and east / west outside section lines.
3. The distance to the nearest lease or unit boundary line (in footage).
4. If proposed location is located within a prorated or spaced field a certificate of acreage attribution plat must be attached: (C0-7 for oil wells; CG-8 for gas wells).
5. The predicted locations of lease roads, tank batteries, pipelines, and electrical lines.



KANSAS CORPORATION COMMISSION 1081069
OIL & GAS CONSERVATION DIVISION

Form CDP-1
May 2010
Form must be Typed

APPLICATION FOR SURFACE PIT

Submit in Duplicate

Operator Name: _____		License Number: _____	
Operator Address: _____			
Contact Person: _____		Phone Number: _____	
Lease Name & Well No.: _____		Pit Location (QQQQ): _____ - _____ - _____ - _____	
Type of Pit: <input type="checkbox"/> Emergency Pit <input type="checkbox"/> Burn Pit <input type="checkbox"/> Settling Pit <input type="checkbox"/> Drilling Pit <input type="checkbox"/> Workover Pit <input type="checkbox"/> Haul-Off Pit <i>(If WP Supply API No. or Year Drilled)</i>		Pit is: <input type="checkbox"/> Proposed <input type="checkbox"/> Existing If Existing, date constructed: _____ Pit capacity: _____ (bbls)	
Is the pit located in a Sensitive Ground Water Area? <input type="checkbox"/> Yes <input type="checkbox"/> No		Chloride concentration: _____ mg/l <i>(For Emergency Pits and Settling Pits only)</i>	
Is the bottom below ground level? <input type="checkbox"/> Yes <input type="checkbox"/> No		Artificial Liner? <input type="checkbox"/> Yes <input type="checkbox"/> No	
How is the pit lined if a plastic liner is not used?		_____	
Pit dimensions (all but working pits): _____ Length (feet) _____ Width (feet) <input type="checkbox"/> N/A: Steel Pits Depth from ground level to deepest point: _____ (feet) <input type="checkbox"/> No Pit			
If the pit is lined give a brief description of the liner material, thickness and installation procedure.		Describe procedures for periodic maintenance and determining liner integrity, including any special monitoring.	
Distance to nearest water well within one-mile of pit: _____ feet Depth of water well _____ feet		Depth to shallowest fresh water _____ feet. Source of information: <input type="checkbox"/> measured <input type="checkbox"/> well owner <input type="checkbox"/> electric log <input type="checkbox"/> KDWR	
Emergency, Settling and Burn Pits ONLY: Producing Formation: _____ Number of producing wells on lease: _____ Barrels of fluid produced daily: _____ Does the slope from the tank battery allow all spilled fluids to flow into the pit? <input type="checkbox"/> Yes <input type="checkbox"/> No		Drilling, Workover and Haul-Off Pits ONLY: Type of material utilized in drilling/workover: _____ Number of working pits to be utilized: _____ Abandonment procedure: _____ _____ Drill pits must be closed within 365 days of spud date.	
Submitted Electronically			

KCC OFFICE USE ONLY			
Date Received: _____		Permit Number: _____	
Permit Date: _____		Lease Inspection: <input type="checkbox"/> Yes <input type="checkbox"/> No	
<input type="checkbox"/> Liner		<input type="checkbox"/> Steel Pit <input type="checkbox"/> RFAC <input type="checkbox"/> RFAS	



CERTIFICATION OF COMPLIANCE WITH THE KANSAS SURFACE OWNER NOTIFICATION ACT

This form must be submitted with all Forms C-1 (Notice of Intent to Drill); CB-1 (Cathodic Protection Borehole Intent); T-1 (Request for Change of Operator Transfer of Injection or Surface Pit Permit); and CP-1 (Well Plugging Application). Any such form submitted without an accompanying Form KSONA-1 will be returned.

Select the corresponding form being filed: C-1 (Intent) CB-1 (Cathodic Protection Borehole Intent) T-1 (Transfer) CP-1 (Plugging Application)

OPERATOR: License # _____
Name: _____
Address 1: _____
Address 2: _____
City: _____ State: _____ Zip: _____ + _____
Contact Person: _____
Phone: (_____) _____ Fax: (_____) _____
Email Address: _____

Well Location:
____ - ____ - ____ - ____ Sec. ____ Twp. ____ S. R. ____ East West
County: _____
Lease Name: _____ Well #: _____

If filing a Form T-1 for multiple wells on a lease, enter the legal description of the lease below:

Surface Owner Information:

Name: _____
Address 1: _____
Address 2: _____
City: _____ State: _____ Zip: _____ + _____

When filing a Form T-1 involving multiple surface owners, attach an additional sheet listing all of the information to the left for each surface owner. Surface owner information can be found in the records of the register of deeds for the county, and in the real estate property tax records of the county treasurer.

If this form is being submitted with a Form C-1 (Intent) or CB-1 (Cathodic Protection Borehole Intent), you must supply the surface owners and the KCC with a plat showing the predicted locations of lease roads, tank batteries, pipelines, and electrical lines. The locations shown on the plat are preliminary non-binding estimates. The locations may be entered on the Form C-1 plat, Form CB-1 plat, or a separate plat may be submitted.

Select one of the following:

- I certify that, pursuant to the Kansas Surface Owner Notice Act (House Bill 2032), I have provided the following to the surface owner(s) of the land upon which the subject well is or will be located: 1) a copy of the Form C-1, Form CB-1, Form T-1, or Form CP-1 that I am filing in connection with this form; 2) if the form being filed is a Form C-1 or Form CB-1, the plat(s) required by this form; and 3) my operator name, address, phone number, fax, and email address.
- I have not provided this information to the surface owner(s). I acknowledge that, because I have not provided this information, the KCC will be required to send this information to the surface owner(s). To mitigate the additional cost of the KCC performing this task, I acknowledge that I am being charged a \$30.00 handling fee, payable to the KCC, which is enclosed with this form.

If choosing the second option, submit payment of the \$30.00 handling fee with this form. If the fee is not received with this form, the KSONA-1 form and the associated Form C-1, Form CB-1, Form T-1, or Form CP-1 will be returned.

I Submitted Electronically

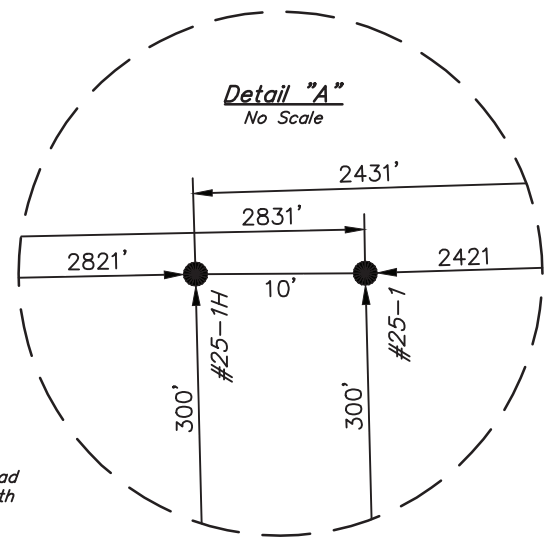
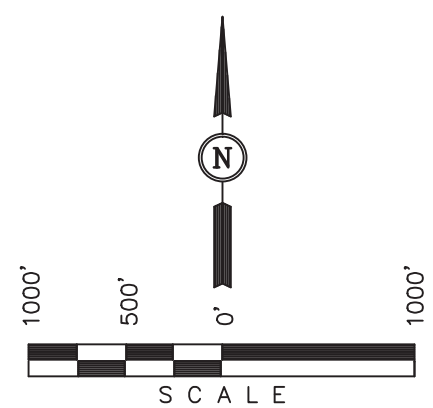
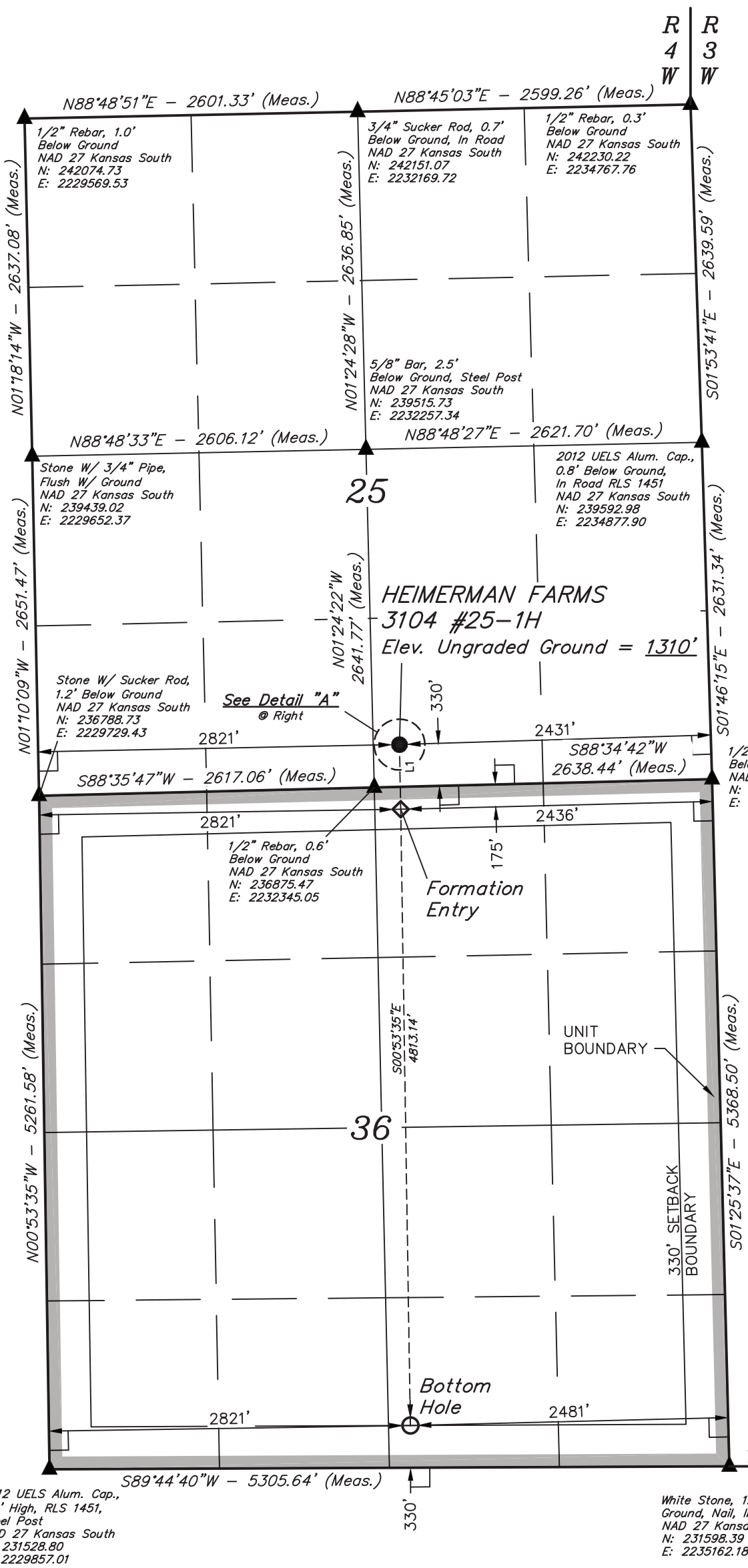
Well location, HEIMERMAN FARMS 3104 #25-1H, located as shown in the SW 1/4 SE 1/4 of Section 25, T31S, R4W, 6th P.M., Sumner County, Kansas.

BASIS OF ELEVATION

BLACK ELEVATION LOCATED AT THE NORTHEAST CORNER OF SECTION 25, T31S, R4W, 6th P.M. TAKEN FROM THE MILAN, QUADRANGLE, KANSAS, SUMNER COUNTY, 7.5 MINUTE QUAD (TOPOGRAPHIC MAP) PUBLISHED BY THE UNITED STATES DEPARTMENT OF THE INTERIOR, GEOLOGICAL SURVEY. SAID ELEVATION IS MARKED AS BEING 1333 FEET.

BASIS OF BEARINGS

BASIS OF BEARINGS IS A G.P.S. OBSERVATION.



LINE TABLE		
LINE	DIRECTION	LENGTH
L1	S01°05'01"E	505.22'

- LEGEND:**
- └─┘ = 90° SYMBOL
 - = PROPOSED WELL HEAD.
 - ▲ = SECTION CORNERS LOCATED.

CERTIFICATE

THIS IS TO CERTIFY THAT THE ABOVE PLAT WAS PREPARED FROM FIELD NOTES OF ACTUAL SURVEYS MADE BY ME OR UNDER MY SUPERVISION AND THAT THE SAME ARE TRUE AND CORRECT TO THE BEST OF MY KNOWLEDGE AND BELIEF.

Justin J. ...
 REGISTERED LAND SURVEYOR
 REGISTRATION NO. 1451
 STATE OF KANSAS 05-02-12

REVISED: 04-30-12

UINTAH ENGINEERING & LAND SURVEYING
 85 SOUTH 200 EAST - VERNAL, UTAH 84078
 (435) 789-1017

SCALE 1" = 1000'	DATE SURVEYED: 04-10-12	DATE DRAWN: 04-17-12
PARTY L.S. J.P. C.C.	REFERENCES G.L.O. PLAT	
WEATHER WARM	FILE SGOMI	

NAD 83 (#25-1H TARGET BOTTOM HOLE)	NAD 83 (#25-1H FORMATION ENTRY)	NAD 83 (#25-1H SURFACE LOCATION)
LATITUDE = 37°18'02.95" (37.300819) LONGITUDE = 97°42'01.61" (97.700447)	LATITUDE = 37°18'50.53" (37.314036) LONGITUDE = 97°42'02.54" (97.700706)	LATITUDE = 37°18'55.52" (37.315422) LONGITUDE = 97°42'02.66" (97.700739)
NAD 27 (#25-1H TARGET BOTTOM HOLE)	NAD 27 (#25-1H FORMATION ENTRY)	NAD 27 (#25-1H SURFACE LOCATION)
LATITUDE = 37°18'02.88" (37.300800) LONGITUDE = 97°42'00.42" (97.700117)	LATITUDE = 37°18'50.46" (37.314017) LONGITUDE = 97°42'01.36" (97.700378)	LATITUDE = 37°18'55.45" (37.315403) LONGITUDE = 97°42'01.48" (97.700411)
STATE PLANE NAD 27 (KANSAS SOUTH) N: 231895.72 E: 2232669.63	STATE PLANE NAD 27 (KANSAS SOUTH) N: 236707.34 E: 2232552.92	STATE PLANE NAD 27 (KANSAS SOUTH) N: 237212.36 E: 2232538.99

SGOMI

LOCATION LAYOUT FOR

HEIMERMAN FARMS 3104 #25-1 & #25-1H
SECTION 25, T31S, R4W, 6th P.M.
SW 1/4 SE 1/4

FIGURE #1

SCALE: 1" = 60'

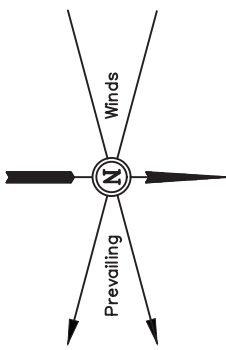
DATE: 04-30-12

DRAWN BY: C.C.

VERSION: 1.0

REVISED:

REVISED BY:



AREA OF MAX. DISTURBANCE

NOTE:
Berm Designed @ 5'
Above Grade, Adjust as
Needed After Determining
Ground Water Depth

F-2.0'
El. 307.5'

Sta. 5+50

NOTE:
CONSTRUCT DIVERSION
DITCH AT EDGE OF
LOCATION AS NEEDED

NOTE:
Earthwork Calculations Require a
Fill @ the Location Stakes
For Balance. All Fill is to be
Compacted to a Minimum of 95%
of the Maximum Dry Density
Obtained by AASHTO Method t-99.

±1% Slope

Formation
Entry

S00°53'35"E - 4813.14'
(To Bottom Hole)

S01°05'01"E - 505.22'
(To Formation Entry)

Sta. 3+25

S01°01'27"E - 302.84'
(To Benchmark)

#25-1H

F-1.2'
El. 309.7'

Cut/Fill
Transition Line

RIG AREA (LEVEL)
FINISH GROUND ELEV. 1310.9'
PAD SHOULD SLOPE AS
SHOWN

Sta. 1+00

FACILITY AREA (LEVEL)
FINISH GROUND ELEV. 1309.6'
PAD SHOULD SLOPE AS
SHOWN

C-3.6'
El. 313.2'

"A"

C-2.2'
El. 311.8'

Approx.
Top of
Cut Slope

Sta. 0+00

C-2.8'
El. 312.3'

C-4.4'
El. 313.9'
Proposed
Access Road

"B"

Proposed
Truck Turnaround

El. 310.6'
C-4.7'
(Btm. Pit)

F-6.6'
(Top Berm)

15' WIDE BERM

170'

FRESH WATER PIT
(10' Depth at Shallow End,
Sloping down at -1.5% to
14.3' at Deep End)

Total Pit Capacity
W/2' of Freeboard
= 77,090 Bbls.±
Total Pit Volume
= 20,250 Cu. Yds

±1.5% Slope
@ Bottom of Pit

12' WIDE BERM

El. 311.0'
F-4.9'
(Top Berm)

El. 312.0'
C-10.4'
(Btm. Pit)
F-3.9'
(Top Berm)

Approx.
Toe of
Fill Slope

Sta. 0+12

BEARINGS AND DISTANCES FROM BENCHMARK TO STAKED POSITIONS		
STAKED POSITION	BEARING	DISTANCE
#25-1 LOCATION STAKE	N01°01'27"W	302.84'
#25-1H LOCATION STAKE	N02°54'43"W	303.13'
PAD CORNER 1	N29°12'35"E	450.07'
PAD CORNER 2	N67°07'31"E	238.42'
PAD CORNER 3	N68°03'31"W	248.35'
PAD CORNER 4	N30°23'49"W	455.41'
PIT CORNER A	N26°27'34"W	483.58'
PAD CORNER B	N19°39'44"W	640.12'
PAD CORNER C	N12°35'31"E	617.67'
PAD CORNER D	N17°16'51"E	453.37'
NE FACILITIES CORNER	N39°08'11"E	506.52'
SE FACILITIES CORNER	N73°48'53"E	332.97'

Elev. Ungraded Ground At #25-1 Loc. Stake = 1309.7'
FINISHED GRADE ELEV. AT #25-1 LOC. STAKE = 1310.9'

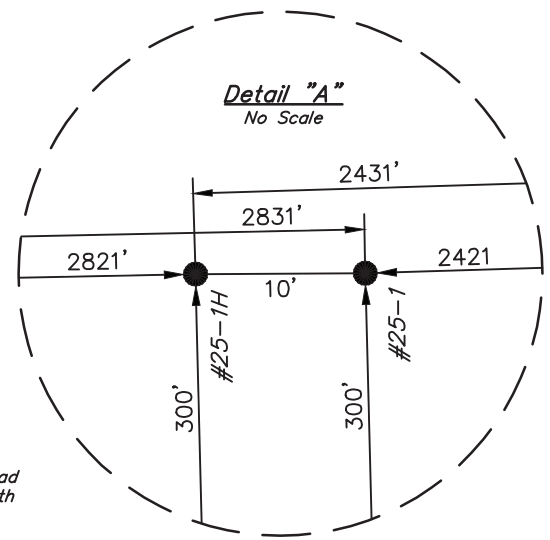
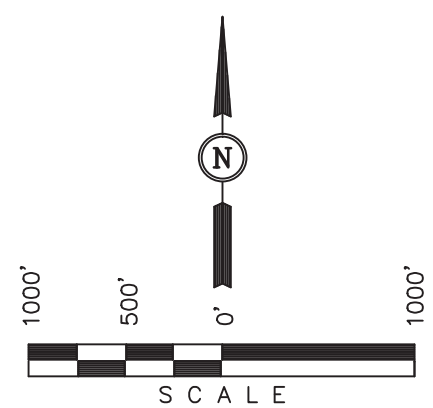
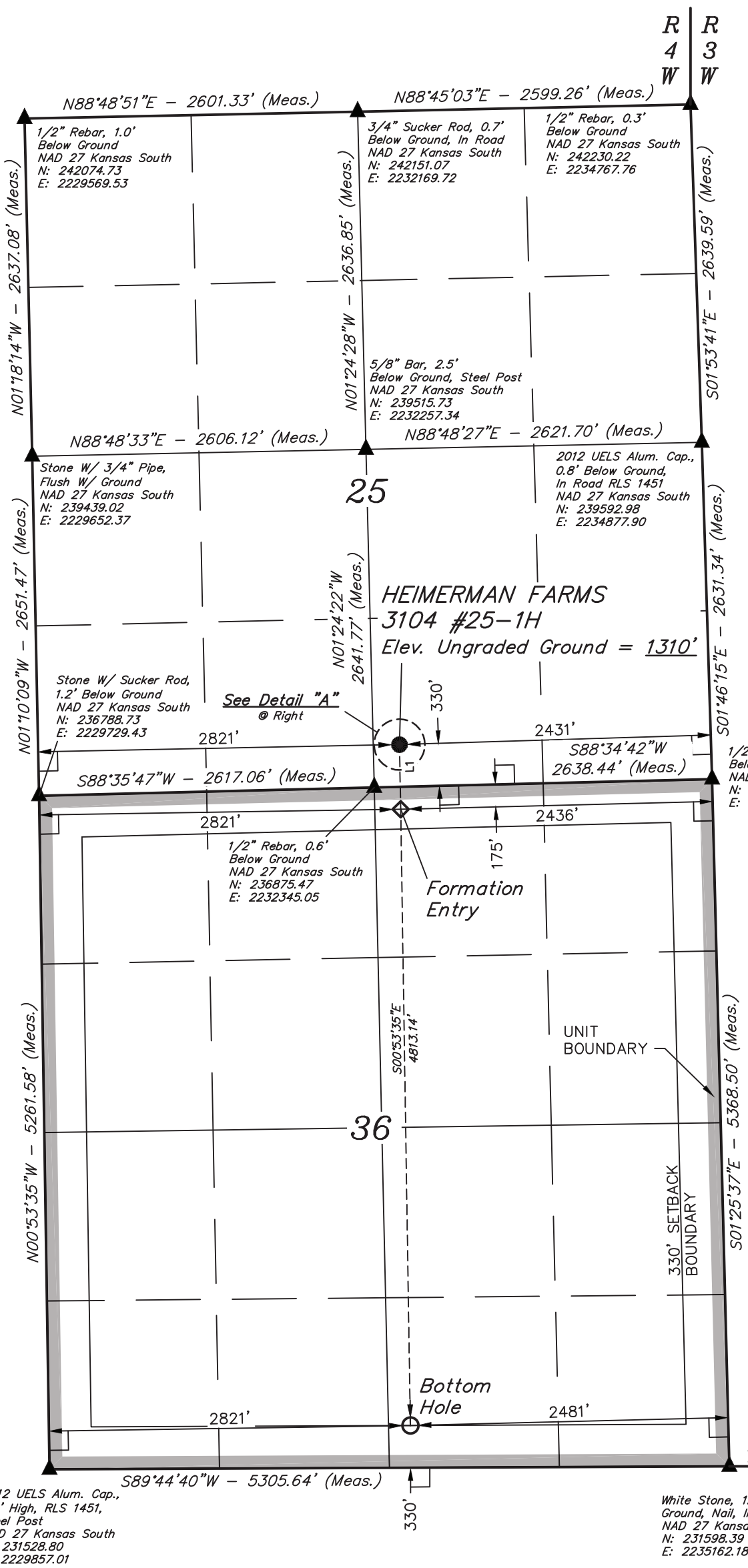
Well location, HEIMERMAN FARMS 3104 #25-1H, located as shown in the SW 1/4 SE 1/4 of Section 25, T31S, R4W, 6th P.M., Sumner County, Kansas.

BASIS OF ELEVATION

BLACK ELEVATION LOCATED AT THE NORTHEAST CORNER OF SECTION 25, T31S, R4W, 6th P.M. TAKEN FROM THE MILAN, QUADRANGLE, KANSAS, SUMNER COUNTY, 7.5 MINUTE QUAD (TOPOGRAPHIC MAP) PUBLISHED BY THE UNITED STATES DEPARTMENT OF THE INTERIOR, GEOLOGICAL SURVEY. SAID ELEVATION IS MARKED AS BEING 1333 FEET.

BASIS OF BEARINGS

BASIS OF BEARINGS IS A G.P.S. OBSERVATION.



LINE TABLE		
LINE	DIRECTION	LENGTH
L1	S01°05'01"E	505.22'

- LEGEND:**
- └─┘ = 90° SYMBOL
 - = PROPOSED WELL HEAD.
 - ▲ = SECTION CORNERS LOCATED.

CERTIFICATE

THIS IS TO CERTIFY THAT THE ABOVE PLAT WAS PREPARED FROM FIELD NOTES OF ACTUAL SURVEYS MADE BY ME OR UNDER MY SUPERVISION AND THAT THE SAME ARE TRUE AND CORRECT TO THE BEST OF MY KNOWLEDGE AND BELIEF.

Justin J. ...
 REGISTERED LAND SURVEYOR
 REGISTRATION NO. 1451
 STATE OF KANSAS 05-02-12

REVISED: 04-30-12

UINTAH ENGINEERING & LAND SURVEYING
 85 SOUTH 200 EAST - VERNAL, UTAH 84078
 (435) 789-1017

SCALE 1" = 1000'	DATE SURVEYED: 04-10-12	DATE DRAWN: 04-17-12
PARTY L.S. J.P. C.C.	REFERENCES G.L.O. PLAT	
WEATHER WARM	FILE SGOMI	

NAD 83 (#25-1H TARGET BOTTOM HOLE)	NAD 83 (#25-1H FORMATION ENTRY)	NAD 83 (#25-1H SURFACE LOCATION)
LATITUDE = 37°18'02.95" (37.300819) LONGITUDE = 97°42'01.61" (97.700447)	LATITUDE = 37°18'50.53" (37.314036) LONGITUDE = 97°42'02.54" (97.700706)	LATITUDE = 37°18'55.52" (37.315422) LONGITUDE = 97°42'02.66" (97.700739)
NAD 27 (#25-1H TARGET BOTTOM HOLE)	NAD 27 (#25-1H FORMATION ENTRY)	NAD 27 (#25-1H SURFACE LOCATION)
LATITUDE = 37°18'02.88" (37.300800) LONGITUDE = 97°42'00.42" (97.700117)	LATITUDE = 37°18'50.46" (37.314017) LONGITUDE = 97°42'01.36" (97.700378)	LATITUDE = 37°18'55.45" (37.315403) LONGITUDE = 97°42'01.48" (97.700411)
STATE PLANE NAD 27 (KANSAS SOUTH) N: 231895.72 E: 2232669.63	STATE PLANE NAD 27 (KANSAS SOUTH) N: 236707.34 E: 2232552.92	STATE PLANE NAD 27 (KANSAS SOUTH) N: 237212.36 E: 2232538.99

Conservation Division
Finney State Office Building
130 S. Market, Rm. 2078
Wichita, KS 67202-3802



Phone: 316-337-6200
Fax: 316-337-6211
<http://kcc.ks.gov/>

Mark Sievers, Chairman
Ward Loyd, Commissioner
Thomas E. Wright, Commissioner

Sam Brownback, Governor

June 05, 2012

Damonic Pierson
Shell Gulf of Mexico Inc.
150 N DAIRY-ASHFORD (77079)
PO BOX 576 (77001-0576)
HOUSTON, TX 77001-0576

Re: Drilling Pit Application
HEIMERMANN FARMS 3104 25-1H
SE/4 Sec.25-31S-04W
Sumner County, Kansas

Dear Damonic Pierson:

According to the drilling pit application referenced above, this pit is to be used for fresh water only. A closed loop system is to be utilized.

If you have any questions or concerns please feel free to contact the District Office at (316) 630-4000.