

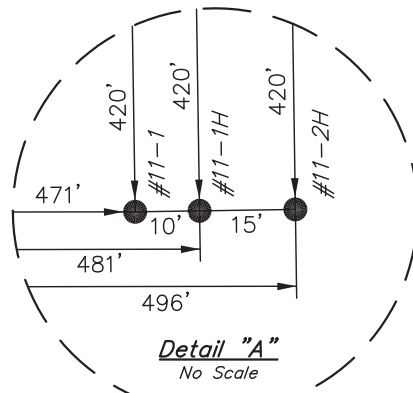
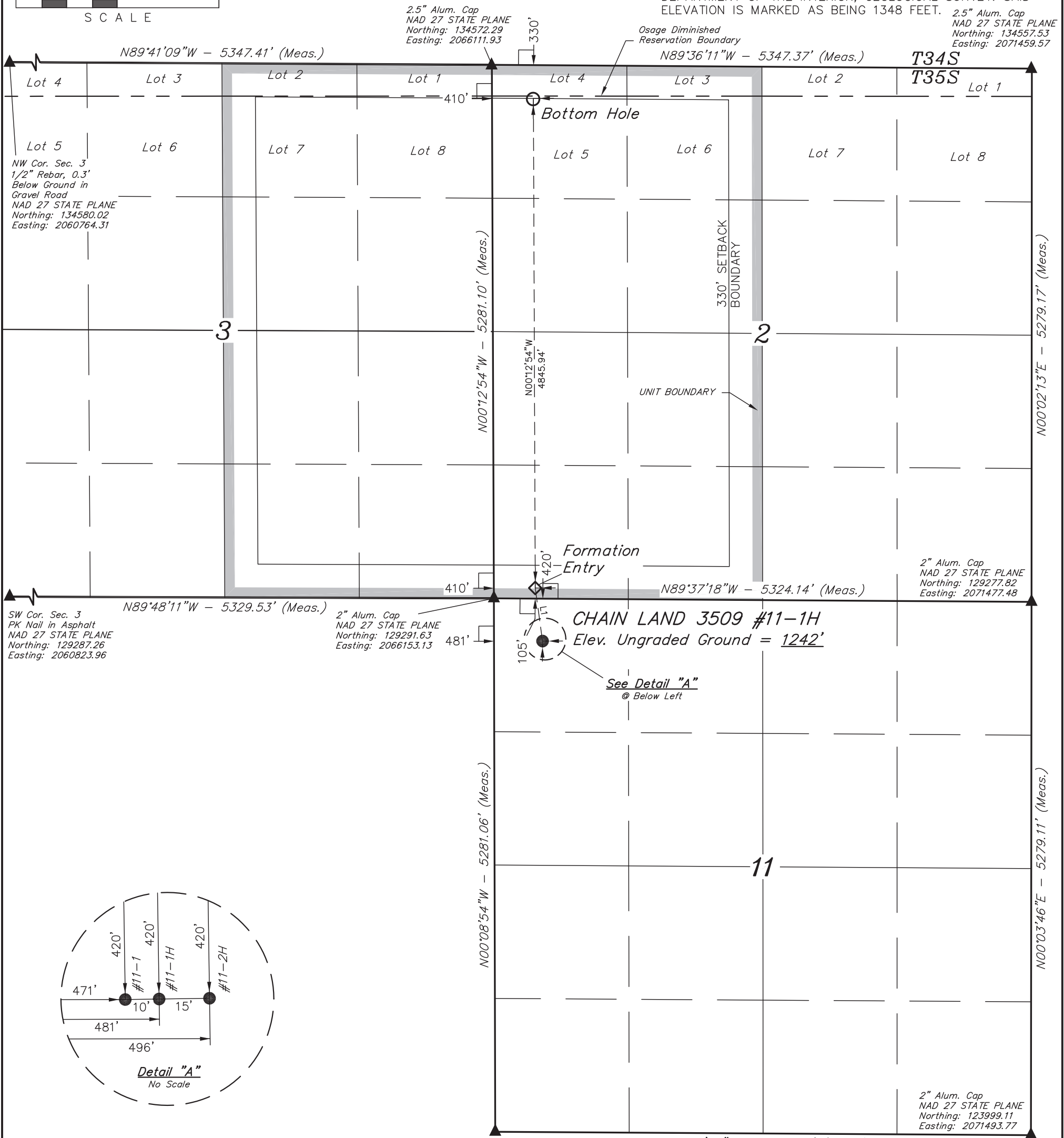
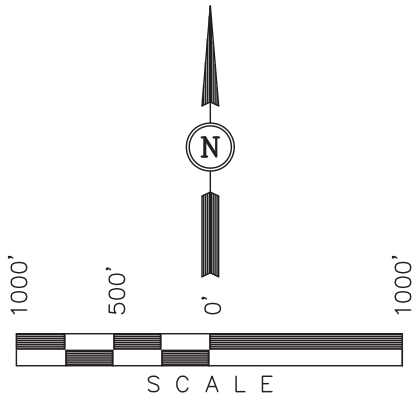
T35S, R9W, 6th P.M.

SGOMI

Well location, CHAIN LAND 3509 #11-1H, located as shown in the NW 1/4 NW 1/4 of Section 11, T35S, R9W, 6th P.M., Harper County, Kansas.

BASIS OF ELEVATION

SPOT ELEVATION LOCATED AT THE NORTHEAST CORNER OF SECTION 22, T33S, R7W, 6th P.M. TAKEN FROM THE ANTHONY, QUADRANGLE, KANSAS, HARPER COUNTY, 7.5 MINUTE QUAD (TOPOGRAPHIC MAP) PUBLISHED BY THE UNITED STATES DEPARTMENT OF THE INTERIOR, GEOLOGICAL SURVEY. SAID ELEVATION IS MARKED AS BEING 1348 FEET.



LINE TABLE		
LINE	DIRECTION	LENGTH
L1	N07°50'15"W	530.66'

BASIS OF BEARINGS

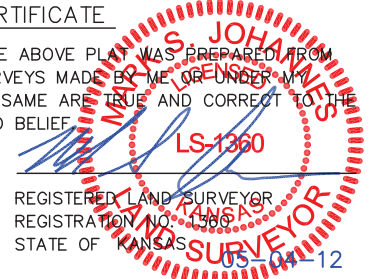
BASIS OF BEARINGS IS A G.P.S. OBSERVATION.

LEGEND:

- └─┘ = 90° SYMBOL
- = PROPOSED WELL HEAD.
- ▲ = SECTION CORNERS LOCATED.

CERTIFICATE

THIS IS TO CERTIFY THAT THE ABOVE PLAT WAS PREPARED FROM FIELD NOTES OF ACTUAL SURVEYS MADE BY ME OR UNDER MY SUPERVISION AND THAT THE SAME ARE TRUE AND CORRECT TO THE BEST OF MY KNOWLEDGE AND BELIEF.



REV: 04-30-12 J.J.
REVISED: 02-14-12

UINTAH ENGINEERING & LAND SURVEYING
85 SOUTH 200 EAST - VERNAL, UTAH 84078
(435) 789-1017

SCALE 1" = 1000'	DATE SURVEYED: 01-08-12	DATE DRAWN: 01-19-12
PARTY L.S. D.S. C.C.	REFERENCES G.L.O. PLAT	
WEATHER COLD	FILE SGOMI	

NAD 83 (#11-1H TARGET BOTTOM HOLE)	NAD 83 (#11-1H FORMATION ENTRY)	NAD 83 (#11-1H SURFACE LOCATION)
LATITUDE = 37°02'06.51" (37.035142) LONGITUDE = 98°16'20.86" (98.272461)	LATITUDE = 37°01'18.60" (37.021833) LONGITUDE = 98°16'20.54" (98.272372)	LATITUDE = 37°01'13.40" (37.020389) LONGITUDE = 98°16'19.63" (98.272119)
NAD 27 (#11-1H TARGET BOTTOM HOLE)	NAD 27 (#11-1H FORMATION ENTRY)	NAD 27 (#11-1H SURFACE LOCATION)
LATITUDE = 37°02'06.42" (37.035117) LONGITUDE = 98°16'19.61" (98.272114)	LATITUDE = 37°01'18.50" (37.021806) LONGITUDE = 98°16'19.29" (98.272025)	LATITUDE = 37°01'13.31" (37.020364) LONGITUDE = 98°16'18.38" (98.271772)
STATE PLANE NAD 27	STATE PLANE NAD 27	STATE PLANE NAD 27
N: 134241.67 E: 2066524.68	N: 129395.68 E: 2066562.50	N: 128870.07 E: 2066637.65