



1088600

For KCC Use ONLY

API # 15 - _____

IN ALL CASES PLOT THE INTENDED WELL ON THE PLAT BELOW

In all cases, please fully complete this side of the form. Include items 1 through 5 at the bottom of this page.

Operator: _____

Lease: _____

Well Number: _____

Field: _____

Number of Acres attributable to well: _____

QTR/QTR/QTR/QTR of acreage: _____ - _____ - _____ - _____

Location of Well: County: _____

_____ feet from N / S Line of Section

_____ feet from E / W Line of Section

Sec. _____ Twp. _____ S. R. _____ E W

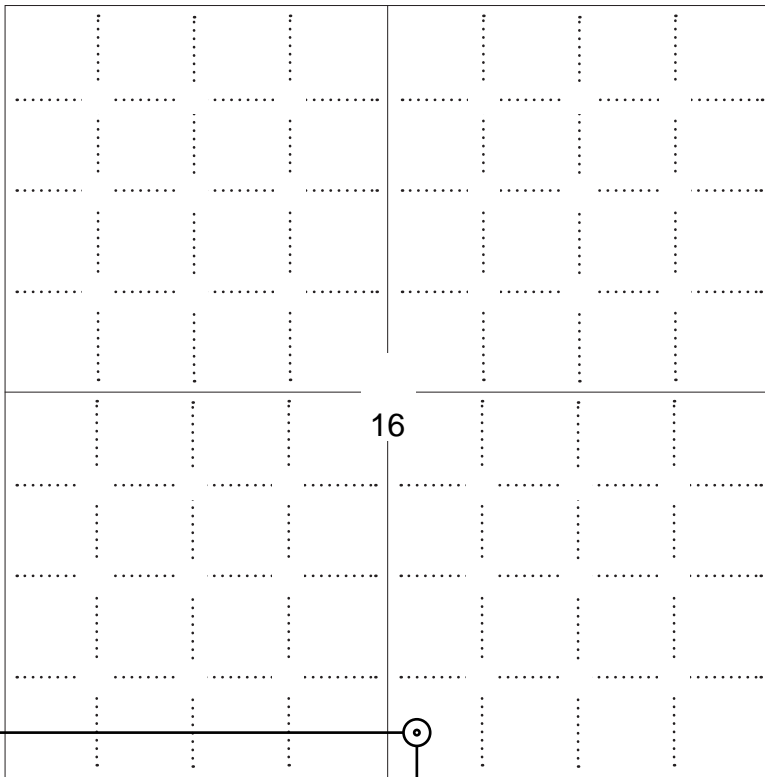
Is Section: Regular or Irregular

If Section is Irregular, locate well from nearest corner boundary.

Section corner used: NE NW SE SW

PLAT

Show location of the well. Show footage to the nearest lease or unit boundary line. Show the predicted locations of lease roads, tank batteries, pipelines and electrical lines, as required by the Kansas Surface Owner Notice Act (House Bill 2032). You may attach a separate plat if desired.



NOTE: In all cases locate the spot of the proposed drilling locaton.

LEGEND

- Well Location
- Tank Battery Location
- Pipeline Location
- Electric Line Location
- Lease Road Location



In plotting the proposed location of the well, you must show:

1. The manner in which you are using the depicted plat by identifying section lines, i.e. 1 section, 1 section with 8 surrounding sections, 4 sections, etc.
2. The distance of the proposed drilling location from the south / north and east / west outside section lines.
3. The distance to the nearest lease or unit boundary line (in footage).
4. If proposed location is located within a prorated or spaced field a certificate of acreage attribution plat must be attached: (C0-7 for oil wells; CG-8 for gas wells).
5. The predicted locations of lease roads, tank batteries, pipelines, and electrical lines.



KANSAS CORPORATION COMMISSION 1088600
OIL & GAS CONSERVATION DIVISION

Form CDP-1
May 2010
Form must be Typed

APPLICATION FOR SURFACE PIT

Submit in Duplicate

Operator Name: _____		License Number: _____	
Operator Address: _____			
Contact Person: _____		Phone Number: _____	
Lease Name & Well No.: _____		Pit Location (QQQQ): _____-_____-_____-_____	
Type of Pit: <input type="checkbox"/> Emergency Pit <input type="checkbox"/> Burn Pit <input type="checkbox"/> Settling Pit <input type="checkbox"/> Drilling Pit <input type="checkbox"/> Workover Pit <input type="checkbox"/> Haul-Off Pit <i>(If WP Supply API No. or Year Drilled)</i>		Pit is: <input type="checkbox"/> Proposed <input type="checkbox"/> Existing If Existing, date constructed: _____ Pit capacity: _____ (bbls)	
Is the pit located in a Sensitive Ground Water Area? <input type="checkbox"/> Yes <input type="checkbox"/> No		Chloride concentration: _____ mg/l <i>(For Emergency Pits and Settling Pits only)</i>	
Is the bottom below ground level? <input type="checkbox"/> Yes <input type="checkbox"/> No		Artificial Liner? <input type="checkbox"/> Yes <input type="checkbox"/> No	
How is the pit lined if a plastic liner is not used?			
Pit dimensions (all but working pits): _____ Length (feet) _____ Width (feet) <input type="checkbox"/> N/A: Steel Pits Depth from ground level to deepest point: _____ (feet) <input type="checkbox"/> No Pit			
If the pit is lined give a brief description of the liner material, thickness and installation procedure.		Describe procedures for periodic maintenance and determining liner integrity, including any special monitoring.	
Distance to nearest water well within one-mile of pit: _____ feet Depth of water well _____ feet		Depth to shallowest fresh water _____ feet. Source of information: <input type="checkbox"/> measured <input type="checkbox"/> well owner <input type="checkbox"/> electric log <input type="checkbox"/> KDWR	
Emergency, Settling and Burn Pits ONLY: Producing Formation: _____ Number of producing wells on lease: _____ Barrels of fluid produced daily: _____ Does the slope from the tank battery allow all spilled fluids to flow into the pit? <input type="checkbox"/> Yes <input type="checkbox"/> No		Drilling, Workover and Haul-Off Pits ONLY: Type of material utilized in drilling/workover: _____ Number of working pits to be utilized: _____ Abandonment procedure: _____ Drill pits must be closed within 365 days of spud date.	
<p>Submitted Electronically</p>			

KCC OFFICE USE ONLY

Liner Steel Pit RFAC RFAS

Date Received: _____ Permit Number: _____ Permit Date: _____ Lease Inspection: Yes No



CERTIFICATION OF COMPLIANCE WITH THE KANSAS SURFACE OWNER NOTIFICATION ACT

This form must be submitted with all Forms C-1 (Notice of Intent to Drill); CB-1 (Cathodic Protection Borehole Intent); T-1 (Request for Change of Operator Transfer of Injection or Surface Pit Permit); and CP-1 (Well Plugging Application). Any such form submitted without an accompanying Form KSONA-1 will be returned.

Select the corresponding form being filed: C-1 (Intent) CB-1 (Cathodic Protection Borehole Intent) T-1 (Transfer) CP-1 (Plugging Application)

OPERATOR: License # _____
Name: _____
Address 1: _____
Address 2: _____
City: _____ State: _____ Zip: _____ + _____
Contact Person: _____
Phone: (_____) _____ Fax: (_____) _____
Email Address: _____

Well Location:
____ - ____ - ____ - ____ Sec. ____ Twp. ____ S. R. ____ East West
County: _____
Lease Name: _____ Well #: _____

If filing a Form T-1 for multiple wells on a lease, enter the legal description of the lease below:

Surface Owner Information:

Name: _____
Address 1: _____
Address 2: _____
City: _____ State: _____ Zip: _____ + _____

When filing a Form T-1 involving multiple surface owners, attach an additional sheet listing all of the information to the left for each surface owner. Surface owner information can be found in the records of the register of deeds for the county, and in the real estate property tax records of the county treasurer.

If this form is being submitted with a Form C-1 (Intent) or CB-1 (Cathodic Protection Borehole Intent), you must supply the surface owners and the KCC with a plat showing the predicted locations of lease roads, tank batteries, pipelines, and electrical lines. The locations shown on the plat are preliminary non-binding estimates. The locations may be entered on the Form C-1 plat, Form CB-1 plat, or a separate plat may be submitted.

Select one of the following:

- I certify that, pursuant to the Kansas Surface Owner Notice Act (House Bill 2032), I have provided the following to the surface owner(s) of the land upon which the subject well is or will be located: 1) a copy of the Form C-1, Form CB-1, Form T-1, or Form CP-1 that I am filing in connection with this form; 2) if the form being filed is a Form C-1 or Form CB-1, the plat(s) required by this form; and 3) my operator name, address, phone number, fax, and email address.
- I have not provided this information to the surface owner(s). I acknowledge that, because I have not provided this information, the KCC will be required to send this information to the surface owner(s). To mitigate the additional cost of the KCC performing this task, I acknowledge that I am being charged a \$30.00 handling fee, payable to the KCC, which is enclosed with this form.

If choosing the second option, submit payment of the \$30.00 handling fee with this form. If the fee is not received with this form, the KSONA-1 form and the associated Form C-1, Form CB-1, Form T-1, or Form CP-1 will be returned.

I Submitted Electronically

Well location, SCHUPBACH 3510 #16-1H, located as shown in Lot 1 of Section 16, T35S, R10W, 6th P.M., Barber County, Kansas.

BASIS OF ELEVATION

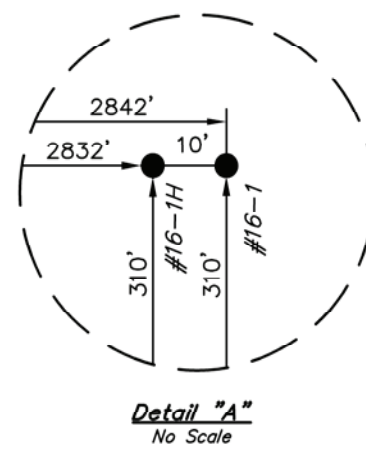
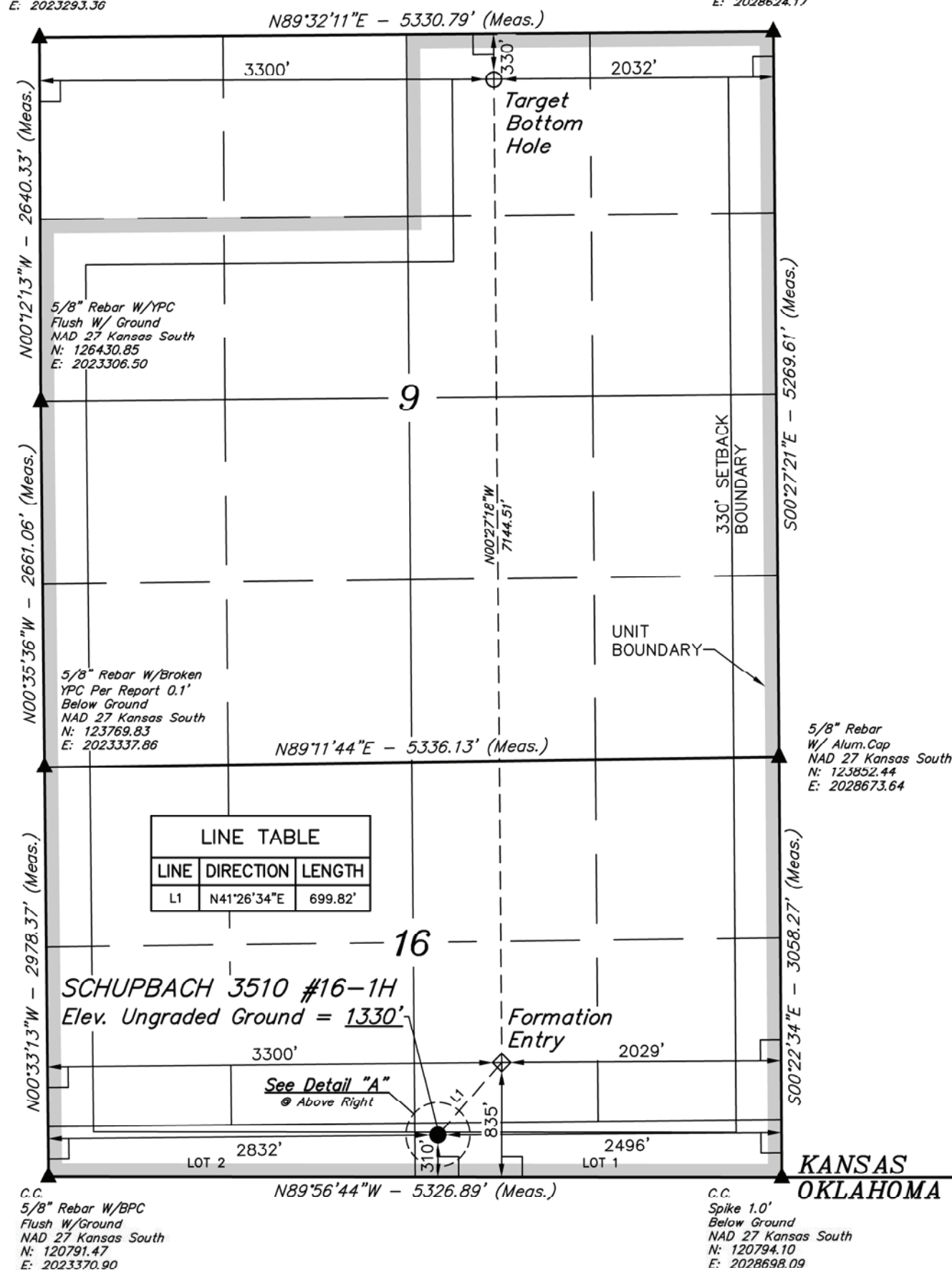
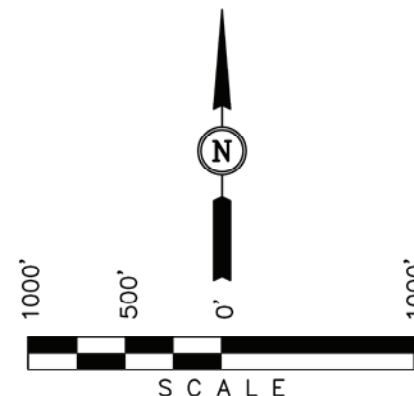
SPOT ELEVATION LOCATED AT THE SOUTHWEST CORNER OF SECTION 12, T35S, R10W, 6th P.M. TAKEN FROM THE CORWIN, QUADRANGLE, KANSAS, 7.5 MINUTE QUAD (TOPOGRAPHIC MAP) PUBLISHED BY THE UNITED STATES DEPARTMENT OF THE INTERIOR, GEOLOGICAL SURVEY. SAID ELEVATION IS MARKED AS BEING 1274 FEET.

BASIS OF BEARINGS

BASIS OF BEARINGS IS A G.P.S. OBSERVATION.

1/2" Pipe, 0.4' Below Ground in Asphalt
NAD 27 Kansas South
N: 129071.28
E: 2023293.36

Spike 0.1' Below Ground
NAD 27 Kansas South
N: 129122.10
E: 2028624.17



Detail "A"
No Scale

CERTIFICATE
THIS IS TO CERTIFY THAT THE ABOVE PLAT WAS PREPARED FROM FIELD NOTES OF ACTUAL SURVEYS MADE BY ME OR UNDER MY SUPERVISION AND THAT THE SAME ARE TRUE AND CORRECT TO THE BEST OF MY KNOWLEDGE AND BELIEF.

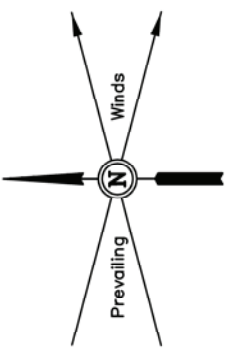
REGISTERED LAND SURVEYOR
REGISTRATION NO. 1455
STATE OF KANSAS
JULIUS C. JUSTIN

- LEGEND:**
- └─┘ = 90° SYMBOL
 - = PROPOSED WELL HEAD.
 - ▲ = SECTION CORNERS LOCATED.

UINTAH ENGINEERING & LAND SURVEYING
85 SOUTH 200 EAST - VERNAL, UTAH 84078
(435) 789-1017

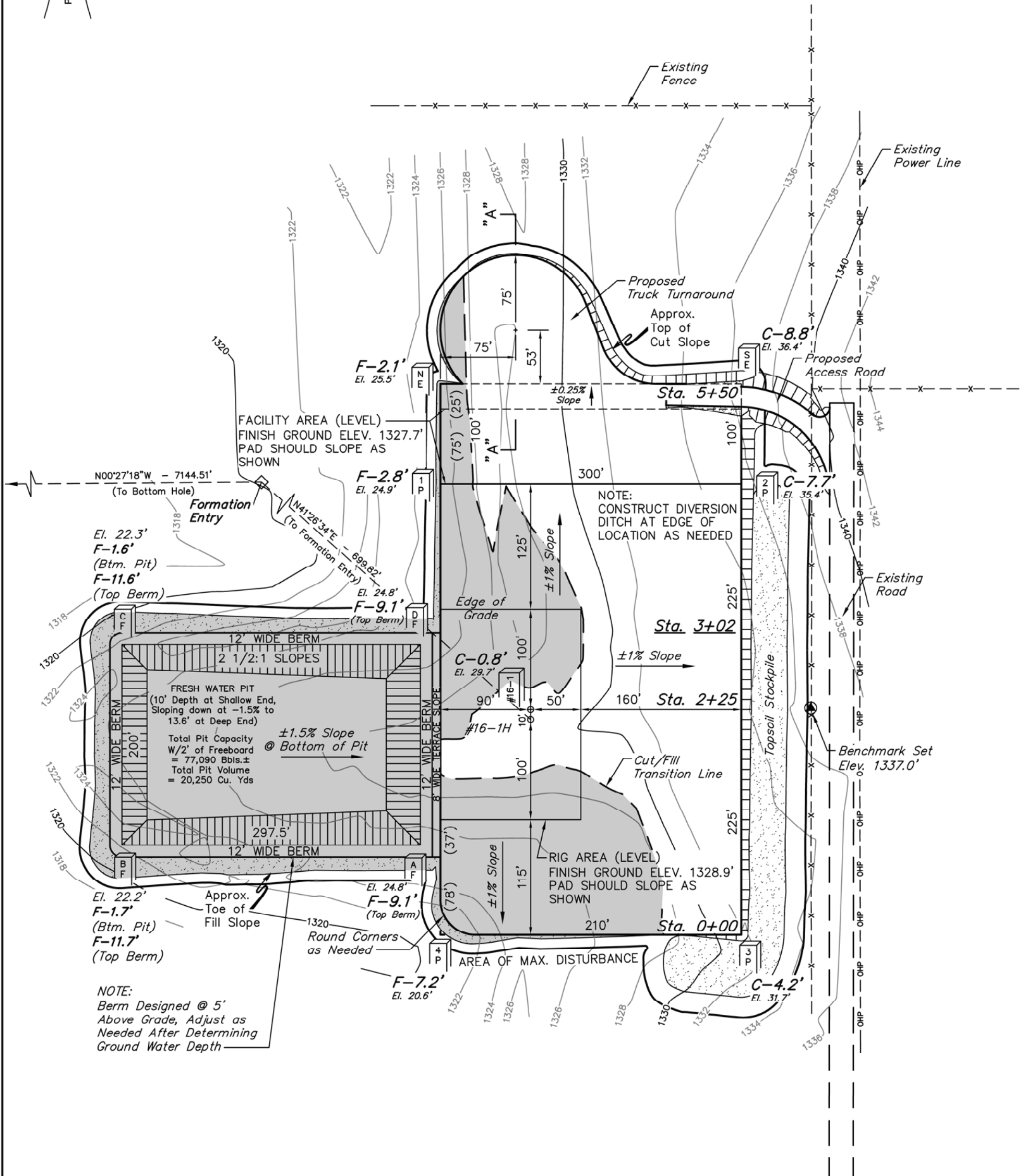
SCALE 1" = 1000'	DATE SURVEYED: 02-18-12	DATE DRAWN: 07-10-12
PARTY J.P. B.L. C.A.G.		REFERENCES G.L.O. PLAT
WEATHER HOT		FILE SGOMI

NAD 83 (#16-1H TARGET BOTTOM HOLE)	NAD 83 (#16-1H FORMATION ENTRY)	NAD 83 (#16-1H SURFACE LOCATION)
LATITUDE = 37°01'13.12" (37.020311) LONGITUDE = 98°24'33.36" (98.409267)	LATITUDE = 37°00'02.48" (37.000689) LONGITUDE = 98°24'32.62" (98.409061)	LATITUDE = 36°59'57.29" (36.999247) LONGITUDE = 98°24'38.32" (98.410644)
NAD 27 (#16-1H TARGET BOTTOM HOLE)	NAD 27 (#16-1H FORMATION ENTRY)	NAD 27 (#16-1H SURFACE LOCATION)
LATITUDE = 37°01'13.02" (37.020283) LONGITUDE = 98°24'32.09" (98.408914)	LATITUDE = 37°00'02.38" (37.000661) LONGITUDE = 98°24'31.35" (98.408708)	LATITUDE = 36°59'57.19" (36.999219) LONGITUDE = 98°24'37.06" (98.410294)
STATE PLANE NAD 27 (KANSAS SOUTH) N: 128772.73 E: 2026595.05	STATE PLANE NAD 27 (KANSAS SOUTH) N: 121628.13 E: 2026662.00	STATE PLANE NAD 27 (KANSAS SOUTH) N: 121102.84 E: 2026199.53



SGOMI
LOCATION LAYOUT FOR
SCHUPBACH 3510 #16-1 & #16-1H
SECTION 16, T35S, R10W, 6th P.M.
LOT 1

FIGURE #1
 SCALE: 1" = 100'
 DATE: 07-10-12
 DRAWN BY: C.A.G.
 VERSION: 1.0
 REVISED:
 REVISED BY:



NOTE:
 Berm Designed @ 5'
 Above Grade, Adjust as
 Needed After Determining
 Ground Water Depth

BEARINGS AND DISTANCES FROM BENCHMARK TO STAKED POSITIONS		
STAKED POSITION	BEARING	DISTANCE
#16-1 LOCATION STAKE	N00°19'51"W	279.27'
#16-1H LOCATION STAKE	N02°23'28"W	279.46'
PAD CORNER 1	N31°08'10"E	431.58'
PAD CORNER 2	N72°46'08"E	233.62'
PAD CORNER 3	N73°02'27"W	237.31'
PAD CORNER 4	N31°34'41"W	433.36'
PIT CORNER A	N19°22'50"W	412.54'
PAD CORNER B	N11°15'56"W	700.21'
PAD CORNER C	N05°14'51"E	689.74'
PAD CORNER D	N09°12'53"E	394.43'
NE FACILITIES CORNER	N41°11'23"E	490.83'
SE FACILITIES CORNER	N77°53'42"E	330.45'

Elev. Ungraded Ground At #16-1 Loc. Stake = 1329.7'
 FINISHED GRADE ELEV. AT #16-1 LOC. STAKE = 1328.9'

UINTAH ENGINEERING & LAND SURVEYING
 85 So. 200 East * Vernal, Utah 84078 * (435) 789-1017

Unit Description for SCHUPBACH 3510 #16-1H

UNIT ACRES: 933.0 acres, more or less

UNIT DESCRIPTION: Section 16, Township 35 South, Range 10 West

- All of fractional Section 16, containing 368.0 acres, more or less.

Section 9, Township 35 South, Range 10 West

- The East Half (E/2) and the Southwest Quarter (SW/4), containing 485.0 acres, more or less.
- The South Half of the Northwest Quarter (S/2 NW/4), containing 80 acres, more or less.

July 31, 2012

Damonica Pierson
Shell Gulf of Mexico Inc.
150 N DAIRY-ASHFORD (77079)
PO BOX 576 (77001-0576)
HOUSTON, TX 77001-0576

Re: Drilling Pit Application
Schupbach 3510 16-1H
SE/4 Sec.16-35S-10W
Barber County, Kansas

Dear Damonica Pierson:

District staff has inspected the above referenced location and has determined that the reserve pit shall be constructed **without slots**, the bottom shall be flat and reasonably level, and the free fluids must be removed. The fluids are to be removed from the reserve pit within 96 hours of completion of drilling operations.

If production casing is set all completion fluids shall be removed from the working pits daily. NO completion fluids or non-exempt wastes shall be placed in the reserve pit.

The fluids should be taken to an authorized disposal well. Please call the District Office at (620) 225-8888 when the fluids have been removed. Please file form CDP-5 (August 2008), Exploration and Production Waste Transfer, through KOLAR within 30 days of fluid removal.

A copy of this letter should be posted in the doghouse along with the approved Intent to Drill. If you have any questions or concerns please feel free to contact the District Office at (620) 225-8888.