

# KSONA - Potential Tank Battery Location and Lease Road

## PLOT OF THE INTENDED WELL

Operator: McCoy Petroleum Corporation  
 Lease: ERSKINE 'B' #1-32  
 Well Number: #1-32  
 Field: Erskine North  
 Number of Acres attributable to well: 160  
 QTR/QTR/QTR/QTR of acreage: NE NE

Location of Well: County: C NE NE Sumner Co., KS  
660 feet from  N /  S Line of Section  
660 feet from  E /  W Line of Section  
 Sec 32 Twp. 31 S Rng. 3  E  W

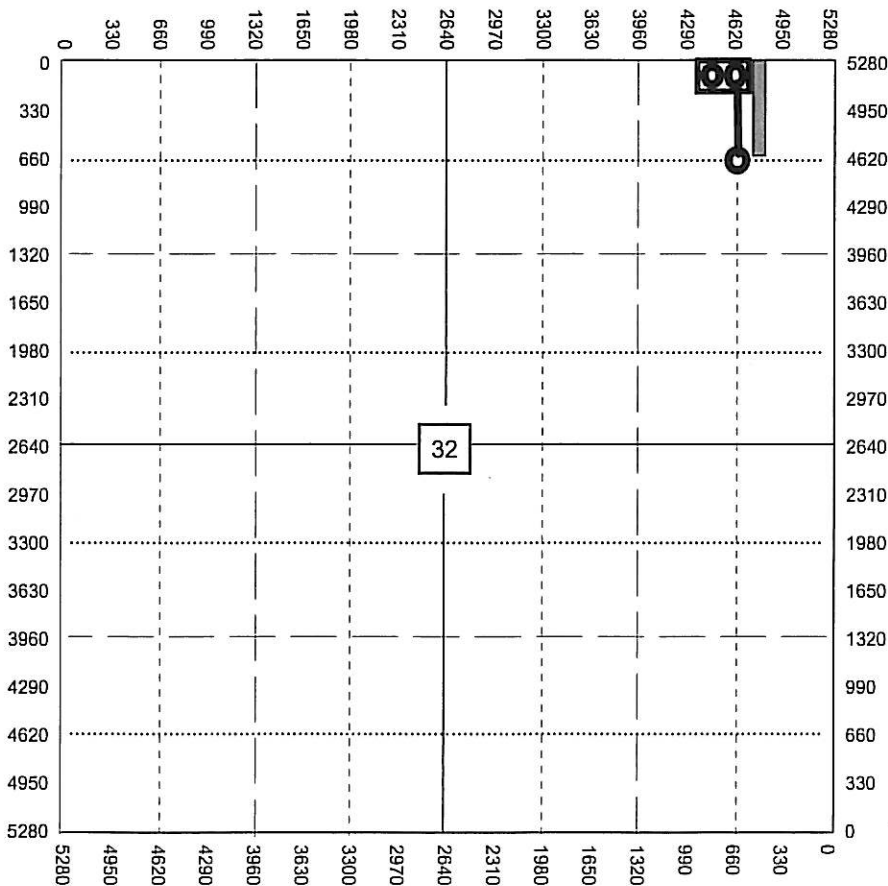
Is Section  Regular or  Irregular

If Section is Irregular, locate well from nearest corner boundary.

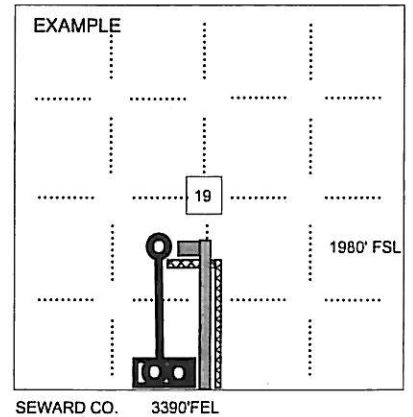
Section corner used:  NE  NW  SE  SW

### PLAT

Show the predicted locations of lease roads, tank batteries, pipelines and electrical lines,  
 as required by the Kansas Surface Owner Notice Act (House Bill 2032).



- LEGEND**
- Well Location
  - Tank Battery Location
  - Pipeline Location
  - Electric Line Location
  - Lease Road Location



**NOTE:** Spot of the proposed drilling location.