

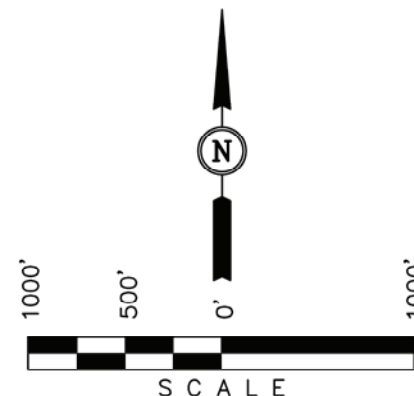
Well location, SCHUPBACH 3510 #16-1H, located as shown in Lot 1 of Section 16, T35S, R10W, 6th P.M., Barber County, Kansas.

BASIS OF ELEVATION

SPOT ELEVATION LOCATED AT THE SOUTHWEST CORNER OF SECTION 12, T35S, R10W, 6th P.M. TAKEN FROM THE CORWIN, QUADRANGLE, KANSAS, 7.5 MINUTE QUAD (TOPOGRAPHIC MAP) PUBLISHED BY THE UNITED STATES DEPARTMENT OF THE INTERIOR, GEOLOGICAL SURVEY. SAID ELEVATION IS MARKED AS BEING 1274 FEET.

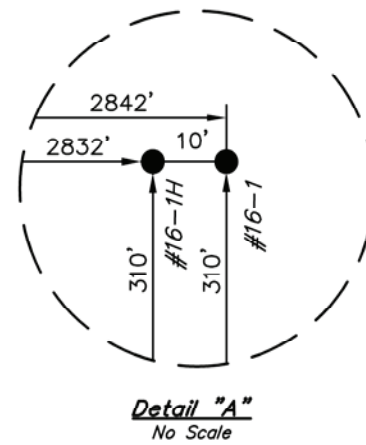
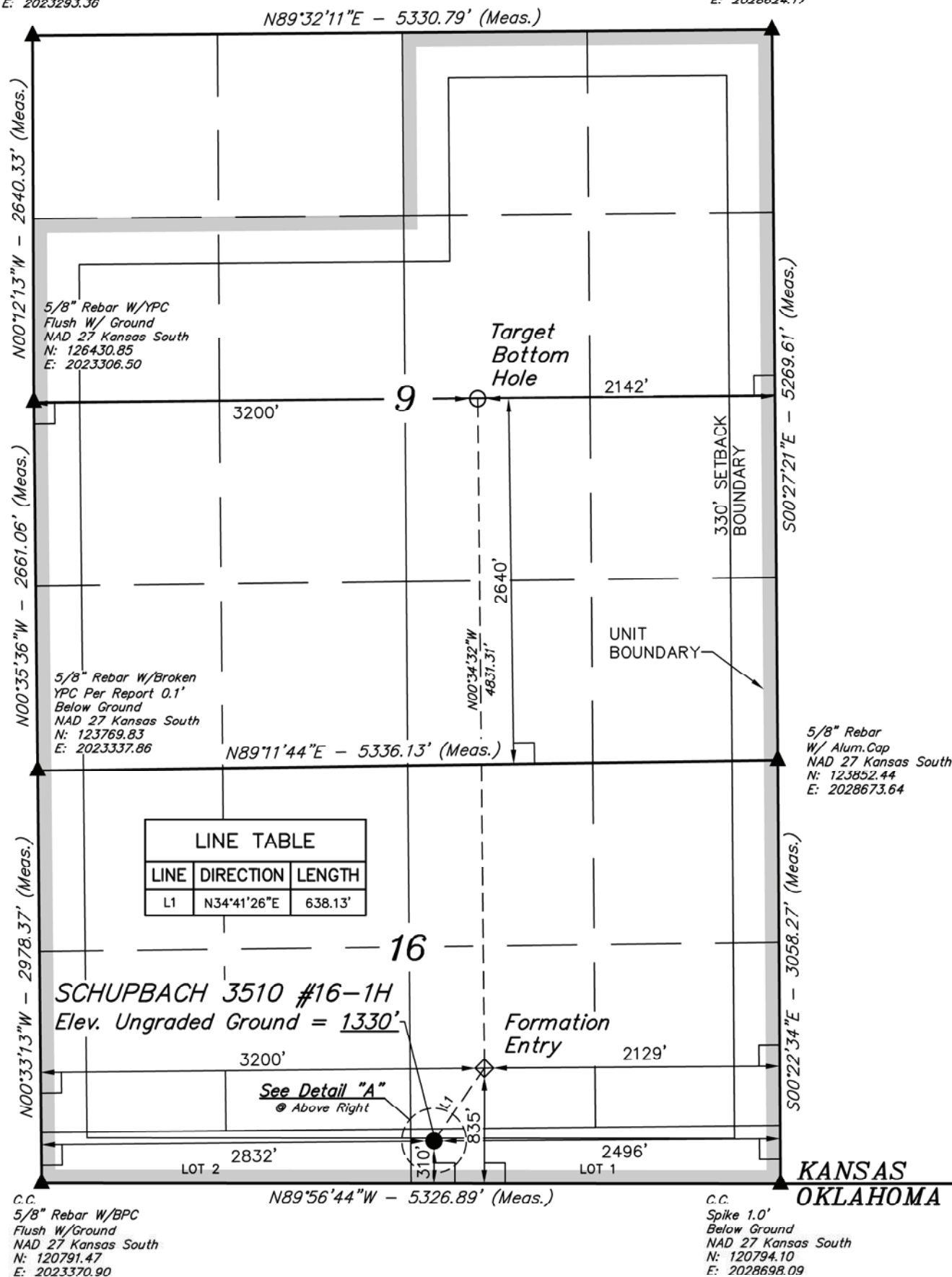
BASIS OF BEARINGS

BASIS OF BEARINGS IS A G.P.S. OBSERVATION.



1/2" Pipe, 0.4' Below Ground in Asphalt
NAD 27 Kansas South
N: 129071.28
E: 2023293.36

Spike 0.1' Below Ground
NAD 27 Kansas South
N: 129122.10
E: 2028624.17



Detail "A"
No Scale

KANSAS
OKLAHOMA

CERTIFICATE

THIS IS TO CERTIFY THAT THE ABOVE PLAT WAS PREPARED FROM FIELD NOTES OF ACTUAL SURVEYS MADE BY ME OR UNDER MY SUPERVISION AND THAT THE SAME ARE TRUE AND CORRECT TO THE BEST OF MY KNOWLEDGE AND BELIEF.

REGISTERED LAND SURVEYOR
REGISTRATION NO. 1455
STATE OF KANSAS

- LEGEND:**
- └─┘ = 90° SYMBOL
 - = PROPOSED WELL HEAD.
 - ▲ = SECTION CORNERS LOCATED.

REV: 07-30-12 C.A.G.

UINTAH ENGINEERING & LAND SURVEYING
85 SOUTH 200 EAST - VERNAL, UTAH 84078
(435) 789-1017

SCALE 1" = 1000'	DATE SURVEYED: 02-18-12	DATE DRAWN: 07-10-12
PARTY J.P. B.L. C.A.G.	REFERENCES G.L.O. PLAT	
WEATHER HOT	FILE SGOMI	

NAD 83 (#16-1H TARGET BOTTOM HOLE)	NAD 83 (#16-1H FORMATION ENTRY)	NAD 83 (#16-1H SURFACE LOCATION)
LATITUDE = 37°00'50.25" (37.013958)	LATITUDE = 37°00'02.48" (37.000689)	LATITUDE = 36°59'57.29" (36.999247)
LONGITUDE = 98°24'34.48" (98.409578)	LONGITUDE = 98°24'33.85" (98.409403)	LONGITUDE = 98°24'38.32" (98.410644)
NAD 27 (#16-1H TARGET BOTTOM HOLE)	NAD 27 (#16-1H FORMATION ENTRY)	NAD 27 (#16-1H SURFACE LOCATION)
LATITUDE = 37°00'50.15" (37.013931)	LATITUDE = 37°00'02.38" (37.000661)	LATITUDE = 36°59'57.19" (36.999219)
LONGITUDE = 98°24'33.21" (98.409225)	LONGITUDE = 98°24'32.59" (98.409053)	LONGITUDE = 98°24'37.06" (98.410294)
STATE PLANE NAD 27 (KANSAS SOUTH) N: 126459.35 E: 2026506.56	STATE PLANE NAD 27 (KANSAS SOUTH) N: 121628.09 E: 2026561.99	STATE PLANE NAD 27 (KANSAS SOUTH) N: 121102.84 E: 2026199.53