

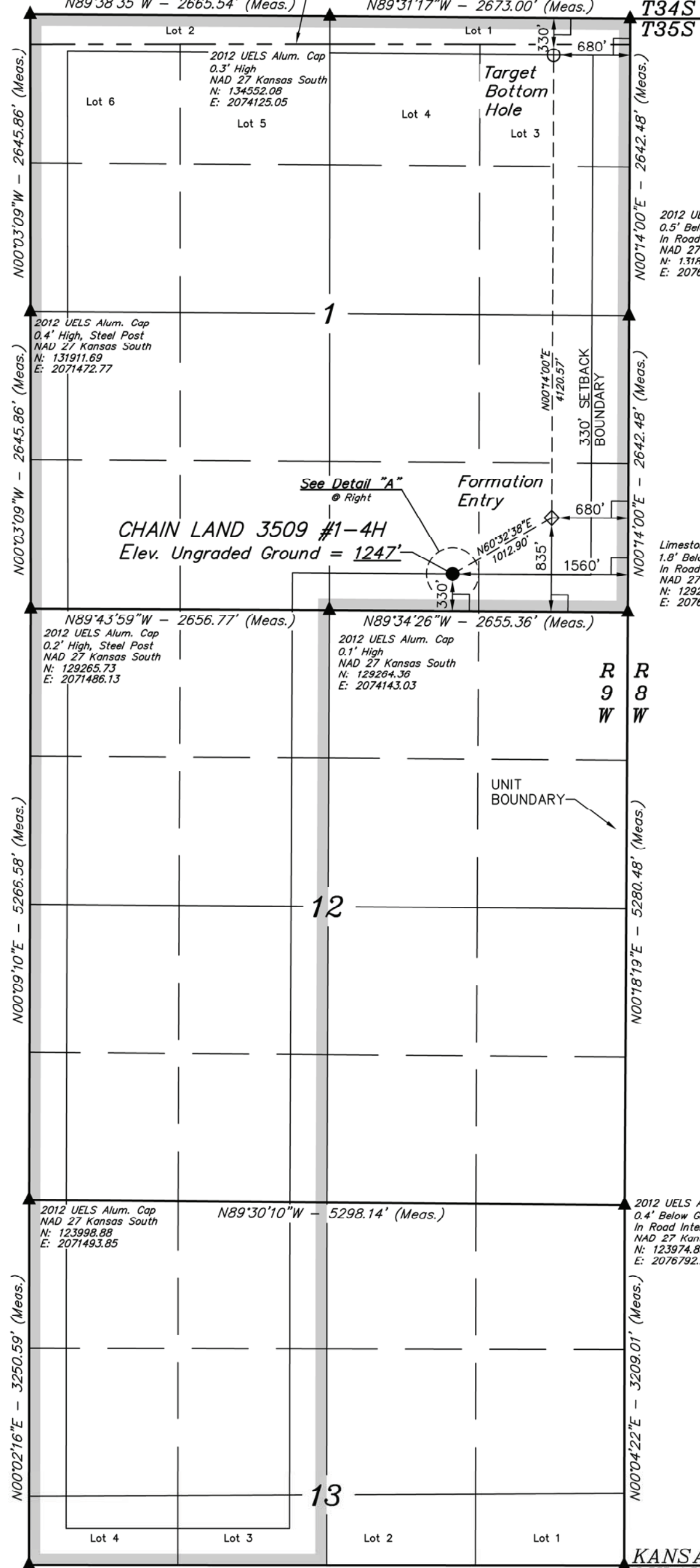
T35S, R9W, 6th P.M.

SGOMI

2.5" Alum. Cap
NAD 27 Kansas South
N: 134557.64
E: 2071459.39

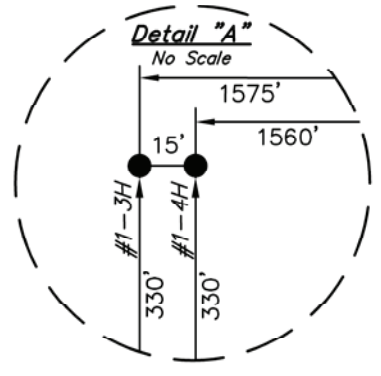
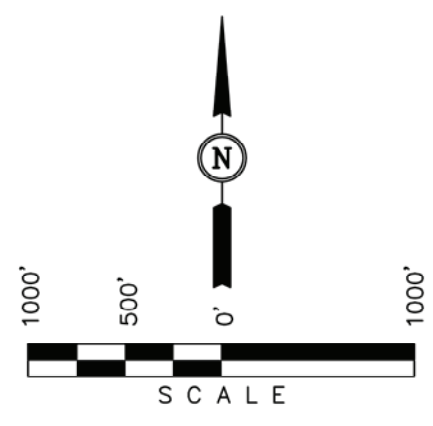
1/2" Rebar W/Limestone
Fragments,
In Road Intersection
NAD 27 Kansas South
N: 134540.83
E: 2076798.15

Well location, CHAIN LAND 3509 #1-4H, located as shown in the SW 1/4 SE 1/4 of Section 1, T35S, R9W, 6th P.M., Harper County, Kansas.



BASIS OF ELEVATION
SPOT ELEVATION LOCATED AT THE NORTHEAST CORNER OF SECTION 22, T35S, R7W, 6th P.M. TAKEN FROM THE ANTHONY, QUADRANGLE, KANSAS, HARPER COUNTY, 7.5 MINUTE QUAD (TOPOGRAPHIC MAP) PUBLISHED BY THE UNITED STATES DEPARTMENT OF THE INTERIOR, GEOLOGICAL SURVEY. SAID ELEVATION IS MARKED AS BEING 1348 FEET.

BASIS OF BEARINGS
BASIS OF BEARINGS IS A G.P.S. OBSERVATION.



2012 UELS Alum. Cap
0.5' Below Ground,
In Road
NAD 27 Kansas South
N: 131898.22
E: 2076798.32

Limestone W/1/2" Rebar
1.8' Below Ground,
In Road Intersection
NAD 27 Kansas South
N: 129255.61
E: 2076798.51

- LEGEND:**
- └ = 90° SYMBOL
 - = PROPOSED WELL HEAD.
 - ▲ = SECTION CORNERS LOCATED.

CERTIFICATE
THIS IS TO CERTIFY THAT THE ABOVE PLAT WAS PREPARED FROM FIELD NOTES OF ACTUAL SURVEYS MADE BY ME OR UNDER MY SUPERVISION AND THAT THE SAME ARE TRUE AND CORRECT TO THE BEST OF MY KNOWLEDGE AND BELIEF.

JUSTIN S. ...
REGISTERED LAND SURVEYOR
REGISTRATION NO. 1435
STATE OF KANSAS
NOV 14 2012

KANSAS OKLAHOMA REVISD: 08-07-12

UINTAH ENGINEERING & LAND SURVEYING
85 SOUTH 200 EAST - VERNAL, UTAH 84078
(435) 789-1017

NAD 83 (#1-4H TARGET BOTTOM HOLE) LATITUDE = 37°02'05.99" (37.034997) LONGITUDE = 98°14'22.55" (98.239597)	NAD 83 (#1-4H FORMATION ENTRY) LATITUDE = 37°01'25.24" (37.023678) LONGITUDE = 98°14'22.69" (98.239636)	NAD 83 (#1-4H SURFACE LOCATION) LATITUDE = 37°01'20.31" (37.022308) LONGITUDE = 98°14'33.56" (98.242656)	SCALE 1" = 1000'	DATE SURVEYED: 07-10-12	DATE DRAWN: 07-17-12
NAD 27 (#1-4H TARGET BOTTOM HOLE) LATITUDE = 37°02'05.89" (37.034969) LONGITUDE = 98°14'21.30" (98.239250)	NAD 27 (#1-4H FORMATION ENTRY) LATITUDE = 37°01'25.15" (37.023653) LONGITUDE = 98°14'21.44" (98.239289)	NAD 27 (#1-4H SURFACE LOCATION) LATITUDE = 37°01'20.21" (37.022281) LONGITUDE = 98°14'32.31" (98.242308)	PARTY J.P. B.L. C.A.G.	REFERENCES G.L.O. PLAT	
STATE PLANE NAD 27 (KANSAS SOUTH) N: 134213.67 E: 2076118.14	STATE PLANE NAD 27 (KANSAS SOUTH) N: 130092.90 E: 2076118.42	STATE PLANE NAD 27 (KANSAS SOUTH) N: 129591.13 E: 2075238.48	WEATHER HOT	FILE SGOMI	