

KSONA - Potential Tank Battery Location and Lease Road

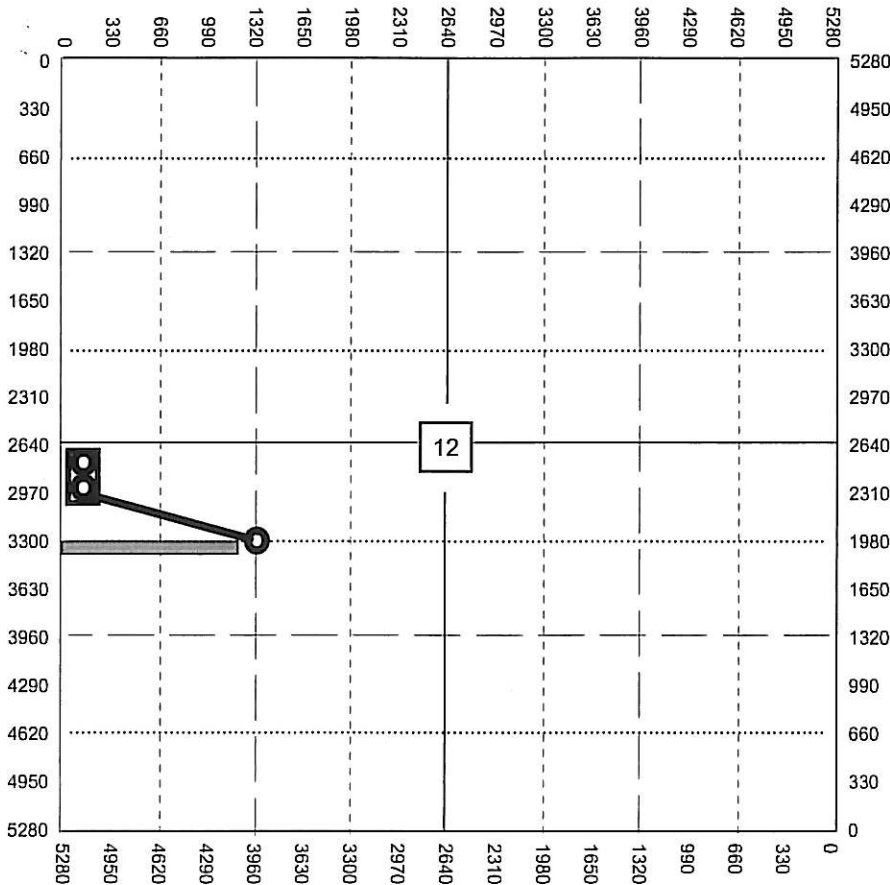
PLOT OF THE INTENDED WELL

Operator: McCoy Petroleum Corporation
 Lease: FARR TRUST "A" #1-12
 Well Number: #1-12
 Field: Wildcat
 Number of Acres attributable to well: 160
 QTR/QTR/QTR/QTR of acreage: _____

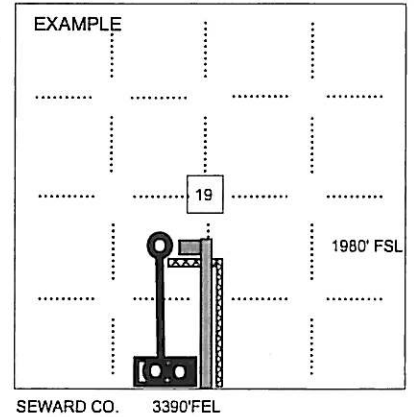
Location of Well: County: C N2 SW Rooks Co., KS
 _____ feet from N / S Line of Section
 _____ feet from E / W Line of Section
 Sec 12 Twp. 7 S Rng. 19 E W
 Is Section Regular or Irregular
 If Section is Irregular, locate well from nearest corner boundary.
 Section corner used: NE NW SE SW

PLAT

Show the predicted locations of lease roads, tank batteries, pipelines and electrical lines,
 as required by the Kansas Surface Owner Notice Act (House Bill 2032).



- LEGEND**
- Well Location
 - Tank Battery Location
 - Pipeline Location
 - Electric Line Location
 - Lease Road Location



NOTE: Spot of the proposed drilling location.