

# T28S, R2W, 6th P.M.

SGOMI

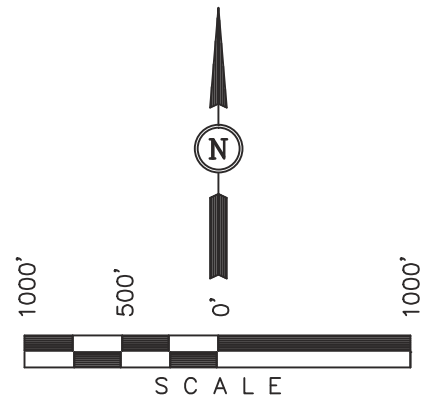
Well location, MEANS 2802 #17-1H, located as shown in the SW 1/4 SE 1/4 of Section 17, T28S, R2W, 6th P.M., Sedgwick County, Kansas.

## BASIS OF ELEVATION

BLACK ELEVATION LOCATED AT THE NORTHEAST CORNER OF SECTION 25, T31S, R4W, 6th P.M. TAKEN FROM THE MILAN, QUADRANGLE, KANSAS, SUMNER COUNTY, 7.5 MINUTE QUAD (TOPOGRAPHIC MAP) PUBLISHED BY THE UNITED STATES DEPARTMENT OF THE INTERIOR, GEOLOGICAL SURVEY. SAID ELEVATION IS MARKED AS BEING 1333 FEET.

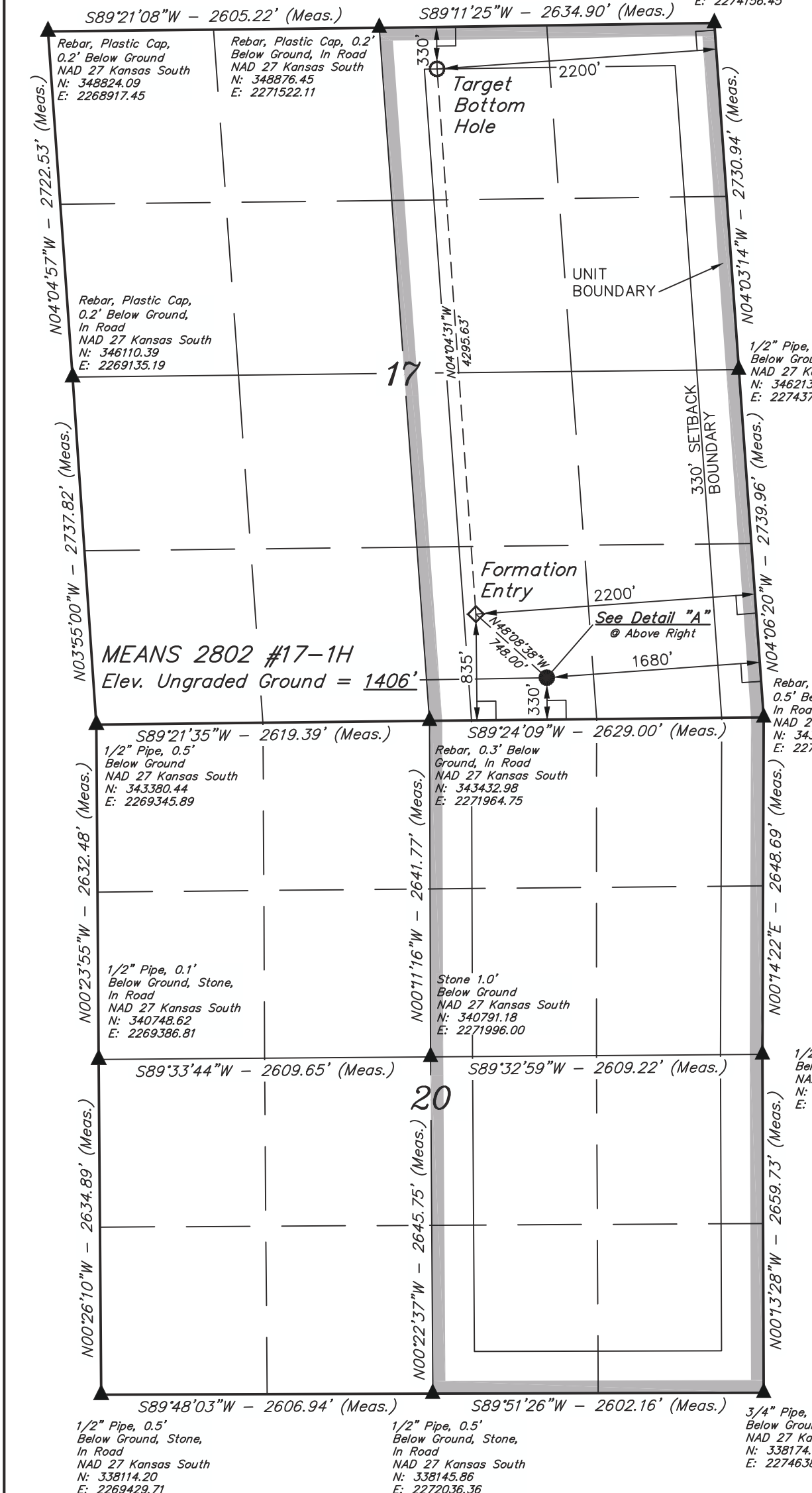
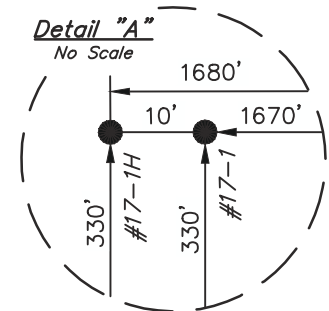
## BASIS OF BEARINGS

BASIS OF BEARINGS IS A G.P.S. OBSERVATION.



## LEGEND:

- └─┘ = 90° SYMBOL
- = PROPOSED WELL HEAD.
- ▲ = SECTION CORNERS LOCATED.



## CERTIFICATE

THIS IS TO CERTIFY THAT THE ABOVE PLAT WAS PREPARED FROM FIELD NOTES OF ACTUAL SURVEYS MADE BY ME OR UNDER MY SUPERVISION AND THAT THE SAME ARE TRUE AND CORRECT TO THE BEST OF MY KNOWLEDGE AND BELIEF.

REGISTERED LAND SURVEYOR  
REGISTRATION NO. 1451  
STATE OF KANSAS

REV: 10-18-12 C.A.G.

**UINTAH ENGINEERING & LAND SURVEYING**  
85 SOUTH 200 EAST - VERNAL, UTAH 84078  
(435) 789-1017

NAD 83 (TARGET BOTTOM HOLE) LATITUDE = 37°37'12.70" (37.620194) LONGITUDE = 97°33'40.57" (97.561269)	NAD 83 (FORMATION ENTRY) LATITUDE = 37°36'30.33" (37.608425) LONGITUDE = 97°33'36.85" (97.560236)	NAD 83 (SURFACE LOCATION) LATITUDE = 37°36'25.39" (37.607053) LONGITUDE = 97°33'29.94" (97.558317)	SCALE 1" = 1000'	DATE SURVEYED: 07-03-12	DATE DRAWN: 07-11-12
NAD 27 (TARGET BOTTOM HOLE) LATITUDE = 37°37'12.65" (37.620181) LONGITUDE = 97°33'39.40" (97.560944)	NAD 27 (FORMATION ENTRY) LATITUDE = 37°36'30.27" (37.608408) LONGITUDE = 97°33'35.68" (97.559911)	NAD 27 (SURFACE LOCATION) LATITUDE = 37°36'25.33" (37.607036) LONGITUDE = 97°33'28.77" (97.557992)	PARTY J.P. B.L. J.J.	REFERENCES G.L.O. PLAT	
STATE PLANE NAD 27 (KANSAS SOUTH) N: 348556.36 E: 2271979.91	STATE PLANE NAD 27 (KANSAS SOUTH) N: 344274.10 E: 2272322.41	STATE PLANE NAD 27 (KANSAS SOUTH) N: 343780.09 E: 2272883.46	WEATHER WARM	FILE SGOMI	