

Well location, HUDGENS 3307 #10-2H, located as shown in the SE 1/4 SE 1/4 of Section 10, T33S, R7W, 6th P.M., Harper County, Kansas.

BASIS OF ELEVATION

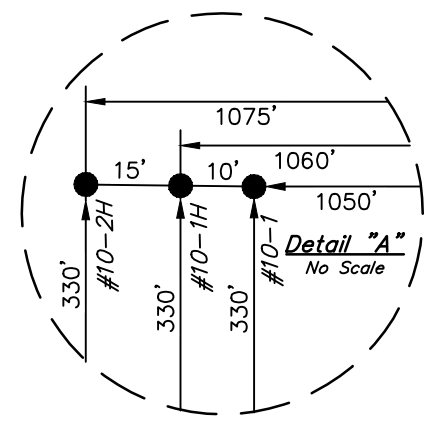
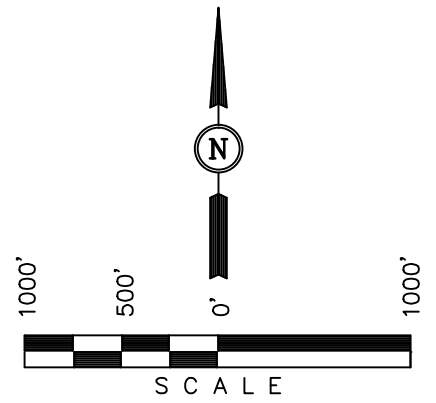
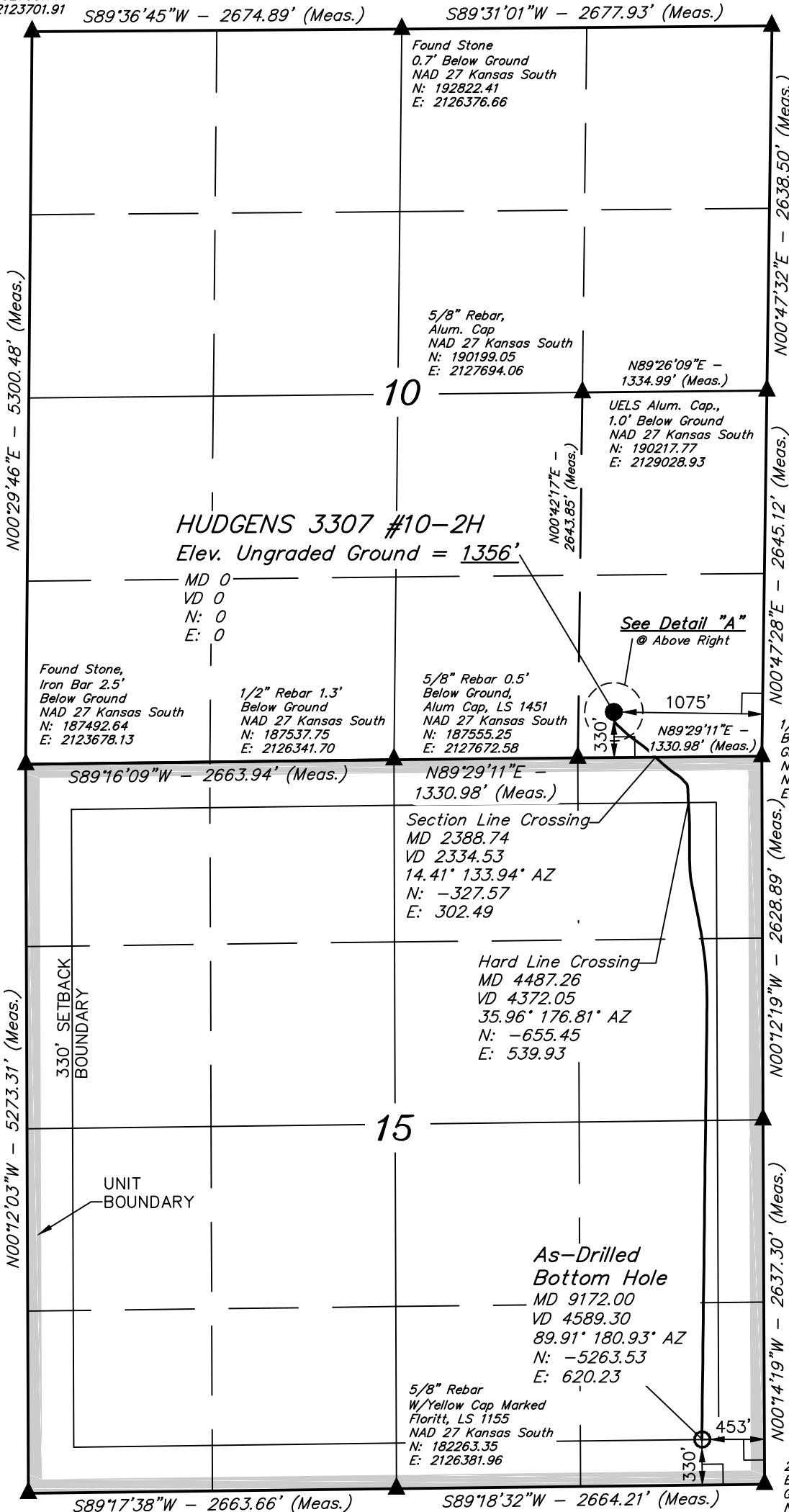
SPOT ELEVATION LOCATED AT THE NORTHEAST CORNER OF SECTION 22, T33S, R7W, 6th P.M. TAKEN FROM THE ANTHONY, QUADRANGLE, KANSAS, HARPER COUNTY, 7.5 MINUTE QUAD (TOPOGRAPHIC MAP) PUBLISHED BY THE UNITED STATES DEPARTMENT OF THE INTERIOR, GEOLOGICAL SURVEY. SAID ELEVATION IS MARKED AS BEING 1348 FEET.

BASIS OF BEARINGS

BASIS OF BEARINGS IS A G.P.S. OBSERVATION.

UELS Alum. Cap.
8" Below Ground
NAD 27 Kansas South
N: 192793.14
E: 2123701.91

1/2" Rebar 0.4' Below Ground
NAD 27 Kansas South
N: 192856.18
E: 2129054.39



LEGEND:

- └─┘ = 90° SYMBOL
- = PROPOSED WELL HEAD.
- ▲ = SECTION CORNERS LOCATED.

CERTIFICATE

THIS IS TO CERTIFY THAT THE ABOVE PLAT WAS PREPARED FROM FIELD NOTES OF ACTUAL SURVEYS MADE BY ME OR UNDER MY SUPERVISION AND THAT THE SAME ARE TRUE AND CORRECT TO THE BEST OF MY KNOWLEDGE AND BELIEF.

Justin S. ...
REGISTERED LAND SURVEYOR
REGISTRATION NO. 1451
STATE OF KANSAS

UINTAH ENGINEERING & LAND SURVEYING
85 SOUTH 200 EAST - VERNAL, UTAH 84078
(435) 789-1017

NAD 83 (#10-2H AS-DRILLED BOTTOM HOLE) LATITUDE = 37°10'02.71" (37.167419) LONGITUDE = 98°03'32.62" (98.059061)	NAD 83 (#10-2H SURFACE LOCATION) LATITUDE = 37°10'54.74" (37.181872) LONGITUDE = 98°03'40.45" (98.061236)	SCALE 1" = 1000'	DATE SURVEYED: 12-08-12	DATE DRAWN: 01-15-13
NAD 27 (#10-2H AS-DRILLED BOTTOM HOLE) LATITUDE = 37°10'02.63" (37.167397) LONGITUDE = 98°03'31.39" (98.058719)	NAD 27 (#10-2H SURFACE LOCATION) LATITUDE = 37°10'54.66" (37.181850) LONGITUDE = 98°03'39.22" (98.060894)	PARTY C.A.G.	REFERENCES G.L.O. PLAT	
STATE PLANE NAD 27 (KANSAS SOUTH) N: 182629.08 E: 2128590.43	STATE PLANE NAD 27 (KANSAS SOUTH) N: 187889.00 E: 2127931.63	WEATHER WARM	FILE SGOMI	