



For KCC Use:
 Effective Date: _____
 District # _____
 SGA? Yes No

KANSAS CORPORATION COMMISSION 1114517
 OIL & GAS CONSERVATION DIVISION

Form C-1
 March 2010

Form must be Typed
 Form must be Signed
 All blanks must be Filled

NOTICE OF INTENT TO DRILL

Must be approved by KCC five (5) days prior to commencing well

Form KSONA-1, Certification of Compliance with the Kansas Surface Owner Notification Act, MUST be submitted with this form.

Expected Spud Date: _____
month day year

OPERATOR: License# _____
 Name: _____
 Address 1: _____
 Address 2: _____
 City: _____ State: _____ Zip: _____ + _____
 Contact Person: _____
 Phone: _____

CONTRACTOR: License# _____
 Name: _____

Well Drilled For:	Well Class:	Type Equipment:
<input type="checkbox"/> Oil	<input type="checkbox"/> Enh Rec	<input type="checkbox"/> Infield
<input type="checkbox"/> Gas	<input type="checkbox"/> Storage	<input type="checkbox"/> Pool Ext.
	<input type="checkbox"/> Disposal	<input type="checkbox"/> Wildcat
<input type="checkbox"/> Seismic ; _____ # of Holes	<input type="checkbox"/> Other	<input type="checkbox"/> Mud Rotary
<input type="checkbox"/> Other: _____		<input type="checkbox"/> Air Rotary
		<input type="checkbox"/> Cable
<input type="checkbox"/> If OWWO: old well information as follows:		

Operator: _____
 Well Name: _____
 Original Completion Date: _____ Original Total Depth: _____

Directional, Deviated or Horizontal wellbore? Yes No
 If Yes, true vertical depth: _____
 Bottom Hole Location: _____
 KCC DKT #: _____

Spot Description: _____
 _____ - _____ - _____ Sec. _____ Twp. _____ S. R. _____ E W
(Q/Q/Q/Q) _____ feet from N / S Line of Section
 _____ feet from E / W Line of Section

Is SECTION: Regular Irregular?
 (Note: Locate well on the Section Plat on reverse side)

County: _____
 Lease Name: _____ Well #: _____

Field Name: _____
 Is this a Prorated / Spaced Field? Yes No

Target Formation(s): _____
 Nearest Lease or unit boundary line (in footage): _____

Ground Surface Elevation: _____ feet MSL

Water well within one-quarter mile: Yes No

Public water supply well within one mile: Yes No

Depth to bottom of fresh water: _____

Depth to bottom of usable water: _____

Surface Pipe by Alternate: I II

Length of Surface Pipe Planned to be set: _____

Length of Conductor Pipe (if any): _____

Projected Total Depth: _____

Formation at Total Depth: _____

Water Source for Drilling Operations:
 Well Farm Pond Other: _____

DWR Permit #: _____

(Note: Apply for Permit with DWR)

Will Cores be taken? Yes No

If Yes, proposed zone: _____

AFFIDAVIT

The undersigned hereby affirms that the drilling, completion and eventual plugging of this well will comply with K.S.A. 55 et. seq.

It is agreed that the following minimum requirements will be met:

1. Notify the appropriate district office **prior** to spudding of well;
2. A copy of the approved notice of intent to drill **shall be** posted on each drilling rig;
3. The minimum amount of surface pipe as specified below **shall be set** by circulating cement to the top; in all cases surface pipe **shall be set** through all unconsolidated materials plus a minimum of 20 feet into the underlying formation.
4. If the well is dry hole, an agreement between the operator and the district office on plug length and placement is necessary **prior to plugging**;
5. The appropriate district office will be notified before well is either plugged or production casing is cemented in;
6. If an ALTERNATE II COMPLETION, production pipe shall be cemented from below any usable water to surface within **120 DAYS** of spud date. Or pursuant to Appendix "B" - Eastern Kansas surface casing order #133,891-C, which applies to the KCC District 3 area, alternate II cementing must be completed within 30 days of the spud date or the well shall be plugged. **In all cases, NOTIFY district office** prior to any cementing.

Submitted Electronically

<p>For KCC Use ONLY</p> <p>API # 15 - _____</p> <p>Conductor pipe required _____ feet</p> <p>Minimum surface pipe required _____ feet per ALT. <input type="checkbox"/> I <input type="checkbox"/> II</p> <p>Approved by: _____</p> <p>This authorization expires: _____ <small>(This authorization void if drilling not started within 12 months of approval date.)</small></p> <p>Spud date: _____ Agent: _____</p>
--

Remember to:

- File Certification of Compliance with the Kansas Surface Owner Notification Act (KSONA-1) with Intent to Drill;
- File Drill Pit Application (form CDP-1) with Intent to Drill;
- File Completion Form ACO-1 within 120 days of spud date;
- File acreage attribution plat according to field proration orders;
- Notify appropriate district office 48 hours prior to workover or re-entry;
- Submit plugging report (CP-4) after plugging is completed (within 60 days);
- Obtain written approval before disposing or injecting salt water.
- If well will not be drilled or permit has expired (See: authorized expiration date) please check the box below and return to the address below.

Well will not be drilled or Permit Expired Date: _____
 Signature of Operator or Agent: _____

E
 W

For KCC Use ONLY

API # 15 - _____

IN ALL CASES PLOT THE INTENDED WELL ON THE PLAT BELOW

In all cases, please fully complete this side of the form. Include items 1 through 5 at the bottom of this page.

Operator: _____

Lease: _____

Well Number: _____

Field: _____

Number of Acres attributable to well: _____

QTR/QTR/QTR/QTR of acreage: _____ - _____ - _____ - _____

Location of Well: County: _____

_____ feet from N / S Line of Section

_____ feet from E / W Line of Section

Sec. _____ Twp. _____ S. R. _____ E W

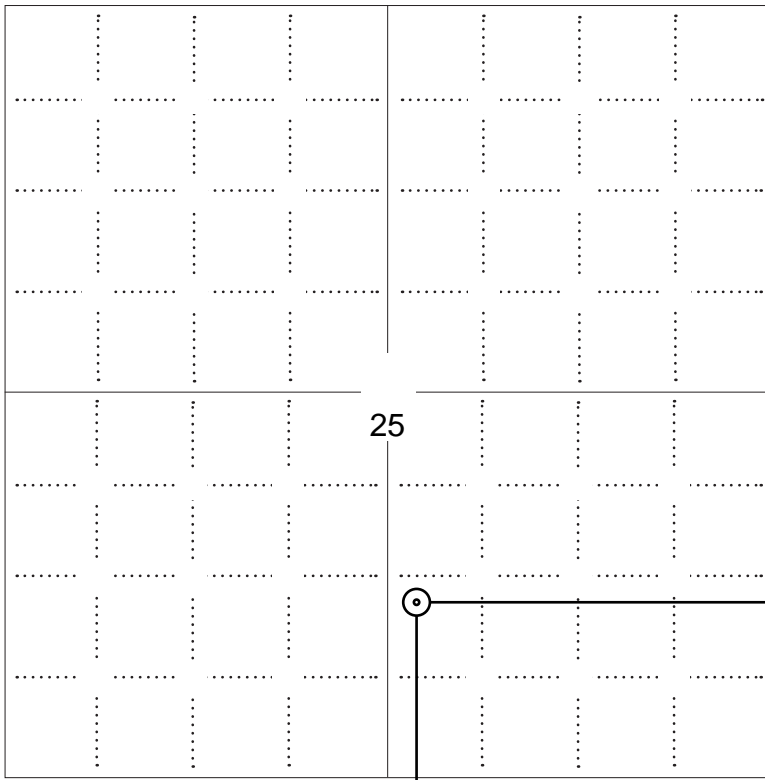
Is Section: Regular or Irregular

If Section is Irregular, locate well from nearest corner boundary.

Section corner used: NE NW SE SW

PLAT

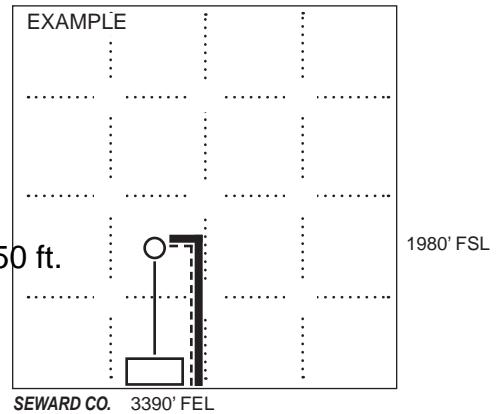
Show location of the well. Show footage to the nearest lease or unit boundary line. Show the predicted locations of lease roads, tank batteries, pipelines and electrical lines, as required by the Kansas Surface Owner Notice Act (House Bill 2032). You may attach a separate plat if desired.



NOTE: In all cases locate the spot of the proposed drilling location.

LEGEND

- Well Location
- Tank Battery Location
- Pipeline Location
- Electric Line Location
- Lease Road Location



1200 ft.

In plotting the proposed location of the well, you must show:

1. The manner in which you are using the depicted plat by identifying section lines, i.e. 1 section, 1 section with 8 surrounding sections, 4 sections, etc.
2. The distance of the proposed drilling location from the south / north and east / west outside section lines.
3. The distance to the nearest lease or unit boundary line (in footage).
4. If proposed location is located within a prorated or spaced field a certificate of acreage attribution plat must be attached: (C0-7 for oil wells; CG-8 for gas wells).
5. The predicted locations of lease roads, tank batteries, pipelines, and electrical lines.

APPLICATION FOR SURFACE PIT

Submit in Duplicate

Operator Name: _____		License Number: _____	
Operator Address: _____			
Contact Person: _____		Phone Number: _____	
Lease Name & Well No.: _____		Pit Location (QQQQ): _____-_____-_____-_____	
Type of Pit: <input type="checkbox"/> Emergency Pit <input type="checkbox"/> Burn Pit <input type="checkbox"/> Settling Pit <input type="checkbox"/> Drilling Pit <input type="checkbox"/> Workover Pit <input type="checkbox"/> Haul-Off Pit <i>(If WP Supply API No. or Year Drilled)</i>		Pit is: <input type="checkbox"/> Proposed <input type="checkbox"/> Existing If Existing, date constructed: _____ Pit capacity: _____ (bbls)	
Is the pit located in a Sensitive Ground Water Area? <input type="checkbox"/> Yes <input type="checkbox"/> No		Chloride concentration: _____ mg/l <i>(For Emergency Pits and Settling Pits only)</i>	
Is the bottom below ground level? <input type="checkbox"/> Yes <input type="checkbox"/> No		Artificial Liner? <input type="checkbox"/> Yes <input type="checkbox"/> No	
How is the pit lined if a plastic liner is not used? _____			
Pit dimensions (all but working pits): _____ Length (feet) _____ Width (feet) <input type="checkbox"/> N/A: Steel Pits Depth from ground level to deepest point: _____ (feet) <input type="checkbox"/> No Pit			
If the pit is lined give a brief description of the liner material, thickness and installation procedure.		Describe procedures for periodic maintenance and determining liner integrity, including any special monitoring.	
Distance to nearest water well within one-mile of pit: _____ feet Depth of water well _____ feet		Depth to shallowest fresh water _____ feet. Source of information: <input type="checkbox"/> measured <input type="checkbox"/> well owner <input type="checkbox"/> electric log <input type="checkbox"/> KDWR	
Emergency, Settling and Burn Pits ONLY: Producing Formation: _____ Number of producing wells on lease: _____ Barrels of fluid produced daily: _____ Does the slope from the tank battery allow all spilled fluids to flow into the pit? <input type="checkbox"/> Yes <input type="checkbox"/> No		Drilling, Workover and Haul-Off Pits ONLY: Type of material utilized in drilling/workover: _____ Number of working pits to be utilized: _____ Abandonment procedure: _____ Drill pits must be closed within 365 days of spud date.	
Submitted Electronically			

KCC OFFICE USE ONLY

Liner Steel Pit RFAC RFAS

Date Received: _____ Permit Number: _____ Permit Date: _____ Lease Inspection: Yes No



CERTIFICATION OF COMPLIANCE WITH THE KANSAS SURFACE OWNER NOTIFICATION ACT

This form must be submitted with all Forms C-1 (Notice of Intent to Drill); CB-1 (Cathodic Protection Borehole Intent); T-1 (Request for Change of Operator Transfer of Injection or Surface Pit Permit); and CP-1 (Well Plugging Application). Any such form submitted without an accompanying Form KSONA-1 will be returned.

Select the corresponding form being filed: C-1 (Intent) CB-1 (Cathodic Protection Borehole Intent) T-1 (Transfer) CP-1 (Plugging Application)

OPERATOR: License # _____
Name: _____
Address 1: _____
Address 2: _____
City: _____ State: _____ Zip: _____ + _____
Contact Person: _____
Phone: (_____) _____ Fax: (_____) _____
Email Address: _____

Well Location:
____ - ____ - ____ - ____ Sec. ____ Twp. ____ S. R. ____ East West
County: _____
Lease Name: _____ Well #: _____

If filing a Form T-1 for multiple wells on a lease, enter the legal description of the lease below:

Surface Owner Information:

Name: _____
Address 1: _____
Address 2: _____
City: _____ State: _____ Zip: _____ + _____

When filing a Form T-1 involving multiple surface owners, attach an additional sheet listing all of the information to the left for each surface owner. Surface owner information can be found in the records of the register of deeds for the county, and in the real estate property tax records of the county treasurer.

If this form is being submitted with a Form C-1 (Intent) or CB-1 (Cathodic Protection Borehole Intent), you must supply the surface owners and the KCC with a plat showing the predicted locations of lease roads, tank batteries, pipelines, and electrical lines. The locations shown on the plat are preliminary non-binding estimates. The locations may be entered on the Form C-1 plat, Form CB-1 plat, or a separate plat may be submitted.

Select one of the following:

- I certify that, pursuant to the Kansas Surface Owner Notice Act (House Bill 2032), I have provided the following to the surface owner(s) of the land upon which the subject well is or will be located: 1) a copy of the Form C-1, Form CB-1, Form T-1, or Form CP-1 that I am filing in connection with this form; 2) if the form being filed is a Form C-1 or Form CB-1, the plat(s) required by this form; and 3) my operator name, address, phone number, fax, and email address.
- I have not provided this information to the surface owner(s). I acknowledge that, because I have not provided this information, the KCC will be required to send this information to the surface owner(s). To mitigate the additional cost of the KCC performing this task, I acknowledge that I am being charged a \$30.00 handling fee, payable to the KCC, which is enclosed with this form.

If choosing the second option, submit payment of the \$30.00 handling fee with this form. If the fee is not received with this form, the KSONA-1 form and the associated Form C-1, Form CB-1, Form T-1, or Form CP-1 will be returned.

Submitted Electronically

For KCC Use ONLY

API # 15 - _____

IN ALL CASES PLOT THE INTENDED WELL ON THE PLAT BELOW

In all cases, please fully complete this side of the form. Include items 1 through 5 at the bottom of this page.

Operator: H & C Oil Operating Inc.
Lease: Gosselin Unit
Well Number: 25-1
Field: Gosselin

Location of Well: County: Graham
1200 feet from N / S Line of Section
2450 feet from E / W Line of Section
Sec. 25 Twp. 8 S. R. 22 E W

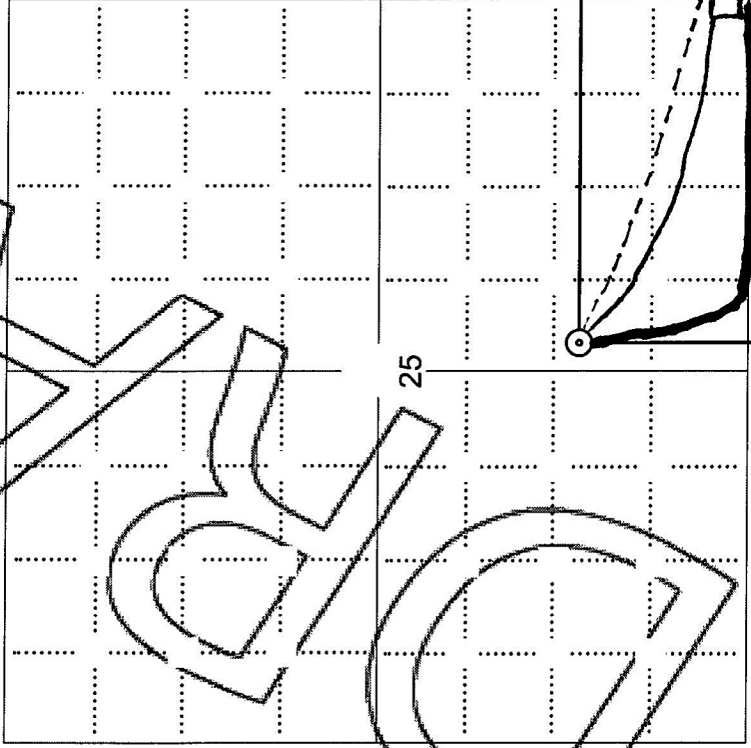
Number of Acres attributable to well: 40
QTR/QTR/QTR/QTR of acreage: NW - NW - SW - SE

Is Section: Regular or Irregular

If Section is Irregular, locate well from nearest corner boundary.
Section corner used: NE NW SE SW

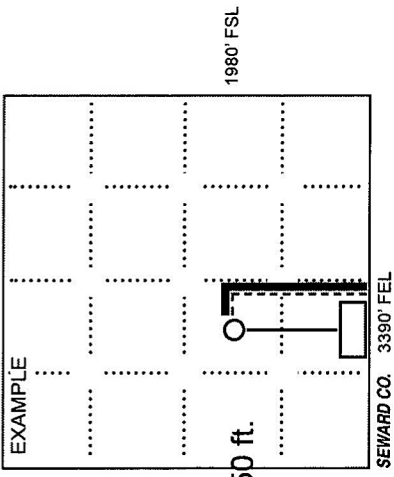
PLAT

Show location of the well. Show footage to the nearest lease or unit boundary line. Show the predicted locations of lease roads, tank batteries, pipelines and electrical lines, as required by the Kansas Surface Owner Notice Act (House Bill 2032). You may attach a separate plat if desired.



LEGEND

- Well Location
- Tank Battery Location
- Pipeline Location
- Electric Line Location
- Lease Road Location



NOTE: In all cases locate the spot of the proposed drilling location.

In plotting the proposed location of the well, you must show: 1200 ft.

1. The manner in which you are using the depicted plat by identifying section lines, i.e. 1 section, 1 section with 8 surrounding sections, 4 sections, etc.
2. The distance of the proposed drilling location from the south / north and east / west outside section lines.
3. The distance to the nearest lease or unit boundary line (in footage).
4. If proposed location is located within a prorated or spaced field a certificate of acreage attribution plat must be attached: (CO-7 for oil wells; CG-8 for gas wells).
5. The predicted locations of lease roads, tank batteries, pipelines, and electrical lines.

DECLARATION OF UNITIZATION

(Gosselin Unit S½ Sec. 25-8-22)

THIS DECLARATION OF UNITIZATION is made this 13th day of February, 2013, by H & C Oil Operating, Inc., hereinafter called Operator, WITNESSETH:

WHEREAS, the parties hereto desire the Oil and Gas Leases shown on Exhibit A, attached hereto and incorporated herein by reference, be consolidated and unitized into one operating unit according to, and in compliance with, the Rules and Regulations of the Kansas Corporation Commission.

AND WHEREAS, the operator of the **Gosselin Lease** covering SW¼ Sec. 25-8-22 and the Lessor of the **Gosselin Lease** covering SE¼ Sec. 25-8-22 have previously authorized the operator of the Lessee to pool and unitize said leases so that each Lessor would receive pro rata division of all royalties from the sale of oil or gas or either of them produced from the Unitized Area in the proportion that each Lessor's mineral interest bears to the total minerals within the Unitized Area as set forth in Exhibit A.

NOW, THEREFORE, in consideration of these premises and of the mutual benefits hereinafter contained, Operator does hereby pool and unitize the oil and gas leases set forth in Exhibit A in accordance with the following terms and conditions:

1. By virtue of the power and authority granted by each landowner/lessor under the terms of the leases, Operator declares for all purposes that the oil and gas leases set forth in Exhibit A are pooled and unitized forming the Unitized Area described therein. The Unitized Area shall be developed and operated as one leased tract regardless of how the same or the minerals thereunder may be divided in ownership, just as though such Unitized Area had originally been covered by a single oil and gas lease. The oil, gas or either of them in, under or produced from said Unitized Area is pooled and unitized and shall be treated as an entirety and the royalties thereon shall be paid ratably to the owners of each particular tract in such Unitized Area in accordance with Exhibit A and as their interest in each such particular tract may appear and according to the applicable royalty provisions and other terms of the oil and gas lease covering that particular tract.
2. Exhibit A sets forth and establishes the total acreage owned by each Lessor. Royalty, overriding royalty, and working interest payments will be based upon the decimal interest in production from said Unitized Area as is also shown thereon and on the Division Order when issued.
3. Any oil or gas well producing in commercial quantities under the terms of this agreement, or the oil and gas leases subject to this agreement, shall be deemed to be drilled under the terms of and located on the lands covered by each of said oil and gas lease and operations for the drilling, reworking of or production of all oil or gas from any



STATE OF KANSAS GRAHAM COUNTY, KANSAS
JUANITA TOLL REGISTER OF DEEDS *Juanita Toll*

Book: 260 Page: 78-81

Receipt #: 34982
Pages Recorded: 4

Recording Fee: \$20.00

Date Recorded: 2/19/2013 11:04:46 AM

-1-
SB
1

such well or wells shall operate to keep in force the entire oil and gas leasehold estate under each of said leases, just as though such well or wells were located on particular land covered by each particular lease. The drilling of or production from any well capable of producing oil or gas in commercial quantities upon the Unitized Area shall constitute full and complete development of each of the oil and gas leases hereby unitized.

4. This declaration and the oil and gas leasehold rights of Operator under all leases covering the tracts of land within the Unitized Area shall be and remain in full force and effect so long as oil or gas or either of them can be produced in commercial quantities from any well in said Unitized Area and shall not be effected by the expiration of the primary term of any of said leases.

5. This declaration and all of the terms and conditions hereof shall be considered as covenants running with the land and shall likewise extend to and be binding upon the heirs, successors, and assigns of all parties hereto.

IN WITNESS WHEREOF, the Operator has executed this Declaration of Unitization as of the date first above written.

H & C Oil Operating, Inc.

Attest: Irene Fellhoeelter
Irene Fellhoeelter, Secretary

Charles R. Ramsay
Charles R. Ramsay, President

ACKNOWLEDGMENT FOR CORPORATION

STATE OF KANSAS)
) ss:
COUNTY OF ROOKS)

The foregoing instrument was acknowledged before me this 19th day of February, 2013, by Charles R. Ramsay, President of H & C Oil Operating, Inc., a Kansas corporation, on behalf of the corporation.

My commission expires: 09/30/2014

Paul Gross
Notary Public

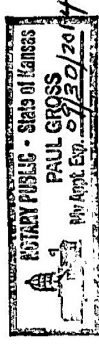


EXHIBIT A

UNIT AREA

(Gosselin - S¹/₂ Sec. 25-8-22)

A FORTY (40) ACRE TRACT IN THE SOUTH HALF (S¹/₂) OF SECTION 25, TOWNSHIP 8 SOUTH, RANGE 22 WEST OF THE SIXTH P.M., Beginning at a point 1,790 feet West and 540 feet North of the Southeast Corner of the SE¹/₄ Sec. 25-8-22; thence North 1,320 feet; thence West 1,320 feet; thence South 1,320 feet; thence East 1,320 feet to the point of beginning, Graham County, Kansas.

OIL AND GAS LEASES POOLED AND UNITIZED

- 1. Gosselin Lease:** Oil and Gas Lease dated April 18, 2008, recorded in Book 232, pages 611-2, from Andrew Gosselin by his attorney-in-fact Gaylen Gosselin, as Lessor, to and in favor of Lonetree Oil and Gas Company, Lessee, in so far as said lease covers:
A TRACT IN THE SOUTHEAST QUARTER (SE¹/₄) OF SECTION 25, TOWNSHIP 8 SOUTH, RANGE 22 WEST OF THE SIXTH P.M., Graham County, Kansas, Beginning at a point 1,790 feet West and 540 feet North of the Southeast Corner of said SE¹/₄, thence North 1,320 feet; thence West 850 feet; thence South 1,320 feet; thence East 850 feet to the point of beginning.
- 2. Gosselin Lease:** Oil and Gas Lease dated April 18, 2008, recorded in Book 232, pages 609-10, from Andrew Gosselin by his attorney-in-fact Gaylen Gosselin, as Lessor, to and in favor of Lonetree Oil and Gas Company, Lessee, in so far as said lease covers:
A TRACT IN THE SOUTHWEST QUARTER (SW¹/₄) OF SECTION 25, TOWNSHIP 8 SOUTH, RANGE 22 WEST OF THE SIXTH P.M., Graham County, Kansas, Beginning at a point 540 feet North of the Southeast Corner of said the SW¹/₄, thence North 1,320 feet, thence West 470 feet, thence South 1,320 feet, thence East 470 feet to the point of beginning.

TRACT PARTICIPATION

Each of the above tracts will participate on the basis of 64.4% to 35.6% in the production of oil, gas and other minerals from the Unit Area.

ROYALTY PARTICIPATION

The owner of both tracts is currently Andrew Gosselin, therefore all Royalty will be paid to:

Andrew Gosselin
3390 O Road
Bogue, KS 67625

.12500 Royalty