



For KCC Use ONLY

API # 15 - \_\_\_\_\_

### IN ALL CASES PLOT THE INTENDED WELL ON THE PLAT BELOW

In all cases, please fully complete this side of the form. Include items 1 through 5 at the bottom of this page.

Operator: \_\_\_\_\_

Lease: \_\_\_\_\_

Well Number: \_\_\_\_\_

Field: \_\_\_\_\_

Number of Acres attributable to well: \_\_\_\_\_

QTR/QTR/QTR/QTR of acreage: \_\_\_\_\_ - \_\_\_\_\_ - \_\_\_\_\_ - \_\_\_\_\_

Location of Well: County: \_\_\_\_\_

\_\_\_\_\_ feet from  N /  S Line of Section

\_\_\_\_\_ feet from  E /  W Line of Section

Sec. \_\_\_\_\_ Twp. \_\_\_\_\_ S. R. \_\_\_\_\_  E  W

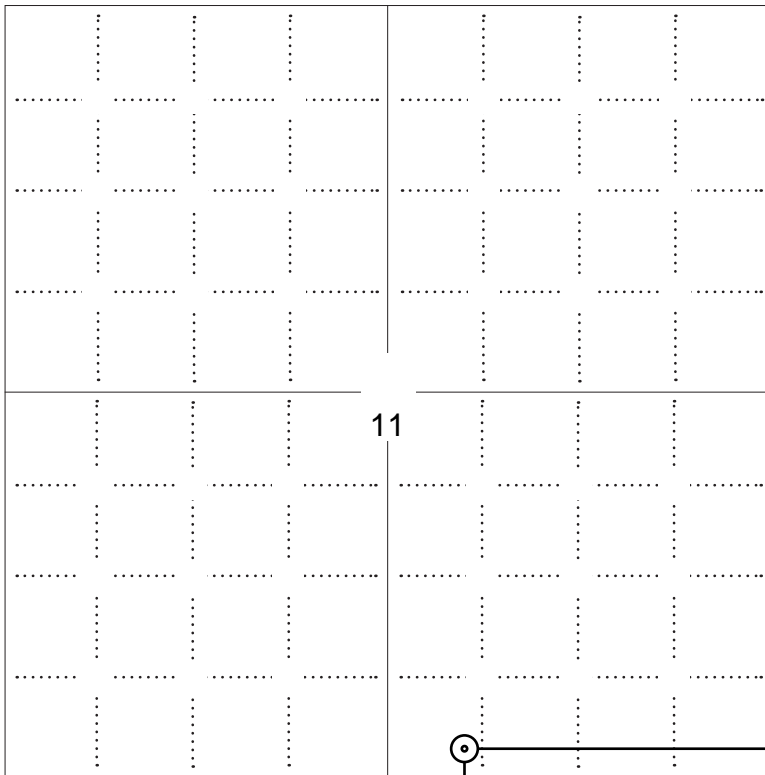
Is Section:  Regular or  Irregular

**If Section is Irregular, locate well from nearest corner boundary.**

Section corner used:  NE  NW  SE  SW

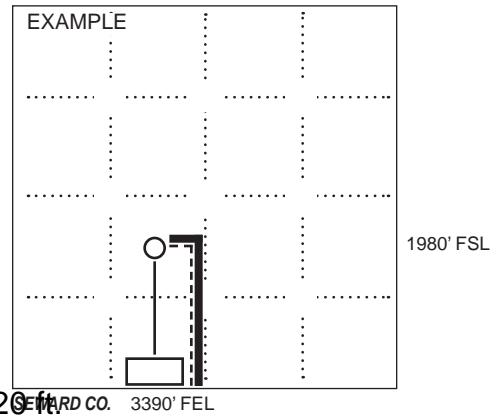
### PLAT

Show location of the well. Show footage to the nearest lease or unit boundary line. Show the predicted locations of lease roads, tank batteries, pipelines and electrical lines, as required by the Kansas Surface Owner Notice Act (House Bill 2032). You may attach a separate plat if desired.



**LEGEND**

- Well Location
- Tank Battery Location
- Pipeline Location
- Electric Line Location
- Lease Road Location



**NOTE: In all cases locate the spot of the proposed drilling locaton.**

200 ft.

**In plotting the proposed location of the well, you must show:**

1. The manner in which you are using the depicted plat by identifying section lines, i.e. 1 section, 1 section with 8 surrounding sections, 4 sections, etc.
2. The distance of the proposed drilling location from the south / north and east / west outside section lines.
3. The distance to the nearest lease or unit boundary line (in footage).
4. If proposed location is located within a prorated or spaced field a certificate of acreage attribution plat must be attached: (C0-7 for oil wells; CG-8 for gas wells).
5. The predicted locations of lease roads, tank batteries, pipelines, and electrical lines.



KANSAS CORPORATION COMMISSION 1117478  
OIL & GAS CONSERVATION DIVISION

Form CDP-1  
May 2010  
Form must be Typed

**APPLICATION FOR SURFACE PIT**

*Submit in Duplicate*

Operator Name: _____		License Number: _____	
Operator Address: _____			
Contact Person: _____		Phone Number: _____	
Lease Name & Well No.: _____		Pit Location (QQQQ): _____-_____-_____-_____	
Type of Pit: <input type="checkbox"/> Emergency Pit <input type="checkbox"/> Burn Pit <input type="checkbox"/> Settling Pit <input type="checkbox"/> Drilling Pit <input type="checkbox"/> Workover Pit <input type="checkbox"/> Haul-Off Pit <i>(If WP Supply API No. or Year Drilled)</i>		Pit is: <input type="checkbox"/> Proposed <input type="checkbox"/> Existing If Existing, date constructed: _____ Pit capacity: _____ (bbls)	
Is the pit located in a Sensitive Ground Water Area? <input type="checkbox"/> Yes <input type="checkbox"/> No		Chloride concentration: _____ mg/l <i>(For Emergency Pits and Settling Pits only)</i>	
Is the bottom below ground level? <input type="checkbox"/> Yes <input type="checkbox"/> No		Artificial Liner? <input type="checkbox"/> Yes <input type="checkbox"/> No	
How is the pit lined if a plastic liner is not used?			
Pit dimensions (all but working pits):    _____ Length (feet)    _____ Width (feet) <input type="checkbox"/> N/A: Steel Pits Depth from ground level to deepest point: _____ (feet) <input type="checkbox"/> No Pit			
If the pit is lined give a brief description of the liner material, thickness and installation procedure.		Describe procedures for periodic maintenance and determining liner integrity, including any special monitoring.	
Distance to nearest water well within one-mile of pit: _____ feet    Depth of water well _____ feet		Depth to shallowest fresh water _____ feet. Source of information: <input type="checkbox"/> measured <input type="checkbox"/> well owner <input type="checkbox"/> electric log <input type="checkbox"/> KDWR	
<b>Emergency, Settling and Burn Pits ONLY:</b> Producing Formation: _____ Number of producing wells on lease: _____ Barrels of fluid produced daily: _____ Does the slope from the tank battery allow all spilled fluids to flow into the pit? <input type="checkbox"/> Yes <input type="checkbox"/> No		<b>Drilling, Workover and Haul-Off Pits ONLY:</b> Type of material utilized in drilling/workover: _____ Number of working pits to be utilized: _____ Abandonment procedure: _____ _____ Drill pits must be closed within 365 days of spud date.	
<p><b>Submitted Electronically</b></p>			

**KCC OFFICE USE ONLY**

Liner     Steel Pit     RFAC     RFAS

Date Received: \_\_\_\_\_ Permit Number: \_\_\_\_\_ Permit Date: \_\_\_\_\_ Lease Inspection:     Yes     No



### CERTIFICATION OF COMPLIANCE WITH THE KANSAS SURFACE OWNER NOTIFICATION ACT

*This form must be submitted with all Forms C-1 (Notice of Intent to Drill); CB-1 (Cathodic Protection Borehole Intent); T-1 (Request for Change of Operator Transfer of Injection or Surface Pit Permit); and CP-1 (Well Plugging Application). Any such form submitted without an accompanying Form KSONA-1 will be returned.*

Select the corresponding form being filed:  C-1 (Intent)  CB-1 (Cathodic Protection Borehole Intent)  T-1 (Transfer)  CP-1 (Plugging Application)

OPERATOR: License # \_\_\_\_\_  
Name: \_\_\_\_\_  
Address 1: \_\_\_\_\_  
Address 2: \_\_\_\_\_  
City: \_\_\_\_\_ State: \_\_\_\_\_ Zip: \_\_\_\_\_ + \_\_\_\_\_  
Contact Person: \_\_\_\_\_  
Phone: ( \_\_\_\_\_ ) \_\_\_\_\_ Fax: ( \_\_\_\_\_ ) \_\_\_\_\_  
Email Address: \_\_\_\_\_

Well Location:  
\_\_\_\_ - \_\_\_\_ - \_\_\_\_ - \_\_\_\_ Sec. \_\_\_\_ Twp. \_\_\_\_ S. R. \_\_\_\_  East  West  
County: \_\_\_\_\_  
Lease Name: \_\_\_\_\_ Well #: \_\_\_\_\_

*If filing a Form T-1 for multiple wells on a lease, enter the legal description of the lease below:*

**Surface Owner Information:**

Name: \_\_\_\_\_  
Address 1: \_\_\_\_\_  
Address 2: \_\_\_\_\_  
City: \_\_\_\_\_ State: \_\_\_\_\_ Zip: \_\_\_\_\_ + \_\_\_\_\_

*When filing a Form T-1 involving multiple surface owners, attach an additional sheet listing all of the information to the left for each surface owner. Surface owner information can be found in the records of the register of deeds for the county, and in the real estate property tax records of the county treasurer.*

*If this form is being submitted with a Form C-1 (Intent) or CB-1 (Cathodic Protection Borehole Intent), you must supply the surface owners and the KCC with a plat showing the predicted locations of lease roads, tank batteries, pipelines, and electrical lines. The locations shown on the plat are preliminary non-binding estimates. The locations may be entered on the Form C-1 plat, Form CB-1 plat, or a separate plat may be submitted.*

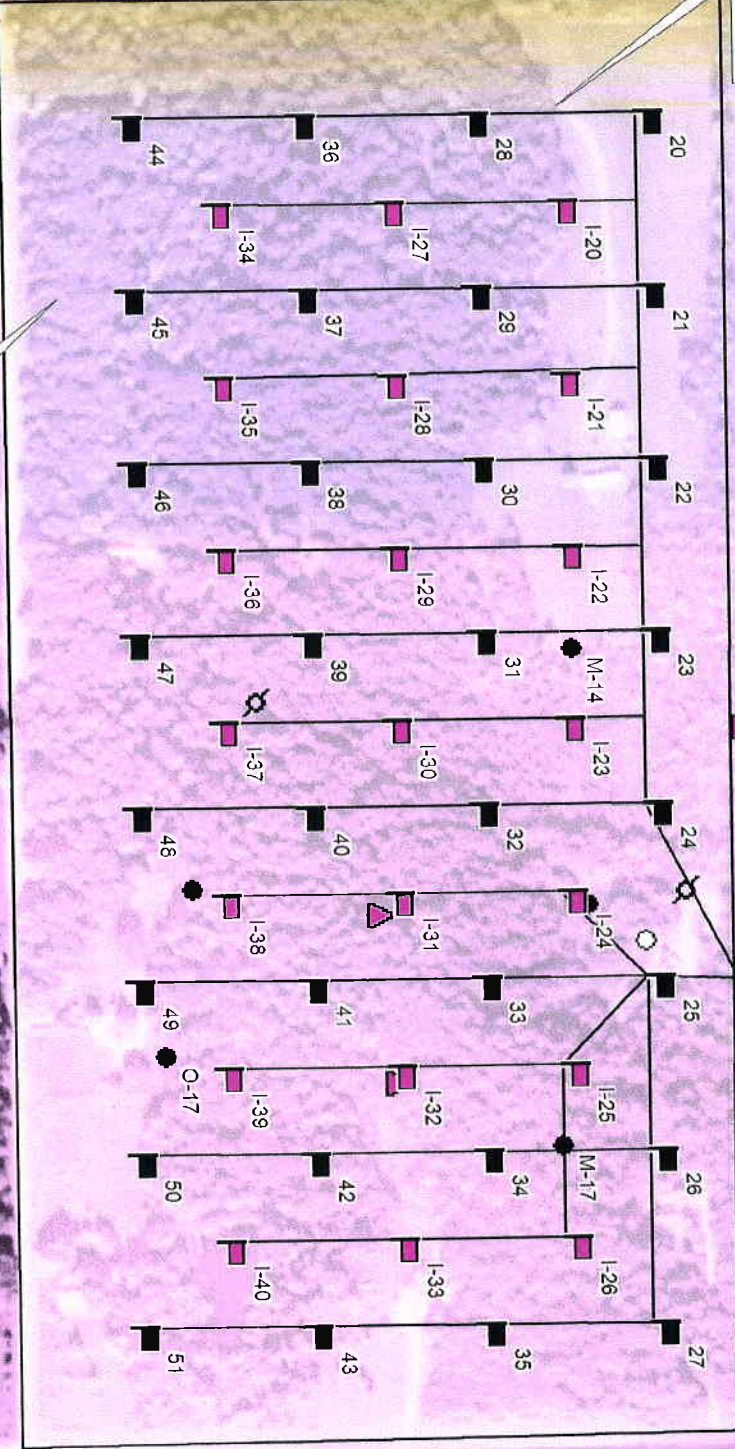
**Select one of the following:**

- I certify that, pursuant to the Kansas Surface Owner Notice Act (House Bill 2032), I have provided the following to the surface owner(s) of the land upon which the subject well is or will be located: 1) a copy of the Form C-1, Form CB-1, Form T-1, or Form CP-1 that I am filing in connection with this form; 2) if the form being filed is a Form C-1 or Form CB-1, the plat(s) required by this form; and 3) my operator name, address, phone number, fax, and email address.
- I have not provided this information to the surface owner(s). I acknowledge that, because I have not provided this information, the KCC will be required to send this information to the surface owner(s). To mitigate the additional cost of the KCC performing this task, I acknowledge that I am being charged a \$30.00 handling fee, payable to the KCC, which is enclosed with this form.

*If choosing the second option, submit payment of the \$30.00 handling fee with this form. If the fee is not received with this form, the KSONA-1 form and the associated Form C-1, Form CB-1, Form T-1, or Form CP-1 will be returned.*

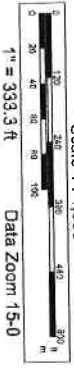
I Submitted Electronically

Roads and Pipelines (est)



FINNERTY

Data use subject to license.  
© Delorme, Topo North America™ 9.  
www.delorme.com



RT Enterprises of Kansas  
P.O. Box 339  
Louisburg, KS 66053

---

John Fortin  
1852 N. 100 RD  
Baldwin City, KS 66006

Mr. Fortin,

This letter is to notify you that R.T. Enterprises of Kansas submitted intents to drill wells within 660 feet of your water well. The wells are located in Sec 11 Twp 15 R20E. See attachment for well locations. This notification is required by the Kansas Commission Corporation.

If you should have any questions, please do not hesitate to contact me at (913) 710-5400.

Regards,

A handwritten signature in blue ink, appearing to read "Lance Town".

Lance Town  
RT Enterprises of Kansas

RT Enterprises of Kansas  
P.O. Box 339  
Louisburg, KS 66053

---

Gayla Spradling  
1870 N. 100 RD  
Baldwin City, KS 66006

Ms Spradling,

This letter is to notify you that R.T. Enterprises of Kansas submitted intents to drill wells within 660 feet of your water well. The wells are located in Sec 11 Twp 15 R20E. See attachment for well locations. This notification is required by the Kansas Commission Corporation.

If you should have any questions, please do not hesitate to contact me at (913) 710-5400.

Regards,



Lance Town  
RT Enterprises of Kansas

RT Enterprises of Kansas  
P.O. Box 339  
Louisburg, KS 66053

---

Kyle Stout  
1205 Miami St.  
Baldwin City, KS 66006

Mr. Stout,

This letter is to notify you that R.T. Enterprises of Kansas submitted intents to drill wells within 660 feet of your water well. The wells are located in Sec 11 Twp 15 R20E. See attachment for well locations. This notification is required by the Kansas Commission Corporation.

If you should have any questions, please do not hesitate to contact me at (913) 710-5400.

Regards,



Lance Town  
RT Enterprises of Kansas

RT Enterprises of Kansas  
P.O. Box 339  
Louisburg, KS 66053

---

Scott Adamson  
123 E. 1900 RD  
Baldwin City, KS 66006

Mr. Adamson,

This letter is to notify you that R.T. Enterprises of Kansas submitted intents to drill wells within 660 feet of your water well. The wells are located in Sec 11 Twp 15 R20E. See attachment for well locations. This notification is required by the Kansas Commission Corporation.

If you should have any questions, please do not hesitate to contact me at (913) 710-5400.

Regards,



Lance Town  
RT Enterprises of Kansas

RT Enterprises of Kansas  
P.O. Box 339  
Louisburg, KS 66053

---

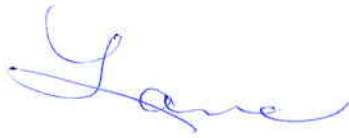
Sally Sudja  
113 E. 1900 RD  
Baldwin City, KS 66006

Ms. Sudja,

This letter is to notify you that R.T. Enterprises of Kansas submitted intents to drill wells within 660 feet of your water well. The wells are located in Sec 11 Twp 15 R20E. See attachment for well locations. This notification is required by the Kansas Commission Corporation.

If you should have any questions, please do not hesitate to contact me at (913) 710-5400.

Regards,

A handwritten signature in blue ink, appearing to read "Lance", written in a cursive style.

Lance Town  
RT Enterprises of Kansas

RT Enterprises of Kansas  
P.O. Box 339  
Louisburg, KS 66053

---

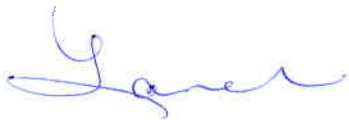
Sally Gronniger  
113 E. 1900 RD  
Baldwin City, KS 66006

Ms. Gronniger,

This letter is to notify you that R.T. Enterprises of Kansas submitted intents to drill wells within 660 feet of your water well. The wells are located in Sec 11 Twp 15 R20E. See attachment for well locations. This notification is required by the Kansas Commission Corporation.

If you should have any questions, please do not hesitate to contact me at (913) 710-5400.

Regards,



Lance Town  
RT Enterprises of Kansas

RT Enterprises of Kansas  
P.O. Box 339  
Louisburg, KS 66053

---

William Shirley  
317 Canary Lane  
Iola, KS 66749

Mr. Shirley,

This letter is to notify you that R.T. Enterprises of Kansas submitted intents to drill wells within 660 feet of your water well. The wells are located in Sec 11 Twp 15 R20E. See attachment for well locations. This notification is required by the Kansas Commission Corporation.

If you should have any questions, please do not hesitate to contact me at (913) 710-5400.

Regards,

A handwritten signature in blue ink, appearing to read "Lance Town".

Lance Town  
RT Enterprises of Kansas

Finnerty Drilling - 2/12/13 - S/2 SE/4 of 11-15S-20E						
Well	Lat	Lon	FSL	FEL	NB	NOTES
20	38.75617	95.15736	1155	2440	165	
21	38.75617	95.15623	1155	2120	165	
22	38.75617	95.15511	1155	1800	165	
23	38.75617	95.15399	1155	1480	165	
24	38.75617	95.15287	1155	1160	165	
25	38.75617	95.15175	1155	840	165	
26	38.75617	95.15063	1155	520	165	
27	38.75617	95.14951	1155	200	165	
28	38.75530	95.15736	835	2440	200	
29	38.75530	95.15623	835	2120	485	
30	38.75530	95.15511	835	1800	485	
31	38.75530	95.15399	835	1480	485	
32	38.75530	95.15287	835	1160	485	
33	38.75530	95.15175	835	840	485	
34	38.75530	95.15063	835	520	485	
35	38.75530	95.14951	835	200	200	
36	38.75442	95.15736	515	2440	200	
37	38.75442	95.15623	515	2120	515	
38	38.75442	95.15511	515	1800	515	
39	38.75442	95.15399	515	1480	515	
40	38.75442	95.15287	515	1160	515	
41	38.75442	95.15175	515	840	515	
42	38.75442	95.15063	515	520	515	
43	38.75442	95.14951	515	200	200	
44	38.75355	95.15736	200	2440	200	
45	38.75355	95.15623	200	2120	200	
46	38.75355	95.15511	200	1800	200	
47	38.75355	95.15399	200	1480	200	
48	38.75355	95.15287	200	1160	200	
49	38.75355	95.15175	200	840	200	
50	38.75355	95.15063	200	520	200	
51	38.75355	95.14951	200	200	200	
I-20	38.75574	95.15679	1000	2280	325	
I-21	38.75574	95.15567	1000	1960	325	
I-22	38.75574	95.15455	1000	1640	325	
I-23	38.75574	95.15343	1000	1320	325	
I-24	38.75574	95.15231	1000	1000	325	By Oil Well M-15
I-25	38.75574	95.15118	1000	680	325	
I-26	38.75574	95.15006	1000	360	325	
I-27	38.75486	95.15679	680	2280	360	
I-28	38.75486	95.15567	680	1960	645	
I-29	38.75486	95.15455	680	1640	645	
I-30	38.75486	95.15343	680	1320	645	
I-31	38.75486	95.15231	680	1000	645	By Injector 115-N
I-32	38.75486	95.15118	680	680	645	By Injector 116-N
I-33	38.75486	95.15006	680	360	360	
I-34	38.75399	95.15679	360	2280	360	
I-35	38.75399	95.15567	360	1960	360	
I-36	38.75399	95.15455	360	1640	360	
I-37	38.75399	95.15343	360	1320	360	
I-38	38.75399	95.15231	360	1000	360	By Plugged Well O-14
I-39	38.75399	95.15118	360	680	360	By Oil Well O-15
I-40	38.75399	95.15006	360	360	360	

Conservation Division  
Finney State Office Building  
130 S. Market, Rm. 2078  
Wichita, KS 67202-3802



Phone: 316-337-6200  
Fax: 316-337-6211  
<http://kcc.ks.gov/>

Mark Sievers, Chairman  
Thomas E. Wright, Commissioner  
Shari Feist Albrecht, Commissioner

Sam Brownback, Governor

March 06, 2013

Lance Town  
R.T. Enterprises of Kansas, Inc.  
120 SHORELINE DR  
LOUISBURG, KS 66053

Re: Drilling Pit Application  
Finnerty 45  
SE/4 Sec.11-15S-20E  
Douglas County, Kansas

Dear Lance Town:

District staff has inspected the above referenced location and has determined that the reserve pit shall be constructed **without slots**, the bottom shall be flat and reasonably level, and the free fluids must be removed. The fluids are to be removed from the reserve pit as soon as practical after drilling operations have ceased.

**If production casing is set all completion fluids shall be removed from the working pits daily. NO completion fluids or non-exempt wastes shall be placed in the reserve pit.**

The fluids should be taken to an authorized disposal well. Please call the District Office at (620) 432-2300 when the fluids have been removed. Please file form CDP-5 (August 2008), Exploration and Production Waste Transfer, through KOLAR within 30 days of fluid removal.

**A copy of this letter should be posted in the doghouse along with the approved Intent to Drill.** If you have any questions or concerns please feel free to contact the District Office at (620) 432-2300.