

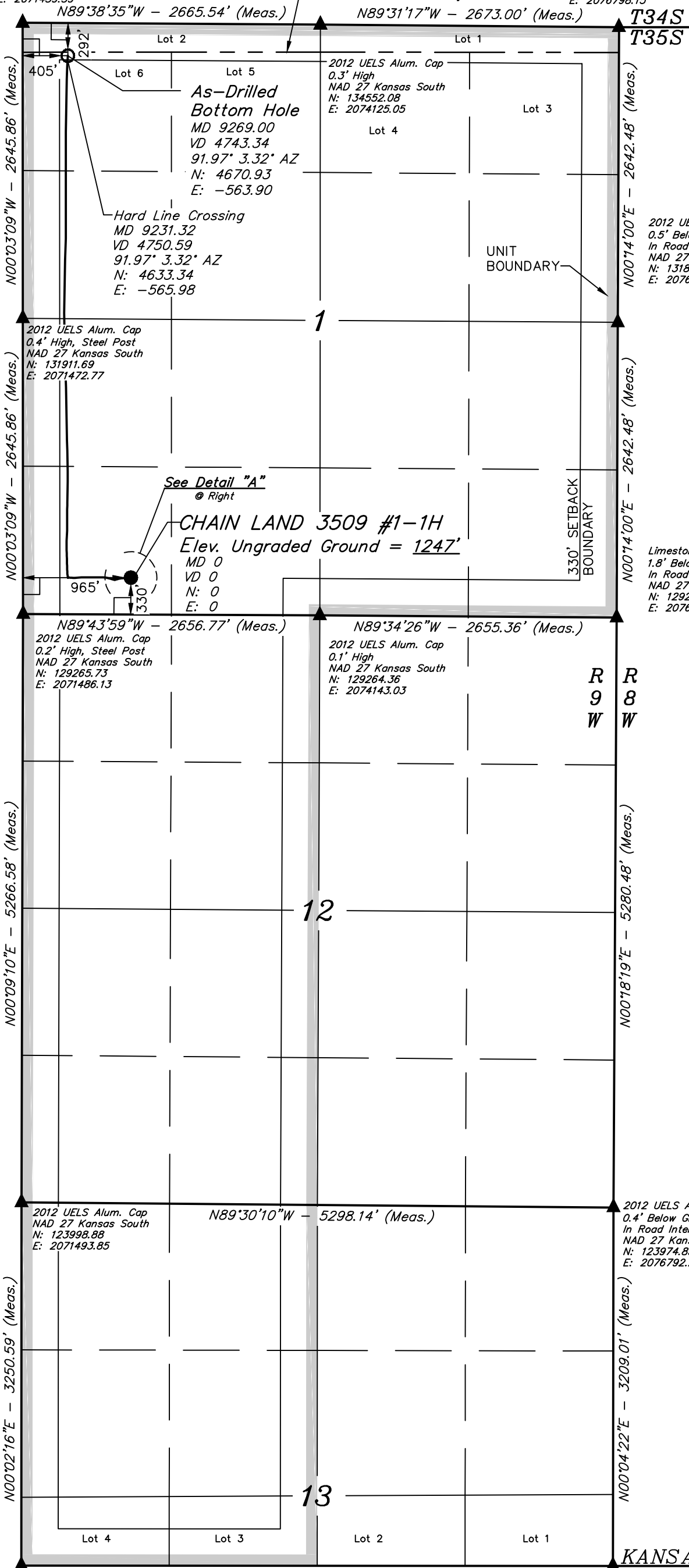
T35S, R9W, 6th P.M.

SGOMI

2.5" Alum. Cap
NAD 27 Kansas South
N: 134557.64
E: 2071459.39

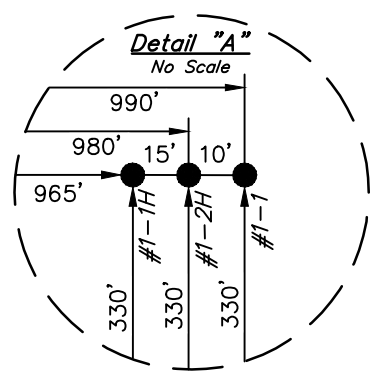
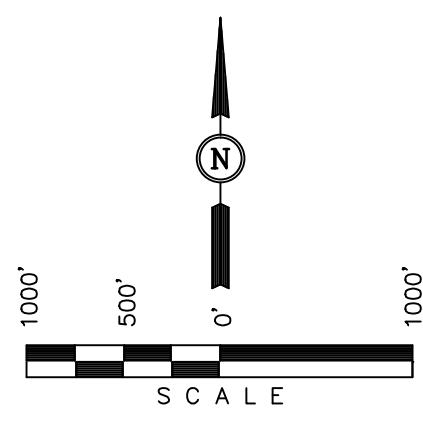
1/2" Rebar W/Limestone
Fragments,
In Road Intersection
NAD 27 Kansas South
N: 134540.83
E: 2076798.15

Well location, CHAIN LAND 3509 #1-1H, located as shown in the SW 1/4 SW 1/4 of Section 1, T35S, R9W, 6th P.M., Harper County, Kansas.



BASIS OF ELEVATION
SPOT ELEVATION LOCATED AT THE NORTHEAST CORNER OF SECTION 22, T33S, R7W, 6th P.M. TAKEN FROM THE ANTHONY, QUADRANGLE, KANSAS, HARPER COUNTY, 7.5 MINUTE QUAD (TOPOGRAPHIC MAP) PUBLISHED BY THE UNITED STATES DEPARTMENT OF THE INTERIOR, GEOLOGICAL SURVEY. SAID ELEVATION IS MARKED AS BEING 1348 FEET.

BASIS OF BEARINGS
BASIS OF BEARINGS IS A G.P.S. OBSERVATION.



- LEGEND:**
- └─┘ = 90° SYMBOL
 - = PROPOSED WELL HEAD.
 - ▲ = SECTION CORNERS LOCATED.

CERTIFICATE
THIS IS TO CERTIFY THAT THE ABOVE PLAT WAS PREPARED FROM FIELD NOTES OF ACTUAL SURVEYS MADE BY ME OR UNDER MY SUPERVISION AND THAT THE SAME ARE TRUE AND CORRECT TO THE BEST OF MY KNOWLEDGE AND BELIEF.
Justin S. ...
REGISTERED LAND SURVEYOR
REGISTRATION NO. 1451
STATE OF KANSAS

UINTAH ENGINEERING & LAND SURVEYING
85 SOUTH 200 EAST - VERNAL, UTAH 84078
(435) 789-1017

SCALE 1" = 1000'	DATE SURVEYED: 01-14-13	DATE DRAWN: 01-21-13
PARTY J.P. B.L. C.A.G.	REFERENCES G.L.O. PLAT	
WEATHER COLD	FILE SGOMI	

NAD 83 (#1-1H AS-DRILLED BOTTOM HOLE) LATITUDE = 37°02'06.60" (37.035167) LONGITUDE = 98°15'14.98" (98.254161)	NAD 83 (#1-1H SURFACE LOCATION) LATITUDE = 37°01'20.43" (37.022342) LONGITUDE = 98°15'07.94" (98.252206)
NAD 27 (#1-1H AS-DRILLED BOTTOM HOLE) LATITUDE = 37°02'06.51" (37.035142) LONGITUDE = 98°15'13.74" (98.253817)	NAD 27 (#1-1H SURFACE LOCATION) LATITUDE = 37°01'20.33" (37.022314) LONGITUDE = 98°15'06.70" (98.251861)
STATE PLANE NAD 27 (KANSAS SOUTH) N: 134264.39 E: 2071866.25	STATE PLANE NAD 27 (KANSAS SOUTH) N: 129595.60 E: 2072449.48

Set Alum. Cap,
0.1' High
NAD 27 Kansas South
N: 120748.13
E: 2071505.15

2012 UELS Alum. Cap
0.5' Below Ground,
In Road
NAD 27 Kansas South
N: 120765.67
E: 2076801.41

KANSAS OKLAHOMA