

Corrected Copy: 3/28/13

KSONA - Potential Tank Battery Location and Lease Road

PLOT OF THE INTENDED WELL

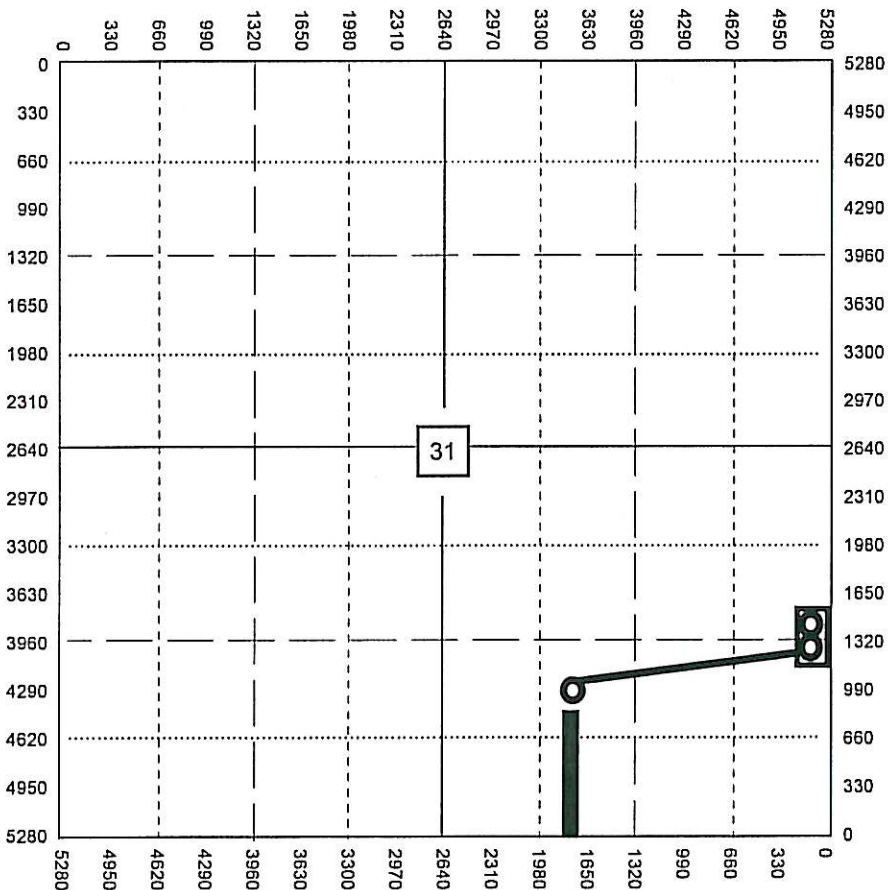
Operator: McCoy Petroleum Corporation
 Lease: STEWART "A"
 Well Number: #2-31
 Field: Love-Three North
 Number of Acres attributable to well: 160
 QTR/QTR/QTR/QTR of acreage: NE SW SE

Location of Well: County: 100'W of NE SW SE Sumner Co.
990 feet from N / S Line of Section
1750 feet from E / W Line of Section
 Sec 31 Twp. 31 S Rng. 3 E W
 Is Section Regular or Irregular

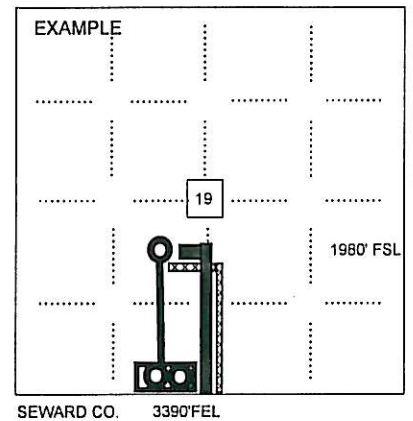
If Section is Irregular, locate well from nearest corner boundary.
 Section corner used: NE NW SE SW

PLAT

*Show the predicted locations of lease roads, tank batteries, pipelines and electrical lines,
 as required by the Kansas Surface Owner Notice Act (House Bill 2032).*



- LEGEND**
- Well Location
 - Tank Battery Location
 - Pipeline Location
 - Electric Line Location
 - Lease Road Location



NOTE: Spot of the proposed drilling location.