

T22S, R8W, 6th P.M.

SGOMI

Well location, WILKEY TRUST 2208 #26-1H, located as shown in the NE 1/4 NW 1/4 of Section 26, T22S, R8W, 6th P.M., Reno County, Kansas.

BASIS OF ELEVATION

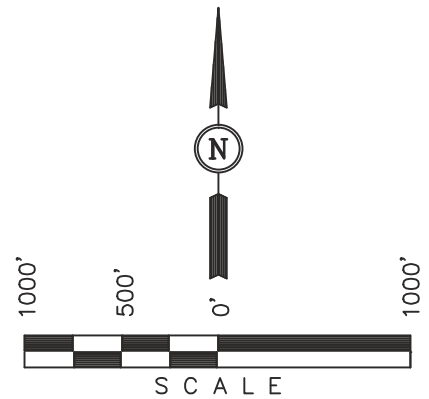
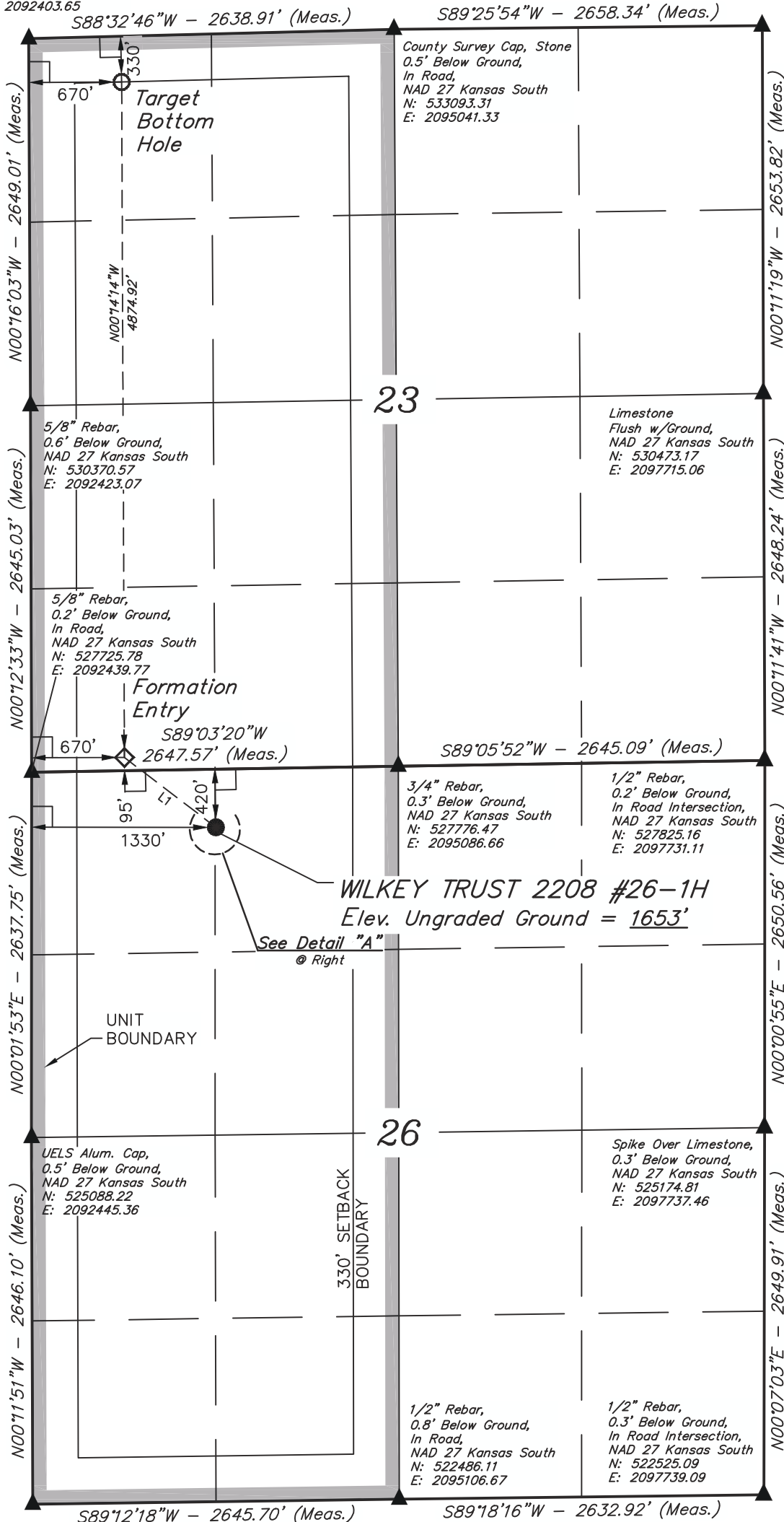
SPOT ELEVATION LOCATED AT THE SOUTHWEST CORNER OF SECTION 18, T23S, R8W, 6th P.M. TAKEN FROM THE ALDEN SE, QUADRANGLE, KANSAS, RENO COUNTY, 7.5 MINUTE QUAD (TOPOGRAPHIC MAP) PUBLISHED BY THE UNITED STATES DEPARTMENT OF THE INTERIOR, GEOLOGICAL SURVEY, SAID ELEVATION IS MARKED AS BEING 1688 FEET.

BASIS OF BEARINGS

BASIS OF BEARINGS IS A G.P.S. OBSERVATION.

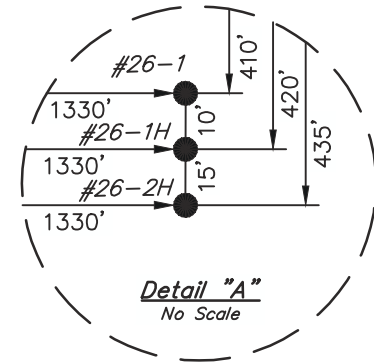
YPC, Flush w/Ground,
In Road,
NAD 27 Kansas South
N: 533019.32
E: 2092403.65

County Survey Cap,
Stone, 0.9' Below Ground,
In Road Intersection,
NAD 27 Kansas South
N: 533126.75
E: 2097699.26



LEGEND:

- └─┘ = 90° SYMBOL
- = PROPOSED WELL HEAD.
- ▲ = SECTION CORNERS LOCATED.



UELS Alum. Cap,
NAD 27 Kansas South
N: 522442.36
E: 2092461.53

LINE TABLE		
LINE	DIRECTION	LENGTH
L1	N52°37'46"W	830.59'

CERTIFICATE

THIS IS TO CERTIFY THAT THE ABOVE PLAT WAS PREPARED FROM FIELD NOTES OF ACTUAL SURVEYS MADE BY ME OR UNDER MY SUPERVISION AND THAT THE SAME ARE TRUE AND CORRECT TO THE BEST OF MY KNOWLEDGE AND BELIEF.

REGISTERED LAND SURVEYOR
REGISTRATION NO. 14517
STATE OF KANSAS

REVISED: 03-26-13 C.A.G.
REVISED: 01-28-13 C.A.G.

UINTAH ENGINEERING & LAND SURVEYING
85 SOUTH 200 EAST - VERNAL, UTAH 84078
(435) 789-1017

NAD 83 (#26-1H TARGET BOTTOM HOLE)		NAD 83 (#26-1H FORMATION ENTRY)		NAD 83 (#26-1H SURFACE LOCATION)	
LATITUDE = 38°07'45.26" (38.129239)	LATITUDE = 38°06'57.11" (38.115864)	LATITUDE = 38°06'52.12" (38.114478)	LATITUDE = 38°07'45.22" (38.129228)	LATITUDE = 38°06'57.06" (38.115850)	LATITUDE = 38°06'52.07" (38.114464)
LONGITUDE = 98°10'36.30" (98.176750)	LONGITUDE = 98°10'36.14" (98.176706)	LONGITUDE = 98°10'27.89" (98.174414)	LONGITUDE = 98°10'35.08" (98.176411)	LONGITUDE = 98°10'34.92" (98.176367)	LONGITUDE = 98°10'26.67" (98.174075)
STATE PLANE NAD 27 (KANSAS SOUTH) N: 532704.16 E: 2093079.27	STATE PLANE NAD 27 (KANSAS SOUTH) N: 527833.61 E: 2093109.06	STATE PLANE NAD 27 (KANSAS SOUTH) N: 527331.26 E: 2093770.44	STATE PLANE NAD 27 (KANSAS SOUTH) N: 522442.36 E: 2092461.53	STATE PLANE NAD 27 (KANSAS SOUTH) N: 522486.11 E: 2095106.67	STATE PLANE NAD 27 (KANSAS SOUTH) N: 522525.09 E: 2097739.09

SCALE 1" = 1000'	DATE SURVEYED: 01-10-13	DATE DRAWN: 01-14-13
PARTY C.B. D.W. S.F.	REFERENCES G.L.O. PLAT	
WEATHER COLD	FILE SGOMI	