

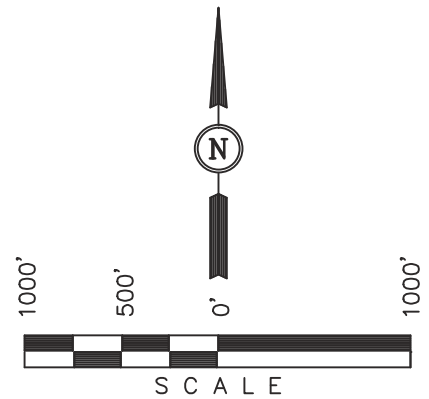
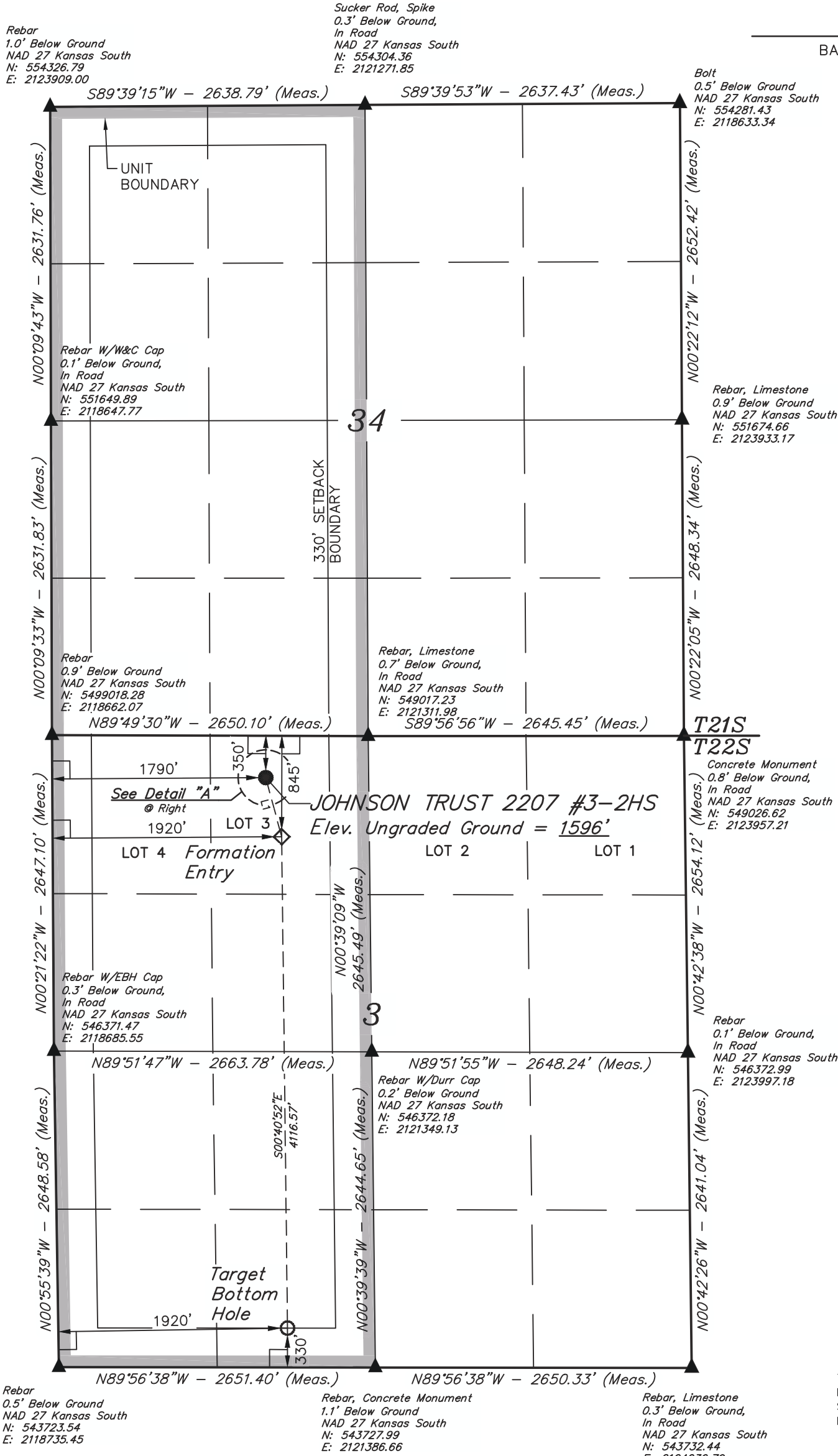
Well location, JOHNSON TRUST 2207 #3-2HS, located as shown in Lot 3 of Section 3, T22S, R7W, 6th P.M., Reno County, Kansas.

BASIS OF ELEVATION

SPOT ELEVATION LOCATED AT THE SW CORNER OF SECTION 18, T22S, R7W, 6th P.M. TAKEN FROM THE ALDEN SE, QUADRANGLE, KANSAS, RENO COUNTY, 7.5 MINUTE QUAD (TOPOGRAPHIC MAP) PUBLISHED BY THE UNITED STATES DEPARTMENT OF THE INTERIOR, GEOLOGICAL SURVEY, SAID ELEVATION IS MARKED AS BEING 1688 FEET.

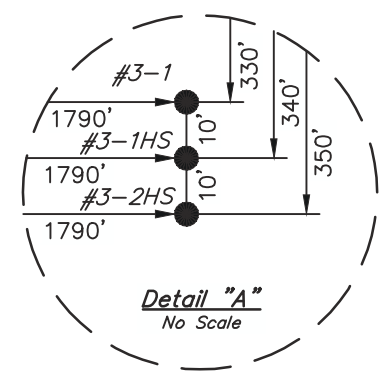
BASIS OF BEARINGS

BASIS OF BEARINGS IS A G.P.S. OBSERVATION.



LEGEND:

- └─┘ = 90° SYMBOL
- = PROPOSED WELL HEAD.
- ▲ = SECTION CORNERS LOCATED.



LINE TABLE		
LINE	DIRECTION	LENGTH
L1	S15°03'09"E	513.03'

CERTIFICATE  
 THIS IS TO CERTIFY THAT THE ABOVE PLAT WAS PREPARED FROM FIELD NOTES OF ACTUAL SURVEYS MADE BY ME OR UNDER MY SUPERVISION AND THAT THE SAME ARE TRUE AND CORRECT TO THE BEST OF MY KNOWLEDGE AND BELIEF.  
 Justin S. ...  
 REGISTERED LAND SURVEYOR  
 REGISTRATION NO. NSR  
 STATE OF KANSAS

REVISED: 03-28-13 C.A.G.

**UINTAH ENGINEERING & LAND SURVEYING**  
 85 SOUTH 200 EAST - VERNAL, UTAH 84078  
 (435) 789-1017

SCALE 1" = 1000'	DATE SURVEYED: 02-11-13	DATE DRAWN: 02-13-13
PARTY B.L. T.B. C.A.G.	REFERENCES G.L.O. PLAT	
WEATHER COLD	FILE SGOMI	

NAD 83 (#3-2HS TARGET BOTTOM HOLE)	NAD 83 (#3-2HS FORMATION ENTRY)	NAD 83 (#3-2HS SURFACE LOCATION)
LATITUDE = 38°09'36.40" (38.160111) LONGITUDE = 98°04'50.60" (98.080722)	LATITUDE = 38°10'17.10" (38.171417) LONGITUDE = 98°04'51.12" (98.080867)	LATITUDE = 38°10'22.00" (38.172778) LONGITUDE = 98°04'52.78" (98.081328)
LATITUDE = 38°09'36.36" (38.160100) LONGITUDE = 98°04'49.40" (98.080389)	LATITUDE = 38°10'17.06" (38.171406) LONGITUDE = 98°04'49.92" (98.080533)	LATITUDE = 38°10'21.96" (38.172767) LONGITUDE = 98°04'51.57" (98.080992)
STATE PLANE NAD 27 (KANSAS SOUTH) N: 544056.73 E: 2120649.37	STATE PLANE NAD 27 (KANSAS SOUTH) N: 548172.57 E: 2120589.50	STATE PLANE NAD 27 (KANSAS SOUTH) N: 548667.61 E: 2120454.96