



For KCC Use ONLY

API # 15 - \_\_\_\_\_

**IN ALL CASES PLOT THE INTENDED WELL ON THE PLAT BELOW**

In all cases, please fully complete this side of the form. Include items 1 through 5 at the bottom of this page.

Operator: \_\_\_\_\_

Lease: \_\_\_\_\_

Well Number: \_\_\_\_\_

Field: \_\_\_\_\_

Number of Acres attributable to well: \_\_\_\_\_

QTR/QTR/QTR/QTR of acreage: \_\_\_\_\_ - \_\_\_\_\_ - \_\_\_\_\_ - \_\_\_\_\_

Location of Well: County: \_\_\_\_\_

\_\_\_\_\_ feet from  N /  S Line of Section

\_\_\_\_\_ feet from  E /  W Line of Section

Sec. \_\_\_\_\_ Twp. \_\_\_\_\_ S. R. \_\_\_\_\_  E  W

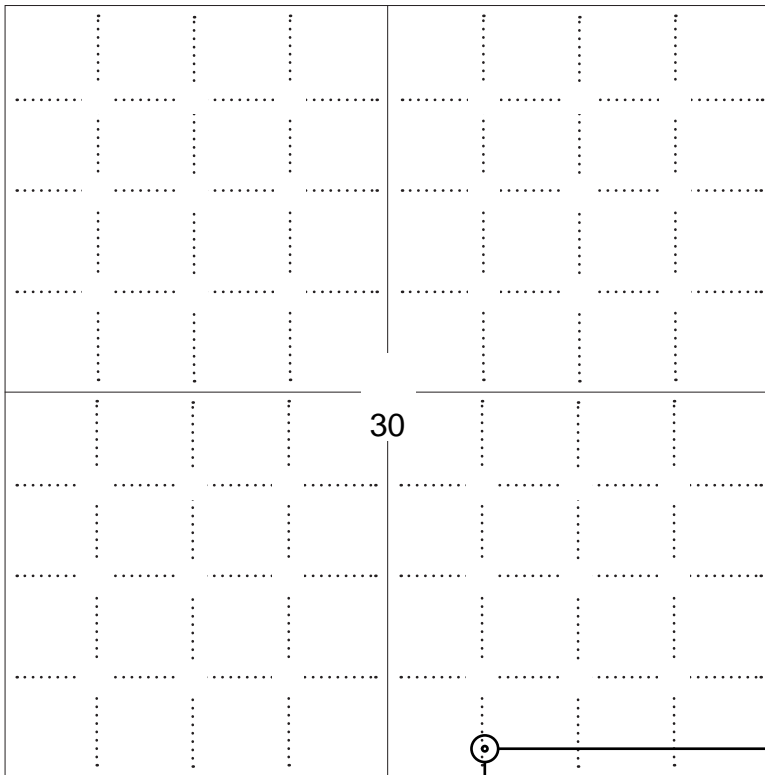
Is Section:  Regular or  Irregular

**If Section is Irregular, locate well from nearest corner boundary.**

Section corner used:  NE  NW  SE  SW

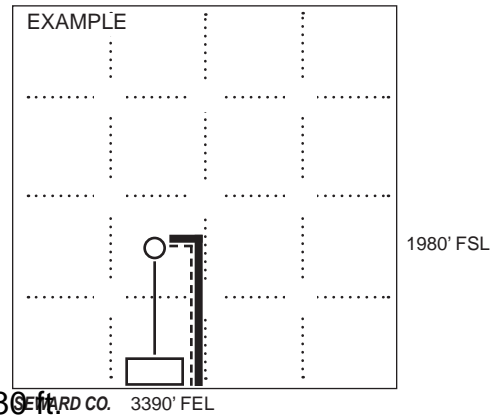
**PLAT**

Show location of the well. Show footage to the nearest lease or unit boundary line. Show the predicted locations of lease roads, tank batteries, pipelines and electrical lines, as required by the Kansas Surface Owner Notice Act (House Bill 2032). You may attach a separate plat if desired.



**LEGEND**

- Well Location
- Tank Battery Location
- Pipeline Location
- Electric Line Location
- Lease Road Location



**NOTE: In all cases locate the spot of the proposed drilling locaton.**

200 ft.

**In plotting the proposed location of the well, you must show:**

1. The manner in which you are using the depicted plat by identifying section lines, i.e. 1 section, 1 section with 8 surrounding sections, 4 sections, etc.
2. The distance of the proposed drilling location from the south / north and east / west outside section lines.
3. The distance to the nearest lease or unit boundary line (in footage).
4. If proposed location is located within a prorated or spaced field a certificate of acreage attribution plat must be attached: (C0-7 for oil wells; CG-8 for gas wells).
5. The predicted locations of lease roads, tank batteries, pipelines, and electrical lines.

**APPLICATION FOR SURFACE PIT**

*Submit in Duplicate*

Operator Name: _____		License Number: _____	
Operator Address: _____			
Contact Person: _____		Phone Number: _____	
Lease Name & Well No.: _____		Pit Location (QQQQ): _____-_____-_____-_____	
Type of Pit: <input type="checkbox"/> Emergency Pit <input type="checkbox"/> Burn Pit <input type="checkbox"/> Settling Pit <input type="checkbox"/> Drilling Pit <input type="checkbox"/> Workover Pit <input type="checkbox"/> Haul-Off Pit <i>(If WP Supply API No. or Year Drilled)</i>		Pit is: <input type="checkbox"/> Proposed <input type="checkbox"/> Existing If Existing, date constructed: _____ Pit capacity: _____ (bbls)	
Is the pit located in a Sensitive Ground Water Area? <input type="checkbox"/> Yes <input type="checkbox"/> No		Chloride concentration: _____ mg/l <i>(For Emergency Pits and Settling Pits only)</i>	
Is the bottom below ground level? <input type="checkbox"/> Yes <input type="checkbox"/> No		Artificial Liner? <input type="checkbox"/> Yes <input type="checkbox"/> No	
How is the pit lined if a plastic liner is not used?		_____	
Pit dimensions (all but working pits):    _____ Length (feet)    _____ Width (feet) <input type="checkbox"/> N/A: Steel Pits Depth from ground level to deepest point: _____ (feet) <input type="checkbox"/> No Pit			
If the pit is lined give a brief description of the liner material, thickness and installation procedure.		Describe procedures for periodic maintenance and determining liner integrity, including any special monitoring.	
Distance to nearest water well within one-mile of pit: _____ feet    Depth of water well _____ feet		Depth to shallowest fresh water _____ feet. Source of information: <input type="checkbox"/> measured <input type="checkbox"/> well owner <input type="checkbox"/> electric log <input type="checkbox"/> KDWR	
<b>Emergency, Settling and Burn Pits ONLY:</b> Producing Formation: _____ Number of producing wells on lease: _____ Barrels of fluid produced daily: _____ Does the slope from the tank battery allow all spilled fluids to flow into the pit? <input type="checkbox"/> Yes <input type="checkbox"/> No		<b>Drilling, Workover and Haul-Off Pits ONLY:</b> Type of material utilized in drilling/workover: _____ Number of working pits to be utilized: _____ Abandonment procedure: _____ _____ Drill pits must be closed within 365 days of spud date.	
Submitted Electronically			

<b>KCC OFFICE USE ONLY</b>			
Date Received: _____		Permit Number: _____	
Permit Date: _____		Lease Inspection: <input type="checkbox"/> Yes <input type="checkbox"/> No	
<input type="checkbox"/> Liner		<input type="checkbox"/> Steel Pit <input type="checkbox"/> RFAC <input type="checkbox"/> RFAS	



### CERTIFICATION OF COMPLIANCE WITH THE KANSAS SURFACE OWNER NOTIFICATION ACT

*This form must be submitted with all Forms C-1 (Notice of Intent to Drill); CB-1 (Cathodic Protection Borehole Intent); T-1 (Request for Change of Operator Transfer of Injection or Surface Pit Permit); and CP-1 (Well Plugging Application). Any such form submitted without an accompanying Form KSONA-1 will be returned.*

Select the corresponding form being filed:  C-1 (Intent)  CB-1 (Cathodic Protection Borehole Intent)  T-1 (Transfer)  CP-1 (Plugging Application)

OPERATOR: License # \_\_\_\_\_  
Name: \_\_\_\_\_  
Address 1: \_\_\_\_\_  
Address 2: \_\_\_\_\_  
City: \_\_\_\_\_ State: \_\_\_\_\_ Zip: \_\_\_\_\_ + \_\_\_\_\_  
Contact Person: \_\_\_\_\_  
Phone: ( \_\_\_\_\_ ) \_\_\_\_\_ Fax: ( \_\_\_\_\_ ) \_\_\_\_\_  
Email Address: \_\_\_\_\_

Well Location:  
\_\_\_\_ - \_\_\_\_ - \_\_\_\_ - \_\_\_\_ Sec. \_\_\_\_ Twp. \_\_\_\_ S. R. \_\_\_\_  East  West  
County: \_\_\_\_\_  
Lease Name: \_\_\_\_\_ Well #: \_\_\_\_\_

*If filing a Form T-1 for multiple wells on a lease, enter the legal description of the lease below:*

**Surface Owner Information:**

Name: \_\_\_\_\_  
Address 1: \_\_\_\_\_  
Address 2: \_\_\_\_\_  
City: \_\_\_\_\_ State: \_\_\_\_\_ Zip: \_\_\_\_\_ + \_\_\_\_\_

*When filing a Form T-1 involving multiple surface owners, attach an additional sheet listing all of the information to the left for each surface owner. Surface owner information can be found in the records of the register of deeds for the county, and in the real estate property tax records of the county treasurer.*

*If this form is being submitted with a Form C-1 (Intent) or CB-1 (Cathodic Protection Borehole Intent), you must supply the surface owners and the KCC with a plat showing the predicted locations of lease roads, tank batteries, pipelines, and electrical lines. The locations shown on the plat are preliminary non-binding estimates. The locations may be entered on the Form C-1 plat, Form CB-1 plat, or a separate plat may be submitted.*

**Select one of the following:**

- I certify that, pursuant to the Kansas Surface Owner Notice Act (House Bill 2032), I have provided the following to the surface owner(s) of the land upon which the subject well is or will be located: 1) a copy of the Form C-1, Form CB-1, Form T-1, or Form CP-1 that I am filing in connection with this form; 2) if the form being filed is a Form C-1 or Form CB-1, the plat(s) required by this form; and 3) my operator name, address, phone number, fax, and email address.
- I have not provided this information to the surface owner(s). I acknowledge that, because I have not provided this information, the KCC will be required to send this information to the surface owner(s). To mitigate the additional cost of the KCC performing this task, I acknowledge that I am being charged a \$30.00 handling fee, payable to the KCC, which is enclosed with this form.

*If choosing the second option, submit payment of the \$30.00 handling fee with this form. If the fee is not received with this form, the KSONA-1 form and the associated Form C-1, Form CB-1, Form T-1, or Form CP-1 will be returned.*

Submitted Electronically

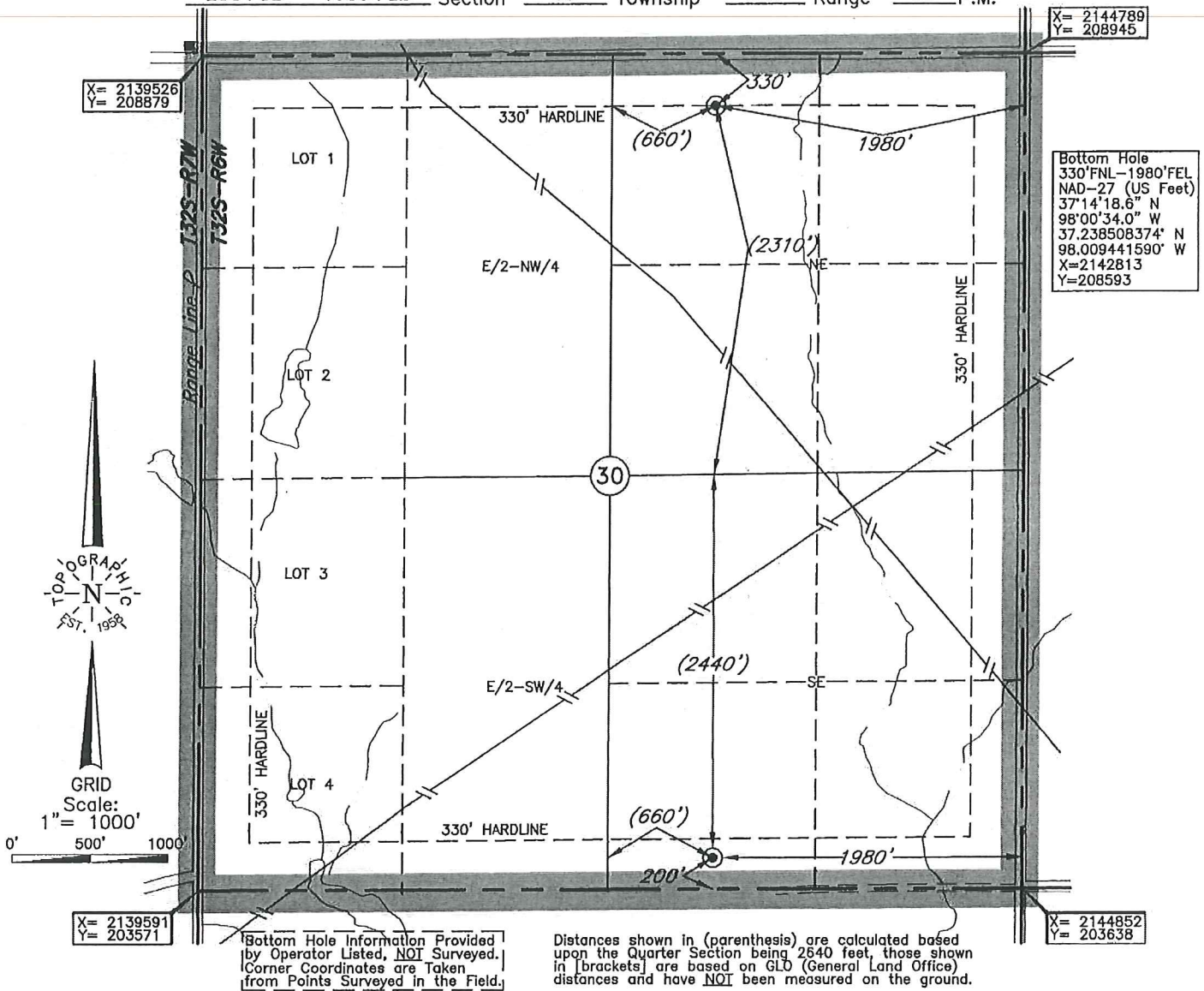
**TOPOGRAPHIC LAND SURVEYORS**

6709 NORTH CLASSEN BLVD., OKLA. CITY, OKLA. 73116 \* LOCAL (405) 843-4847 \* OUT OF STATE (800) 654-3219  
 Certificate of Authorization No. LS-99, Exp. Dec. 31, 2013

HARPER

County, Kansas

200'FSL - 1980'FEL Section 30 Township 32S Range 6W P.M.



Bottom Hole  
 330'FNL-1980'FEL  
 NAD-27 (US Feet)  
 37°14'18.6" N  
 98°00'34.0" W  
 37.238508374' N  
 98.009441590' W  
 X=2142813  
 Y=208593

Bottom Hole Information Provided  
 by Operator Listed, NOT Surveyed.  
 Corner Coordinates are Taken  
 from Points Surveyed in the Field.

Distances shown in (parenthesis) are calculated based  
 upon the Quarter Section being 2640 feet, those shown  
 in [brackets] are based on GLO (General Land Office)  
 distances and have NOT been measured on the ground.

Operator: SANDRIDGE EXPLORATION & PRODUCTION, LLC

Lease Name: RICHARD 3206

Well No.: 1-30H

**ELEVATION:**

1406' Gr. at Stake

Topography & Vegetation Loc. fell in terraced sloped pasture

Good Drill Site? Yes

Reference Stakes or Alternate Location  
 Stakes Set None

Best Accessibility to Location From South off county road

Distance & Direction  
 from Hwy Jct or Town From Anthony, KS, go 4.0 mi. North on St. Hwy. 14, then 2.0 mi. East,  
 then 1.0 mi. North to the SE Cor. of Sec. 30-T32S-R6W

Revision  A Date of Drawing: Sep. 11, 2012

Invoice # 189378 Date Staked: Aug. 31, 2012

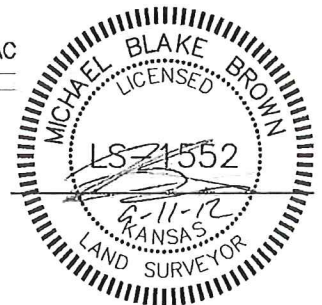
AC

This information was gathered with a GPS receiver with Sub-Meter accuracy.

DATUM: NAD-27  
 LAT: 37°13'31.4"N  
 LONG: 98°00'33.6"W  
 LAT: 37.225379508°  
 LONG: 98.009334405°  
 STATE PLANE  
 COORDINATES: (US Feet)  
 ZONE: KS SOUTH  
 X: 2142870  
 Y: 203813

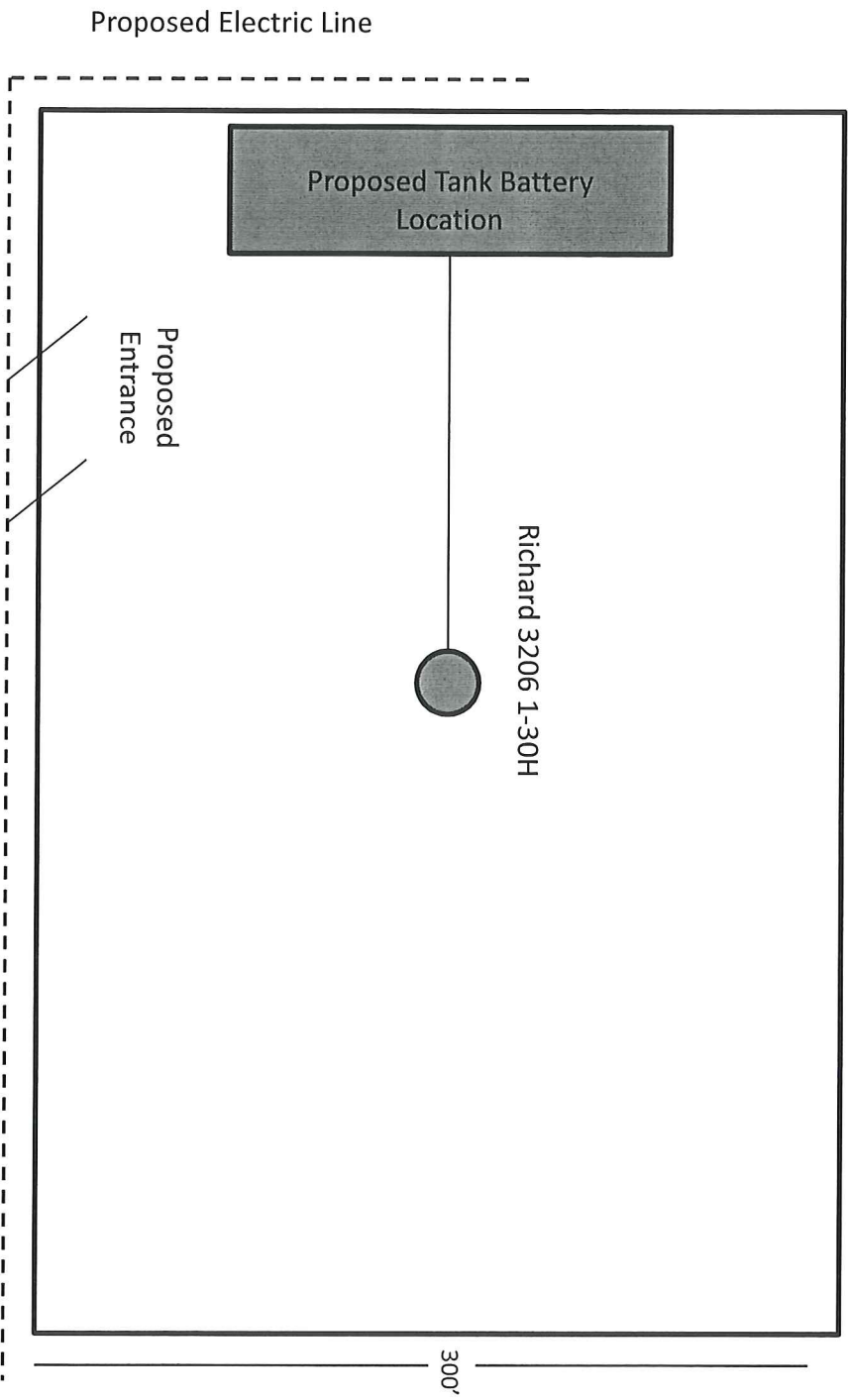
**CERTIFICATE:**

I, Michael Blake Brown a Kansas Licensed Land Surveyor and an authorized agent of Topographic Land Surveyors, do hereby certify that the above described well location was surveyed and staked on the ground as shown herein.



# Richard 3206 1-30H

350'





---

**Richard 3206 1-30H**  
**Harper County, KS**

Unit Description:

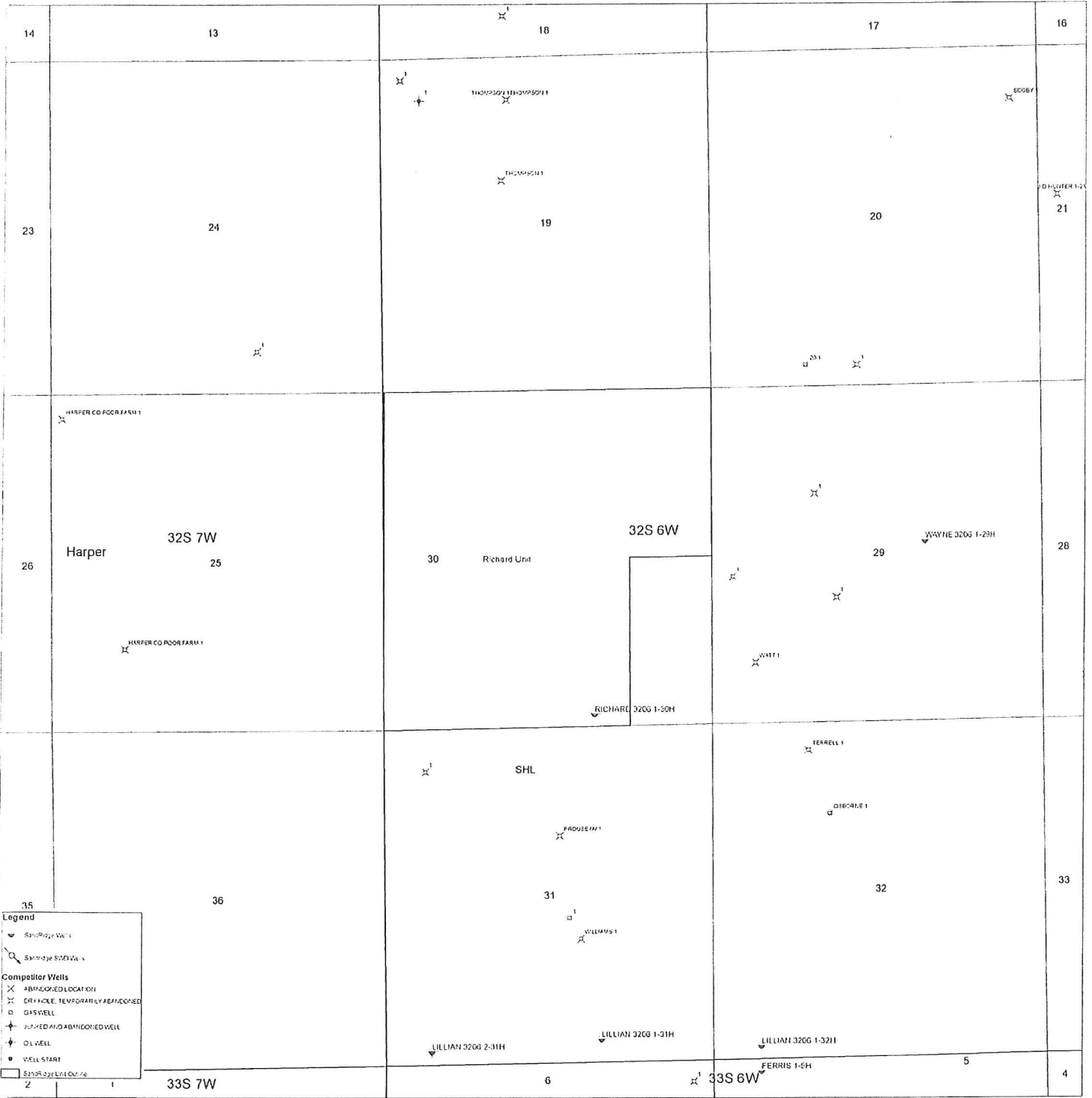
SandRidge has leases covering 555.92 nma in W/2, NE/4 & W/2 SE/4 of Section 30, Township 32 South, Range 06 West and we intend to unitize this 555.92 nma into the Richard Unit.

Surface Owner:

Ferris Dean Williams, Trustee

196NE 40 Road

Anthony, KS 67003







November 29, 2012

Ferris Dean Williams, Trustee  
196 NE 40 Rd  
Anthony, KS 67003

Re: KSONA-1 NOTIFICATION

Please find attached a draft copy of Intent to Drill currently pending with the KCC for approval. We plan to drill the Richard 3206 1-30H well located in Harper County, Kansas, and you are listed as the current surface owner.

This notice is being provided pursuant to the Kansas Surface Owner Notice Act (House Bill 2032). If you have any questions, please contact us.

Sincerely,

Tiffany Golay  
Regulatory Technician  
SandRidge Energy  
123 Robert S Kerr Avenue  
Oklahoma City, OK 73102  
T: 405.429.6543  
E: [tgolay@sandridgeenergy.com](mailto:tgolay@sandridgeenergy.com)

/file  
Attach.

June 28, 2013

Tiffany Golay  
SandRidge Exploration and Production LLC  
123 ROBERT S. KERR AVE  
OKLAHOMA CITY, OK 73102-6406

Re: Drilling Pit Application  
Richard 3206 1-30H  
SE/4 Sec.30-32S-06W  
Harper County, Kansas

Dear Tiffany Golay:

District staff has inspected the location and has determined that an unsealed condition will present a pollution threat to water resources.

District staff has recommended that the reserve pit be lined. If a plastic liner is to be used it must have a minimum thickness of 20 mil. Integrity of the liner must be maintained at all times.

**If production casing is set all completion fluids shall be removed from the working pits daily. NO completion fluids or non-exempt wastes shall be placed in the reserve pit.**

The fluids are to be removed from the reserve pit as soon as the Hutchinson Salt section has been drilled through and displacement of the fluids into the reserve pit has occurred. The fluids should be removed again as soon as practical after drilling operations have ceased. The fluids should be taken to an authorized disposal well. Please call the District Office at (316) 630-4000 when the fluids have been removed. Please file form CDP-5 (August 2008), Exploration and Production Waste Transfer, through KOLAR within 30 days of fluid removal.

**A copy of this letter should be posted in the doghouse along with the approved Intent to Drill.** If you have any questions or concerns please feel free to contact the District Office at (316) 630-4000.