

For KCC Use ONLY

API # 15 - _____

IN ALL CASES PLOT THE INTENDED WELL ON THE PLAT BELOW

In all cases, please fully complete this side of the form. Include items 1 through 5 at the bottom of this page.

Operator: _____

Lease: _____

Well Number: _____

Field: _____

Number of Acres attributable to well: _____

QTR/QTR/QTR/QTR of acreage: _____ - _____ - _____ - _____

Location of Well: County: _____

_____ feet from N / S Line of Section

_____ feet from E / W Line of Section

Sec. _____ Twp. _____ S. R. _____ E W

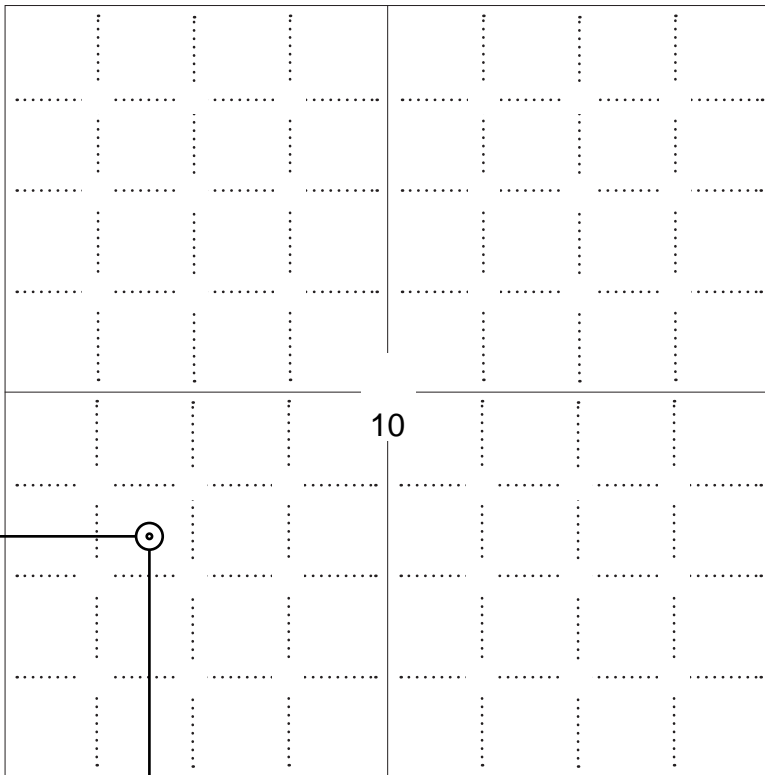
Is Section: Regular or Irregular

If Section is Irregular, locate well from nearest corner boundary.

Section corner used: NE NW SE SW

PLAT

Show location of the well. Show footage to the nearest lease or unit boundary line. Show the predicted locations of lease roads, tank batteries, pipelines and electrical lines, as required by the Kansas Surface Owner Notice Act (House Bill 2032). You may attach a separate plat if desired.



NOTE: In all cases locate the spot of the proposed drilling location.

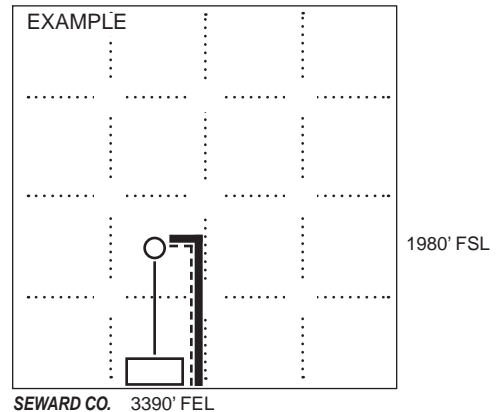
1650 ft.

In plotting the proposed location of the well, you must show:

1. The manner in which you are using the depicted plat by identifying section lines, i.e. 1 section, 1 section with 8 surrounding sections, 4 sections, etc.
2. The distance of the proposed drilling location from the south / north and east / west outside section lines.
3. The distance to the nearest lease or unit boundary line (in footage).
4. If proposed location is located within a prorated or spaced field a certificate of acreage attribution plat must be attached: (C0-7 for oil wells; CG-8 for gas wells).
5. The predicted locations of lease roads, tank batteries, pipelines, and electrical lines.

LEGEND

- Well Location
- Tank Battery Location
- Pipeline Location
- - - - - Electric Line Location
- Lease Road Location



APPLICATION FOR SURFACE PIT

Submit in Duplicate

Operator Name: _____		License Number: _____	
Operator Address: _____			
Contact Person: _____		Phone Number: _____	
Lease Name & Well No.: _____		Pit Location (QQQQ): _____-_____-_____-_____	
Type of Pit: <input type="checkbox"/> Emergency Pit <input type="checkbox"/> Burn Pit <input type="checkbox"/> Settling Pit <input type="checkbox"/> Drilling Pit <input type="checkbox"/> Workover Pit <input type="checkbox"/> Haul-Off Pit <i>(If WP Supply API No. or Year Drilled)</i>		Pit is: <input type="checkbox"/> Proposed <input type="checkbox"/> Existing If Existing, date constructed: _____ Pit capacity: _____ (bbls)	
Is the pit located in a Sensitive Ground Water Area? <input type="checkbox"/> Yes <input type="checkbox"/> No		Chloride concentration: _____ mg/l <i>(For Emergency Pits and Settling Pits only)</i>	
Is the bottom below ground level? <input type="checkbox"/> Yes <input type="checkbox"/> No		Artificial Liner? <input type="checkbox"/> Yes <input type="checkbox"/> No	
How is the pit lined if a plastic liner is not used?		_____	
Pit dimensions (all but working pits): _____ Length (feet) _____ Width (feet) <input type="checkbox"/> N/A: Steel Pits Depth from ground level to deepest point: _____ (feet) <input type="checkbox"/> No Pit			
If the pit is lined give a brief description of the liner material, thickness and installation procedure.		Describe procedures for periodic maintenance and determining liner integrity, including any special monitoring.	
Distance to nearest water well within one-mile of pit: _____ feet Depth of water well _____ feet		Depth to shallowest fresh water _____ feet. Source of information: <input type="checkbox"/> measured <input type="checkbox"/> well owner <input type="checkbox"/> electric log <input type="checkbox"/> KDWR	
Emergency, Settling and Burn Pits ONLY: Producing Formation: _____ Number of producing wells on lease: _____ Barrels of fluid produced daily: _____ Does the slope from the tank battery allow all spilled fluids to flow into the pit? <input type="checkbox"/> Yes <input type="checkbox"/> No		Drilling, Workover and Haul-Off Pits ONLY: Type of material utilized in drilling/workover: _____ Number of working pits to be utilized: _____ Abandonment procedure: _____ _____ Drill pits must be closed within 365 days of spud date.	
Submitted Electronically			

KCC OFFICE USE ONLY			
Date Received: _____		Permit Number: _____	
Permit Date: _____		Lease Inspection: <input type="checkbox"/> Yes <input type="checkbox"/> No	
		<input type="checkbox"/> Liner <input type="checkbox"/> Steel Pit <input type="checkbox"/> RFAC <input type="checkbox"/> RFAS	



CERTIFICATION OF COMPLIANCE WITH THE KANSAS SURFACE OWNER NOTIFICATION ACT

This form must be submitted with all Forms C-1 (Notice of Intent to Drill); CB-1 (Cathodic Protection Borehole Intent); T-1 (Request for Change of Operator Transfer of Injection or Surface Pit Permit); and CP-1 (Well Plugging Application). Any such form submitted without an accompanying Form KSONA-1 will be returned.

Select the corresponding form being filed: C-1 (Intent) CB-1 (Cathodic Protection Borehole Intent) T-1 (Transfer) CP-1 (Plugging Application)

OPERATOR: License # _____
Name: _____
Address 1: _____
Address 2: _____
City: _____ State: _____ Zip: _____ + _____
Contact Person: _____
Phone: (_____) _____ Fax: (_____) _____
Email Address: _____

Well Location:
____ - ____ - ____ - ____ Sec. ____ Twp. ____ S. R. ____ East West
County: _____
Lease Name: _____ Well #: _____

If filing a Form T-1 for multiple wells on a lease, enter the legal description of the lease below:

Surface Owner Information:

Name: _____
Address 1: _____
Address 2: _____
City: _____ State: _____ Zip: _____ + _____

When filing a Form T-1 involving multiple surface owners, attach an additional sheet listing all of the information to the left for each surface owner. Surface owner information can be found in the records of the register of deeds for the county, and in the real estate property tax records of the county treasurer.

If this form is being submitted with a Form C-1 (Intent) or CB-1 (Cathodic Protection Borehole Intent), you must supply the surface owners and the KCC with a plat showing the predicted locations of lease roads, tank batteries, pipelines, and electrical lines. The locations shown on the plat are preliminary non-binding estimates. The locations may be entered on the Form C-1 plat, Form CB-1 plat, or a separate plat may be submitted.

Select one of the following:

- I certify that, pursuant to the Kansas Surface Owner Notice Act (House Bill 2032), I have provided the following to the surface owner(s) of the land upon which the subject well is or will be located: 1) a copy of the Form C-1, Form CB-1, Form T-1, or Form CP-1 that I am filing in connection with this form; 2) if the form being filed is a Form C-1 or Form CB-1, the plat(s) required by this form; and 3) my operator name, address, phone number, fax, and email address.
- I have not provided this information to the surface owner(s). I acknowledge that, because I have not provided this information, the KCC will be required to send this information to the surface owner(s). To mitigate the additional cost of the KCC performing this task, I acknowledge that I am being charged a \$30.00 handling fee, payable to the KCC, which is enclosed with this form.

If choosing the second option, submit payment of the \$30.00 handling fee with this form. If the fee is not received with this form, the KSONA-1 form and the associated Form C-1, Form CB-1, Form T-1, or Form CP-1 will be returned.

Submitted Electronically

For KCC Use ONLY

API # 15 - _____

IN ALL CASES PLOT THE INTENDED WELL ON THE PLAT BELOW

In all cases, please fully complete this side of the form. Include items 1 through 5 at the bottom of this page.

Operator: Kantor Oil Company, LLC
 Lease: Carmichael A
 Well Number: 4 SWD
 Field: Burton

Location of Well: County: Reno
 1650 feet from N / S Line of Section
 990 feet from E / W Line of Section
 Sec. 10 Twp. 24 S. R. 4 E W

Number of Acres attributable to well: 10
 QTR/QTR/QTR/QTR of acreage: _____ - SE - NW - SW

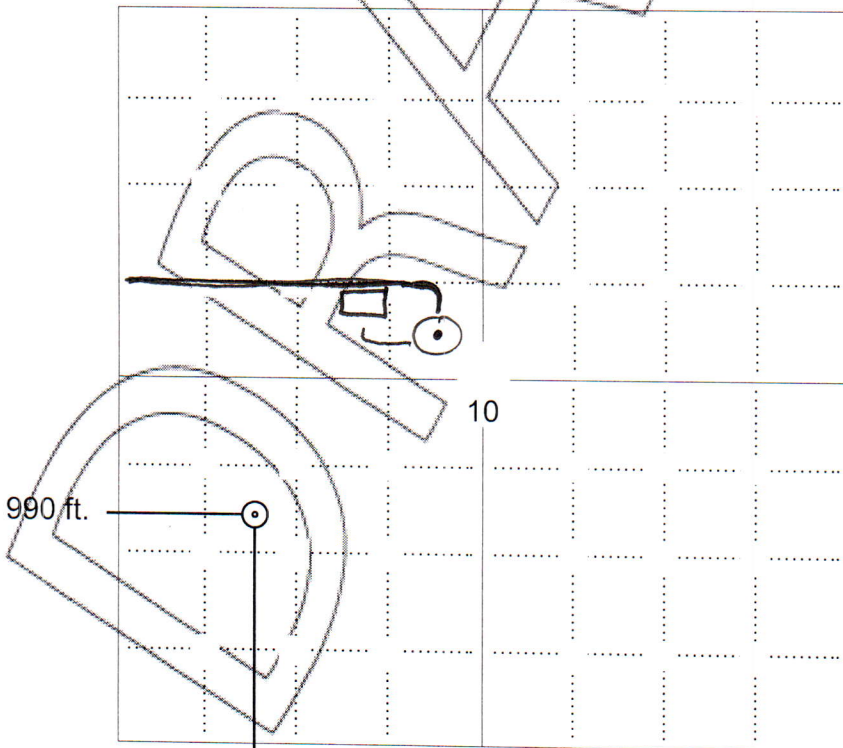
Is Section: Regular or Irregular

If Section is Irregular, locate well from nearest corner boundary.

Section corner used: NE NW SE SW

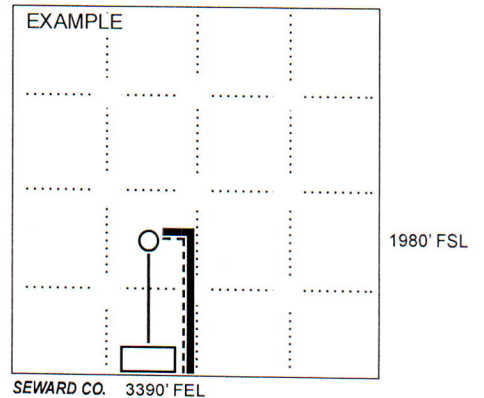
PLAT

Show location of the well. Show footage to the nearest lease or unit boundary line. Show the predicted locations of lease roads, tank batteries, pipelines and electrical lines, as required by the Kansas Surface Owner Notice Act (House Bill 2032). You may attach a separate plat if desired.



LEGEND

- Well Location
- Tank Battery Location
- Pipeline Location
- - - - Electric Line Location
- Lease Road Location



NOTE: In all cases locate the spot of the proposed drilling location.

1650 ft.

In plotting the proposed location of the well, you must show:

1. The manner in which you are using the depicted plat by identifying section lines, i.e. 1 section, 1 section with 8 surrounding sections, 4 sections, etc.
2. The distance of the proposed drilling location from the south / north and east / west outside section lines.
3. The distance to the nearest lease or unit boundary line (in footage).
4. If proposed location is located within a prorated or spaced field a certificate of acreage attribution plat must be attached: (CO-7 for oil wells; CG-8 for gas wells).
5. The predicted locations of lease roads, tank batteries, pipelines, and electrical lines.

**NOTICE TO OPERATORS FILING INTENT TO DRILL
FOR DISPOSAL OR ENHANCED RECOVERY
INJECTION WELLS, (CLASS II INJECTION WELL)**

The attached approved Notice of Intent to Drill indicates the proposed well is to be used for injection. An approved "Intent to Drill" does not approve injection authority as a Class II Injection Well in Kansas.

Before any well is used for injection purposes, the operator must file an application for injection authority in accordance with K.A.R. 82-3-401 and provide notice in accordance with K.A.R. 82-3-402. The Conservation Division must issue a written permit granting the application before commencement of injection.

The Conservation Division requirements and restrictions associated with Class II Injection are identified in K.A.R. 82-3-400 et seq of our regulations. Associated regulations governing drilling, completion and injection applications may be found in K.A.R. 82-3-135, Table I, Table II, in the Cedar Hills Sandstone Moratorium, (Docket #156,397-C), and the Eastern Kansas Surface Casing Order, (Docket #133,891-C).

If you have questions regarding the approval of injection authority, an injection application may be filed as a "Design Approval" before actual drilling and completion of the well occurs. If you have any questions or concerns regarding Class II injection wells or regulations, call the Underground Injection Control Department at 316-337-6200.

Failure to obtain commission approval before beginning injection is punishable by a penalty, shut-in of the well or both.

Minimum Surface Casing Requirements--

Appendix A

Definition of conductor pipe

A large diameter steel casing, having a minimum diameter of 12 inches, installed in an oil-and-gas-related well to protect fresh and usable water and stabilize unconsolidated materials when drilling in an area where the possibility of lost circulation zones exist at deeper depths.

Addition to minimum surface casing table

Within the sections listed below in this Appendix, the following rule shall be used for drilling any oil, gas, injection, disposal or service well: Conductor pipe shall be installed as soon as drilling penetrates twenty feet into the consolidated formation underlying the unconsolidated material. The annular space between the conductor pipe and the borehole shall be cemented from bottom to ground surface.

Conductor pipe, in addition to having a minimum diameter of 12 inches, shall be of sufficient size that if a lost circulation zone is encountered, the standard surface pipe can be installed through that zone. In areas where instability occurs within the unconsolidated materials, a pipe of sufficient diameter must be utilized to stabilize that portion of the borehole so that the minimum required amount of conductor pipe can be installed 20 feet into the underlying formation.

In those areas where the Appendix A list of sections includes sites that do not appear to have the unconsolidated material, a sufficient length of conductor pipe shall be on hand at the drilling site. In all cases, if unconsolidated material is encountered, conductor pipe shall be installed. If unconsolidated material is not encountered, the minimum required surface pipe shall be installed.

Section designated as having Wellington Aquifer with Hutchinson Salt Member present

Twp. 13S R. 3W Sec. 4, 5, 8-10, 15-17, 20-23, 25-29, 32-36

Twp. 14S R. 3W Sec. 1-5, 8-17, 20-29, 32-36

Twp. 15S R. 3W Sec. ALL

Twp. 15S R. 2W Sec. 6, 7, 18, 19, 30, 31

Twp. 16S R. 4W Sec. 1, 12, 13, 24, 25, 36

Twp. 16S R. 3W Sec. 4-9, 18, 19, 30, 31

Twp. 17S R. 4W Sec. 1, 12-14, 23-27, 34-36

Twp. 17S R. 3W Sec. 4-10, 16-20, 29-32

Twp. 18S R. 4W Sec. 1-4, 8-17, 20-29, 32-36

Twp. 18S R. 3W Sec. 6, 7, 18, 19, 30, 31

Twp. 19S R. 4W Sec. 1-5, 8-17, 20-29, 32-36

Twp. 19S R. 3W Sec. 6, 7, 18, 19, 30, 31

Twp. 20S R. 4W Sec. 1-5, 9-16, 21-28, 33-36

Twp. 20S R. 3W Sec. 30, 31

Twp. 21S R. 4W Sec. 1-5, 8-17, 20-36

Twp. 21S R. 3W Sec. 6, 7, 18, 19, 30, 31

Twp. 22S R. 5W Sec. 1, 12, 13, 24, 25, 36

Twp. 22S R. 4W Sec. ALL

Twp. 22S R. 3W Sec. 6-8, 17-20, 28-33

Twp. 23S R. 5W Sec. 1, 11-14, 23-26-35, 36

Twp. 23S R. 4W Sec. ALL

Twp. 23S R. 3W Sec. 4-9, 16-21, 28-33

Twp. 24S R. 5W Sec. 1, 2, 12

Twp. 24S R. 4W Sec. 1-18, 20-27, 35, 36

Twp. 24S R. 3W Sec. ALL except 1, 2, 12

Twp. 24S R. 2W Sec. 19, 20, 27-35

Twp. 25S R. 4W Sec. 1

Twp. 25S R. 3W Sec. ALL except 18, 19, 29-33

Twp. 25S R. 2W Sec. ALL

Twp. 25S R. 1W Sec. 7, 17-21, 27-35

Twp. 26S R. 3W Sec. 1, 2, 12, 13

Twp. 26S R. 2W Sec. ALL except 1, 12, 11, 12

Twp. 26S R. 1W Sec. ALL

Twp. 26S R. 1E Sec. 18, 19, 29-32

Twp. 27S R. 2W Sec. 1-5, 8-17, 21-28, 33-36

Twp. 27S R. 1W Sec. ALL

Twp. 27S R. 1E Sec. 5-9, 16-21, 28-33

Twp. 28S R. 2W Sec. 1-3, 10-15, 22-27, 35, 36

Twp. 28S R. 1W Sec. ALL (36 No salt)

Twp. 28S R. 1E Sec. 4-10, 15-22, 26-35

Twp. 29S R. 2W Sec. 1, 2, 11-14, 23-26, 35, 36

Twp. 29S R. 1W Sec. ALL

Twp. 29S R. 1E Sec. ALL except 1

Twp. 30S R. 1W Sec. ALL except 18-20, 39-32

Twp. 30S R. 1E Sec. ALL

Twp. 30S R. 2E Sec. 6, 7, 17-21, 28-34

Twp. 31S R. 1W Sec. 1-3, 10-14, 23-26, 35, 36

Twp. 31S R. 1E Sec. ALL except 28, 29, 32, 33, 34

Twp. 31S R. 2E Sec. 3-11, 14-22, 28-31

Twp. 32S R. 1E Sec. 1

Twp. 32S R. 2E Sec. 5, 6

Twp. 33S R. 1E Sec. 31, 32

Twp. 34S R. 1E Sec. 1-3, 11-13

Twp. 34S R. 2E Sec. 6-8, 17-20

Conservation Division
Finney State Office Building
130 S. Market, Rm. 2078
Wichita, KS 67202-3802



Phone: 316-337-6200
Fax: 316-337-6211
<http://kcc.ks.gov/>

Mark Sievers, Chairman
Thomas E. Wright, Commissioner
Shari Feist Albrecht, Commissioner

Sam Brownback, Governor

July 16, 2013

Larry Ressler
Kantor Oil Company, LLC
15 W 6TH ST STE 2601
TULSA, OK 74119-5413

Re: Drilling Pit Application
Carmichael A 4 SWD
SW/4 Sec.10-24S-04W
Reno County, Kansas

Dear Larry Ressler:

District staff has inspected the above referenced location and has determined that the reserve pit shall be constructed **without slots**, the bottom shall be flat and reasonably level and the free fluids must be removed. The fluids are to be removed from the reserve pit as soon as the Hutchinson Salt section has been drilled through and displacement of the fluids into the reserve pit has occurred. The fluids should be removed again as soon as practical after drilling operations have ceased.

If production casing is set all completion fluids shall be removed from the working pits daily. NO completion fluids or non-exempt wastes shall be placed in the reserve pit.

The fluids should be taken to an authorized disposal well. Please call the District Office at (316) 630-4000 when the fluids have been removed. Please file form CDP-5 (August 2008), Exploration and Production Waste Transfer, through KOLAR within 30 days of fluid removal.

A copy of this letter should be posted in the doghouse along with the approved Intent to Drill. If you have any questions or concerns please feel free to contact the District Office at (316) 630-4000.