



For KCC Use:
Effective Date:
District #
SGA? Yes No

KANSAS CORPORATION COMMISSION
OIL & GAS CONSERVATION DIVISION

1154178

Form C-1
March 2010

Form must be Typed
Form must be Signed
All blanks must be Filled

NOTICE OF INTENT TO DRILL

Must be approved by KCC five (5) days prior to commencing well

Form KSONA-1, Certification of Compliance with the Kansas Surface Owner Notification Act, MUST be submitted with this form.

Expected Spud Date: month day year

OPERATOR: License#
Name:
Address 1:
Address 2:
City: State: Zip:
Contact Person:
Phone:

CONTRACTOR: License#
Name:

Well Drilled For: Well Class: Type Equipment:
Oil Gas Enh Rec Storage Disposal Seismic; # of Holes Other
Infield Pool Ext. Wildcat Other
Mud Rotary Air Rotary Cable

If OWWO: old well information as follows:
Operator:
Well Name:
Original Completion Date: Original Total Depth:

Directional, Deviated or Horizontal wellbore? Yes No
If Yes, true vertical depth:
Bottom Hole Location:
KCC DKT #:

Spot Description:
- - - Sec. Twp. S. R. E W
feet from N / S Line of Section
feet from E / W Line of Section

Is SECTION: Regular Irregular?
(Note: Locate well on the Section Plat on reverse side)

County:
Lease Name: Well #:

Field Name:
Is this a Prorated / Spaced Field? Yes No

Target Formation(s):
Nearest Lease or unit boundary line (in footage):

Ground Surface Elevation: feet MSL

Water well within one-quarter mile: Yes No

Public water supply well within one mile: Yes No

Depth to bottom of fresh water:

Depth to bottom of usable water:

Surface Pipe by Alternate: I II

Length of Surface Pipe Planned to be set:

Length of Conductor Pipe (if any):

Projected Total Depth:

Formation at Total Depth:

Water Source for Drilling Operations: Well Farm Pond Other:

DWR Permit #: (Note: Apply for Permit with DWR)
Will Cores be taken? Yes No

If Yes, proposed zone:

AFFIDAVIT

The undersigned hereby affirms that the drilling, completion and eventual plugging of this well will comply with K.S.A. 55 et. seq.

It is agreed that the following minimum requirements will be met:

- 1. Notify the appropriate district office prior to spudding of well;
2. A copy of the approved notice of intent to drill shall be posted on each drilling rig;
3. The minimum amount of surface pipe as specified below shall be set by circulating cement to the top; in all cases surface pipe shall be set through all unconsolidated materials plus a minimum of 20 feet into the underlying formation.
4. If the well is dry hole, an agreement between the operator and the district office on plug length and placement is necessary prior to plugging;
5. The appropriate district office will be notified before well is either plugged or production casing is cemented in;
6. If an ALTERNATE II COMPLETION, production pipe shall be cemented from below any usable water to surface within 120 DAYS of spud date. Or pursuant to Appendix "B" - Eastern Kansas surface casing order #133,891-C, which applies to the KCC District 3 area, alternate II cementing must be completed within 30 days of the spud date or the well shall be plugged. In all cases, NOTIFY district office prior to any cementing.

Submitted Electronically

For KCC Use ONLY
API # 15 -
Conductor pipe required feet
Minimum surface pipe required feet per ALT. I II
Approved by:
This authorization expires:
(This authorization void if drilling not started within 12 months of approval date.)
Spud date: Agent:

Remember to:

- File Certification of Compliance with the Kansas Surface Owner Notification Act (KSONA-1) with Intent to Drill;
- File Drill Pit Application (form CDP-1) with Intent to Drill;
- File Completion Form ACO-1 within 120 days of spud date;
- File acreage attribution plat according to field proration orders;
- Notify appropriate district office 48 hours prior to workover or re-entry;
- Submit plugging report (CP-4) after plugging is completed (within 60 days);
- Obtain written approval before disposing or injecting salt water.
- If well will not be drilled or permit has expired (See: authorized expiration date) please check the box below and return to the address below.

Well will not be drilled or Permit Expired Date:
Signature of Operator or Agent:

For KCC Use ONLY

API # 15 - _____

IN ALL CASES PLOT THE INTENDED WELL ON THE PLAT BELOW

In all cases, please fully complete this side of the form. Include items 1 through 5 at the bottom of this page.

Operator: _____

Lease: _____

Well Number: _____

Field: _____

Number of Acres attributable to well: _____

QTR/QTR/QTR/QTR of acreage: _____ - _____ - _____ - _____

Location of Well: County: _____

_____ feet from N / S Line of Section

_____ feet from E / W Line of Section

Sec. _____ Twp. _____ S. R. _____ E W

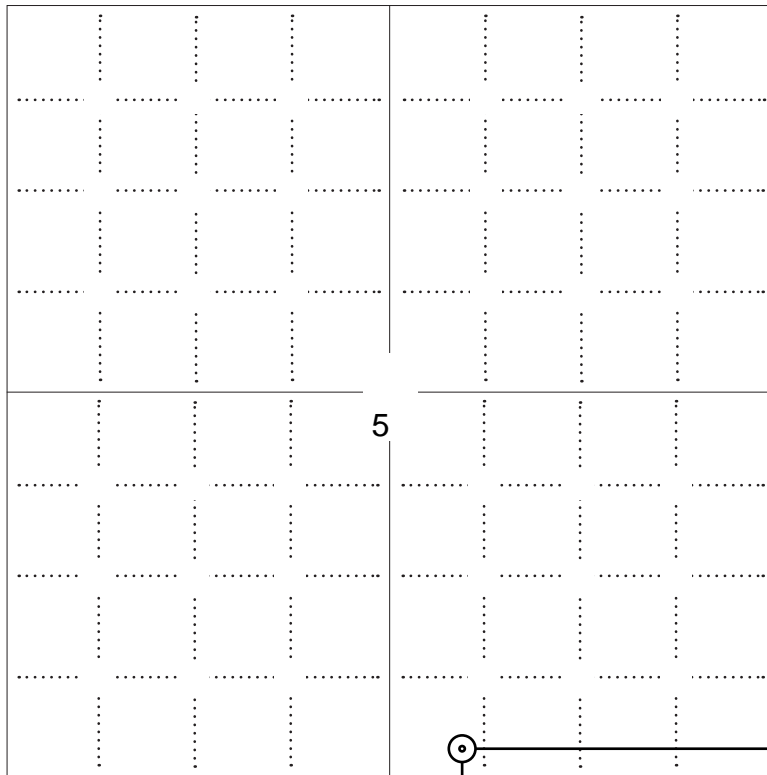
Is Section: Regular or Irregular

If Section is Irregular, locate well from nearest corner boundary.

Section corner used: NE NW SE SW

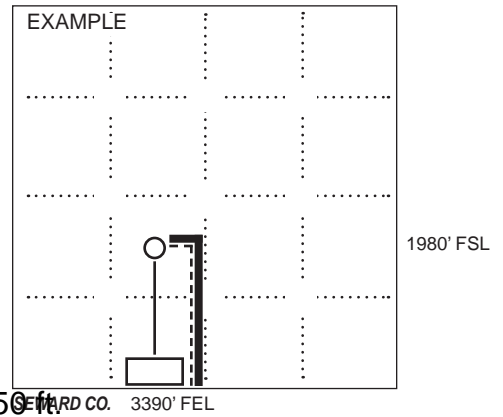
PLAT

Show location of the well. Show footage to the nearest lease or unit boundary line. Show the predicted locations of lease roads, tank batteries, pipelines and electrical lines, as required by the Kansas Surface Owner Notice Act (House Bill 2032). You may attach a separate plat if desired.



LEGEND

- Well Location
- Tank Battery Location
- Pipeline Location
- Electric Line Location
- Lease Road Location



NOTE: In all cases locate the spot of the proposed drilling locaton.

200 ft.

In plotting the proposed location of the well, you must show:

1. The manner in which you are using the depicted plat by identifying section lines, i.e. 1 section, 1 section with 8 surrounding sections, 4 sections, etc.
2. The distance of the proposed drilling location from the south / north and east / west outside section lines.
3. The distance to the nearest lease or unit boundary line (in footage).
4. If proposed location is located within a prorated or spaced field a certificate of acreage attribution plat must be attached: (C0-7 for oil wells; CG-8 for gas wells).
5. The predicted locations of lease roads, tank batteries, pipelines, and electrical lines.

APPLICATION FOR SURFACE PIT

Submit in Duplicate

Operator Name: _____		License Number: _____	
Operator Address: _____			
Contact Person: _____		Phone Number: _____	
Lease Name & Well No.: _____		Pit Location (QQQQ): _____-_____-_____-_____	
Type of Pit: <input type="checkbox"/> Emergency Pit <input type="checkbox"/> Burn Pit <input type="checkbox"/> Settling Pit <input type="checkbox"/> Drilling Pit <input type="checkbox"/> Workover Pit <input type="checkbox"/> Haul-Off Pit <i>(If WP Supply API No. or Year Drilled)</i>		Pit is: <input type="checkbox"/> Proposed <input type="checkbox"/> Existing If Existing, date constructed: _____ Pit capacity: _____ (bbls)	
Is the pit located in a Sensitive Ground Water Area? <input type="checkbox"/> Yes <input type="checkbox"/> No		Chloride concentration: _____ mg/l <i>(For Emergency Pits and Settling Pits only)</i>	
Is the bottom below ground level? <input type="checkbox"/> Yes <input type="checkbox"/> No		Artificial Liner? <input type="checkbox"/> Yes <input type="checkbox"/> No	
How is the pit lined if a plastic liner is not used?		_____	
Pit dimensions (all but working pits): _____ Length (feet) _____ Width (feet) <input type="checkbox"/> N/A: Steel Pits Depth from ground level to deepest point: _____ (feet) <input type="checkbox"/> No Pit			
If the pit is lined give a brief description of the liner material, thickness and installation procedure.		Describe procedures for periodic maintenance and determining liner integrity, including any special monitoring.	
Distance to nearest water well within one-mile of pit: _____ feet Depth of water well _____ feet		Depth to shallowest fresh water _____ feet. Source of information: <input type="checkbox"/> measured <input type="checkbox"/> well owner <input type="checkbox"/> electric log <input type="checkbox"/> KDWR	
Emergency, Settling and Burn Pits ONLY: Producing Formation: _____ Number of producing wells on lease: _____ Barrels of fluid produced daily: _____ Does the slope from the tank battery allow all spilled fluids to flow into the pit? <input type="checkbox"/> Yes <input type="checkbox"/> No		Drilling, Workover and Haul-Off Pits ONLY: Type of material utilized in drilling/workover: _____ Number of working pits to be utilized: _____ Abandonment procedure: _____ _____ Drill pits must be closed within 365 days of spud date.	
Submitted Electronically			

KCC OFFICE USE ONLY

Liner Steel Pit RFAC RFAS

Date Received: _____ Permit Number: _____ Permit Date: _____ Lease Inspection: Yes No



Form Must Be Typed
Form must be Signed
All blanks must be Filled

CERTIFICATION OF COMPLIANCE WITH THE KANSAS SURFACE OWNER NOTIFICATION ACT

This form must be submitted with all Forms C-1 (Notice of Intent to Drill); CB-1 (Cathodic Protection Borehole Intent); T-1 (Request for Change of Operator Transfer of Injection or Surface Pit Permit); and CP-1 (Well Plugging Application). Any such form submitted without an accompanying Form KSONA-1 will be returned.

Select the corresponding form being filed: C-1 (Intent) CB-1 (Cathodic Protection Borehole Intent) T-1 (Transfer) CP-1 (Plugging Application)

OPERATOR: License # _____
Name: _____
Address 1: _____
Address 2: _____
City: _____ State: _____ Zip: _____ + _____
Contact Person: _____
Phone: (_____) _____ Fax: (_____) _____
Email Address: _____

Well Location:
____ - ____ - ____ - ____ Sec. ____ Twp. ____ S. R. ____ East West
County: _____
Lease Name: _____ Well #: _____

If filing a Form T-1 for multiple wells on a lease, enter the legal description of the lease below:

Surface Owner Information:

Name: _____
Address 1: _____
Address 2: _____
City: _____ State: _____ Zip: _____ + _____

When filing a Form T-1 involving multiple surface owners, attach an additional sheet listing all of the information to the left for each surface owner. Surface owner information can be found in the records of the register of deeds for the county, and in the real estate property tax records of the county treasurer.

If this form is being submitted with a Form C-1 (Intent) or CB-1 (Cathodic Protection Borehole Intent), you must supply the surface owners and the KCC with a plat showing the predicted locations of lease roads, tank batteries, pipelines, and electrical lines. The locations shown on the plat are preliminary non-binding estimates. The locations may be entered on the Form C-1 plat, Form CB-1 plat, or a separate plat may be submitted.

Select one of the following:

- I certify that, pursuant to the Kansas Surface Owner Notice Act (House Bill 2032), I have provided the following to the surface owner(s) of the land upon which the subject well is or will be located: 1) a copy of the Form C-1, Form CB-1, Form T-1, or Form CP-1 that I am filing in connection with this form; 2) if the form being filed is a Form C-1 or Form CB-1, the plat(s) required by this form; and 3) my operator name, address, phone number, fax, and email address.
- I have not provided this information to the surface owner(s). I acknowledge that, because I have not provided this information, the KCC will be required to send this information to the surface owner(s). To mitigate the additional cost of the KCC performing this task, I acknowledge that I am being charged a \$30.00 handling fee, payable to the KCC, which is enclosed with this form.

If choosing the second option, submit payment of the \$30.00 handling fee with this form. If the fee is not received with this form, the KSONA-1 form and the associated Form C-1, Form CB-1, Form T-1, or Form CP-1 will be returned.

I Submitted Electronically

TOPOGRAPHIC LAND SURVEYORS

6709 NORTH CLASSEN BLVD., OKLA. CITY, OKLA. 73116 * LOCAL (405) 843-4847 * OUT OF STATE (800) 654-3219
 Certificate of Authorization No. LS-99, Exp. Dec. 31, 2013

HARPER

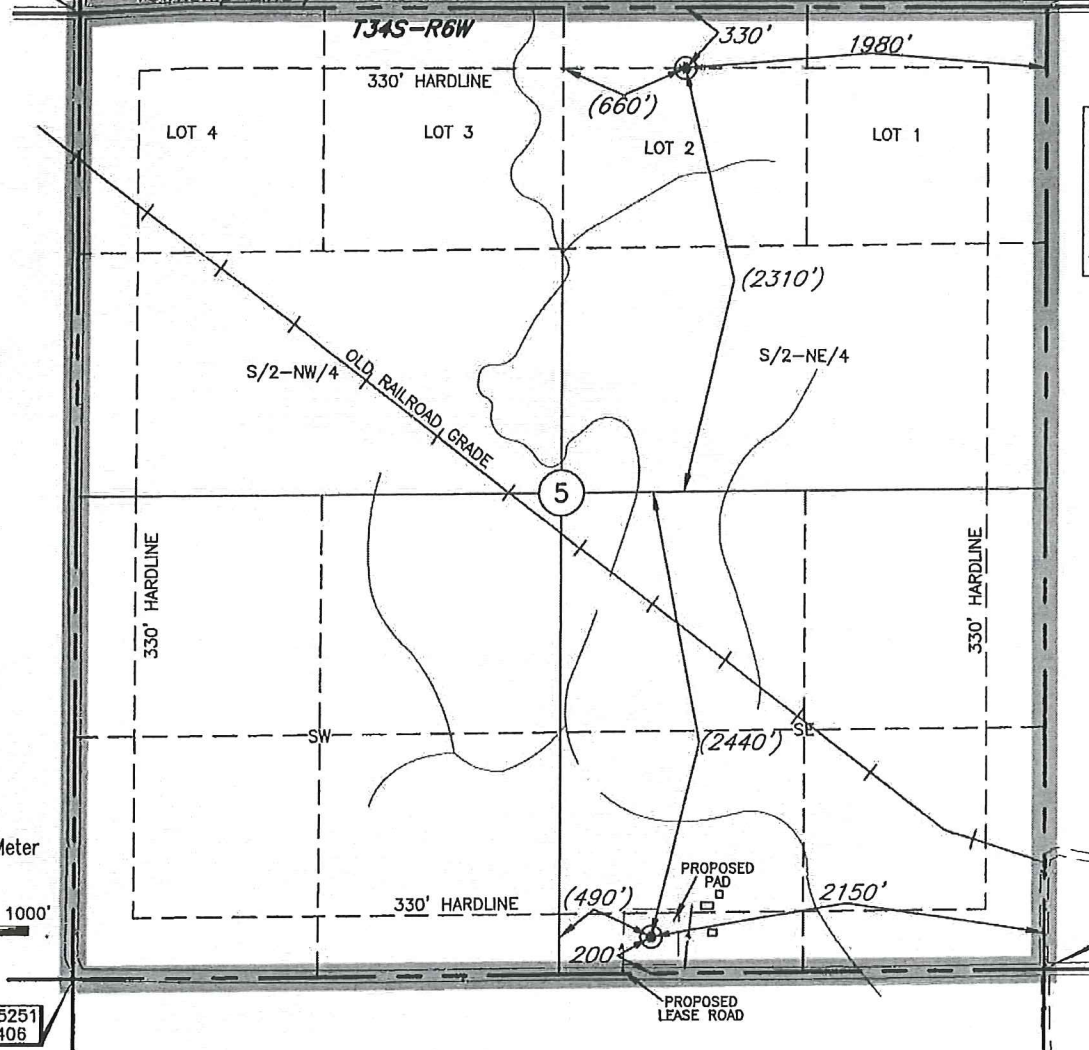
County, Kansas

200'FSL - 2150'FEL Section 5 Township 34S Range 6W P.M.

X 2145184
Y 166671

X 2150473
Y 166766

Township Line - T.33S-R6W
T.34S-R6W



Bottom Hole
330'FNL-1980'FEL
NAD-27 (US Feet)
37°07'21.3" N
97°59'26.5" W
37.122580967" N
97.990707778" W
X=2148498
Y=166413

TOPOGRAPHIC
EST. 1958

GRID
NAD-27
KS SOUTH
US Feet
Note:
3.280833 Ft.=1 Meter
Scale:
1" = 1000'
0' 500' 1000'

BOTTOM HOLE INFORMATION PROVIDED BY OPERATOR LISTED, NOT SURVEYED. CORNER COORDINATES ARE TAKEN FROM POINTS SURVEYED IN THE FIELD.

Distances shown in (parenthesis) are calculated based upon the Quarter Section being 2640 feet, those shown in [brackets] are based on GLO (General Land Office) distances and have NOT been measured on the ground.

X 2145251
Y 161406

X 2150549
Y 161523

Operator: SANDRIDGE EXPLORATION & PRODUCTION, LLC

Lease Name: MURRAY 3406

Well No.: 2-5H

ELEVATION:
1264' Gr. at Stake

Topography & Vegetation Loc. fell in level plowed field, SE Cor. of pad will fall 10' West of NE-SW power line to abandoned house

Good Drill Site? Yes Reference Stakes or Alternate Location Stakes Set None

Best Accessibility to Location From South off lease road

Distance & Direction from Hwy Jct or Town From Jct. St. Hwy. 44-E-W & St. Hwy. 179 South, go ±1.5 mi. East, then ± 3.0 mi. South, then ±1.0 mi. East to the SE Cor. of Sec. 5-T34S-R6W

DATUM: NAD-27
LAT: 37°06'34.5"N
LONG: 97°59'28.1"W
LAT: 37.109570734° N
LONG: 97.991144869° W
STATE PLANE
COORDINATES: (US Feet)
ZONE: KS SOUTH
X: 2148396
Y: 161675

Date of Drawing: Jul. 17, 2013
Invoice # 203375 Date Staked: Jul. 11, 2013 AC

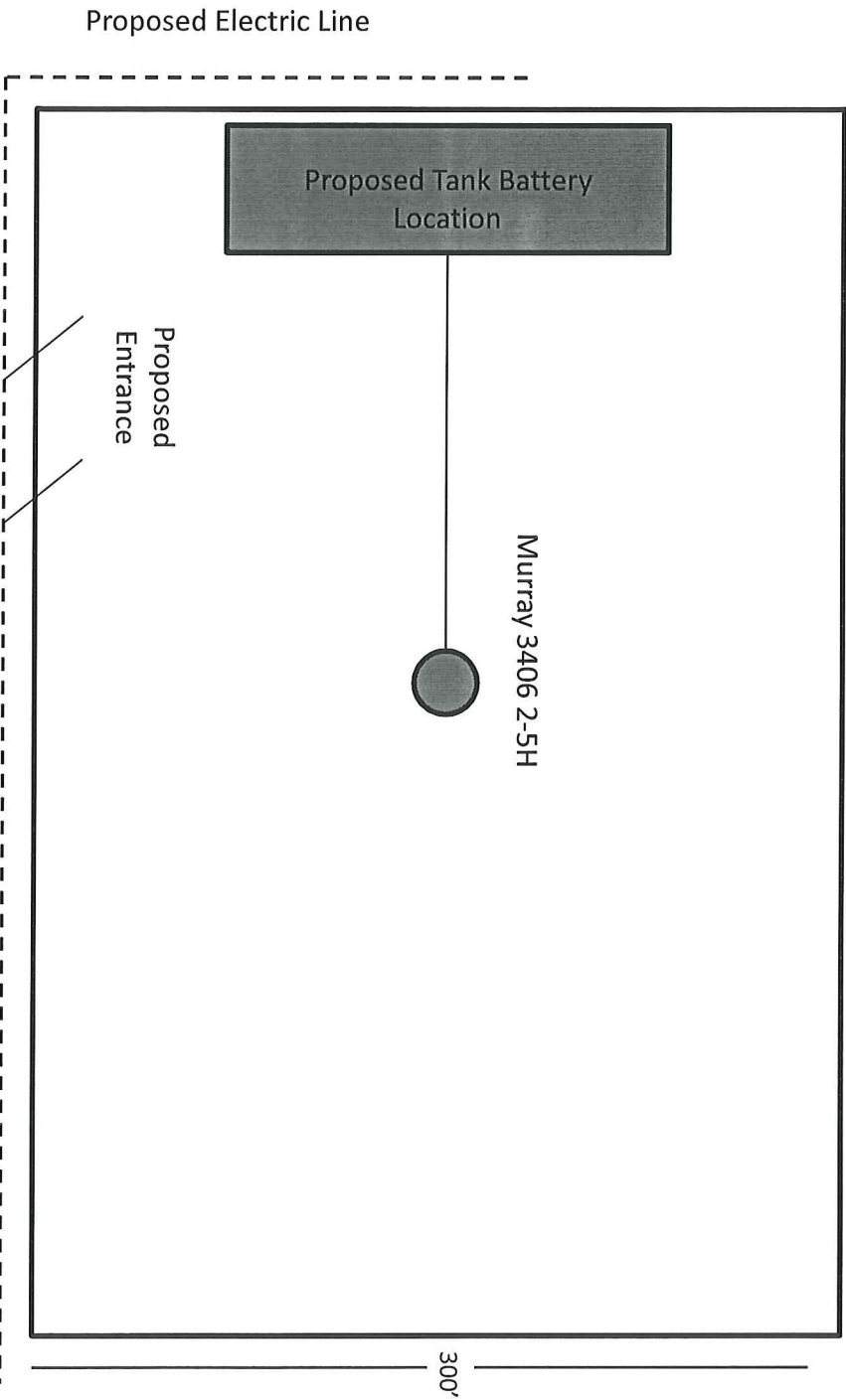
CERTIFICATE:
I, T. Wayne Fisch a Kansas Licensed Land Surveyor and an authorized agent of Topographic Land Surveyors, do hereby certify that the above described well location was surveyed and staked on the ground as shown herein.



This information was gathered with a GPS receiver with ±1.0' accuracy.

Murray 3406 2-5H

350'



Murray 3406 2-5H

Harper County, KS

Unit Description:

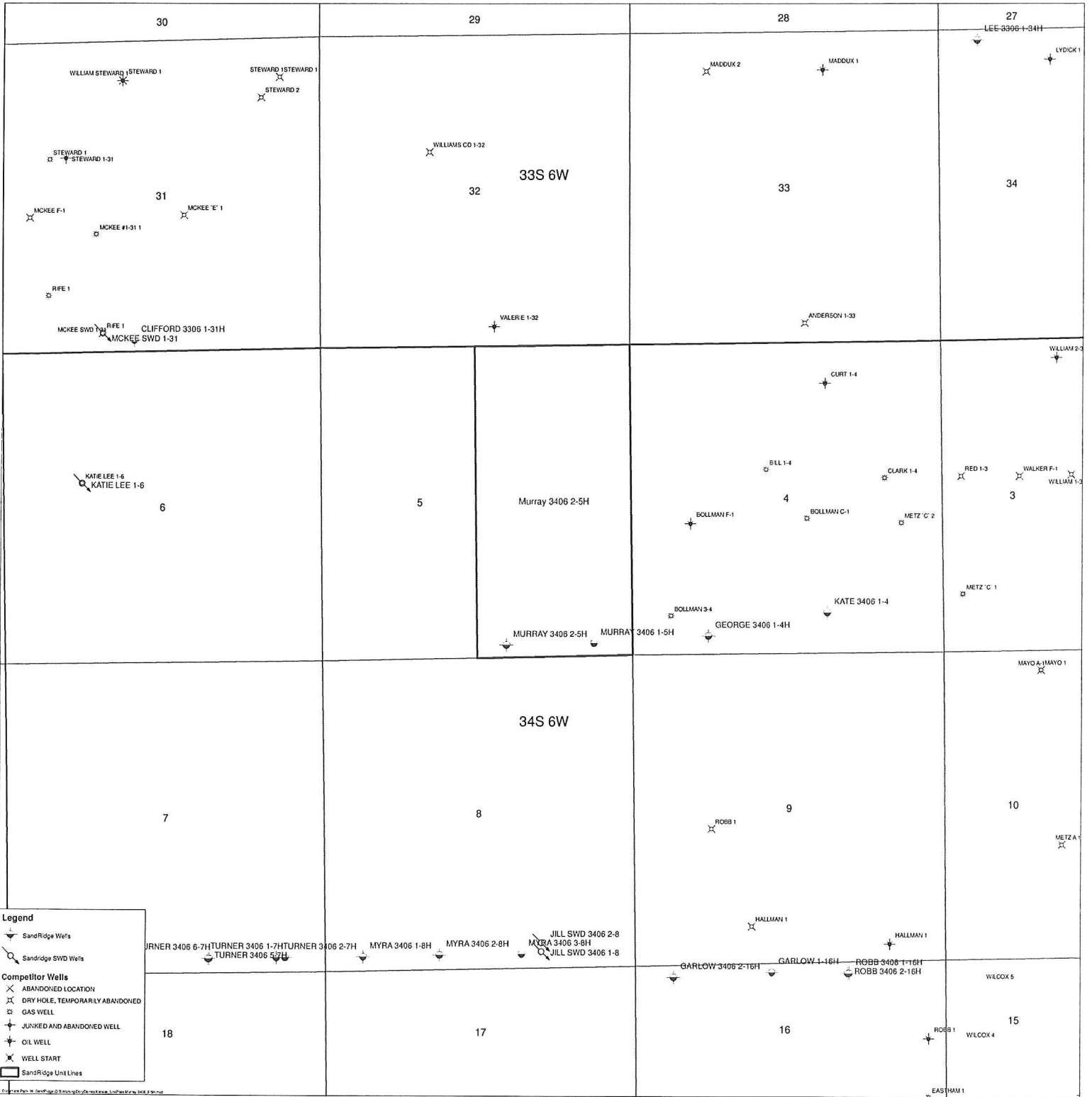
E/2 of 5-34S-6W

Surface Owner:

Johnnie L. Francis

470 W. State Road 2

Anthony, KS 67003





August 2, 2013

Johnnie L. Francis
470 W. State Road 2
Anthony, KS 67003

Re: KSONA-1 NOTIFICATION

Please find attached a draft copy of Intent to Drill currently pending with the KCC for approval. We plan to drill the Murray 3406 2-5H well located in Harper County, Kansas, and you are listed as the current surface owner.

This notice is being provided pursuant to the Kansas Surface Owner Notice Act (House Bill 2032). If you have any questions, please contact us.

Sincerely,

Tiffany Golay
Regulatory Technician
SandRidge Energy
123 Robert S Kerr Avenue
Oklahoma City, OK 73102
T: 405.429.6543
E: tgolay@sandridgeenergy.com

/file
Attach.

Conservation Division
Finney State Office Building
130 S. Market, Rm. 2078
Wichita, KS 67202-3802



Phone: 316-337-6200
Fax: 316-337-6211
<http://kcc.ks.gov/>

Mark Sievers, Chairman
Thomas E. Wright, Commissioner
Shari Feist Albrecht, Commissioner

Sam Brownback, Governor

August 05, 2013

Tiffany Golay
SandRidge Exploration and Production LLC
123 ROBERT S. KERR AVE
OKLAHOMA CITY, OK 73102-6406

Re: Drilling Pit Application
Murray 3406 2-5H
SE/4 Sec.05-34S-06W
Harper County, Kansas

Dear Tiffany Golay:

According to the drilling pit application referenced above, no earthen pits will be used at this location. Steel pits will be used. Please inform the Commission in writing as to which disposal well you utilized to dispose of the contents in the steel pits and the amount of fluid that was disposed. Please file form CDP-5, Exploration and Production Waste Transfer, within 30 days of fluid removal.

Should a haul-off pit be necessary please file form CDP-1, Application for Surface Pit, through KOLAR. This location will have to be inspected prior to approval of the haul-off pit application.

A copy of this letter should be posted in the doghouse along with the approved Intent to Drill. If you have any questions or concerns please feel free to contact the District Office at (316) 630-4000.

HAUL-OFF PIT APPLICATION FILING REQUIREMENTS

82-3-607.

DISPOSAL OF DIKE AND PIT CONTENTS.

(a)
pit

Each operator shall perform one of the following when disposing of dike or contents:

- (1) Remove the liquid contents to a disposal well or other oil and gas operation approved by the commission or to road maintenance or construction locations approved by the department;
- (2) dispose of reserve pit waste down the annular space of a well completed according to the alternate I requirements of K.A.R. 82-3-106, if the waste to be disposed of was generated during the drilling and completion of the well;

or

- (3) dispose of the remaining solid contents in any manner required by the commission. The requirements may include any of the following:
 - (A) Burial in place, in accordance with the grading and restoration requirements in K.A.R. 82-3-602 (f);
 - (B) removal and placement of the contents in an on-site disposal area approved by the commission;
 - (C) removal and placement of the contents in an off-site disposal area

on

lease

from

acreage owned by the same landowner or to another producing or unit operated by the same operator, if prior written permission from the landowner has been obtained; or

approved (D) removal of the contents to a permitted off-site disposal area
by the department.

(b) Each violation of this regulation shall be punishable by the following:

- (1) A \$1,000 penalty for the first violation;
- (2) a \$2,500 penalty for the second violation; and
- (3) a \$5,000 penalty and an operator license review for the third violation.

File Haul-Off Pit Application in KOLAR. Review the information below and attach all required documents to the pit application when submitting through KOLAR. This form will automatically generate and fill in from questions asked in KOLAR.

Haul-off pit will be located in an on-site disposal area: ___Yes ___No

Haul-off pit is located in an off-site disposal area on acreage owned by the same landowner: ___Yes ___No If yes, written permission from the land owner must be obtained. Attach written permission to haul-off pit application.

Haul-off pit is located in an off-site disposal area on another **producing** lease or unit operated by the same operator: ___Yes ___No If yes, written permission from the land owner must be obtained. Attach permission and a copy of the lease assignment that covers the acreage where the haul-off pit is to be located, to the haul-off pit application.