

MURFIN DRILLING

Operator

#2-22

Number

Burk Trust 'C'

Farm Name

Rawlins-KS

County-State

22

S

1s

T

36w

R

2190' FSL 1750' FEL

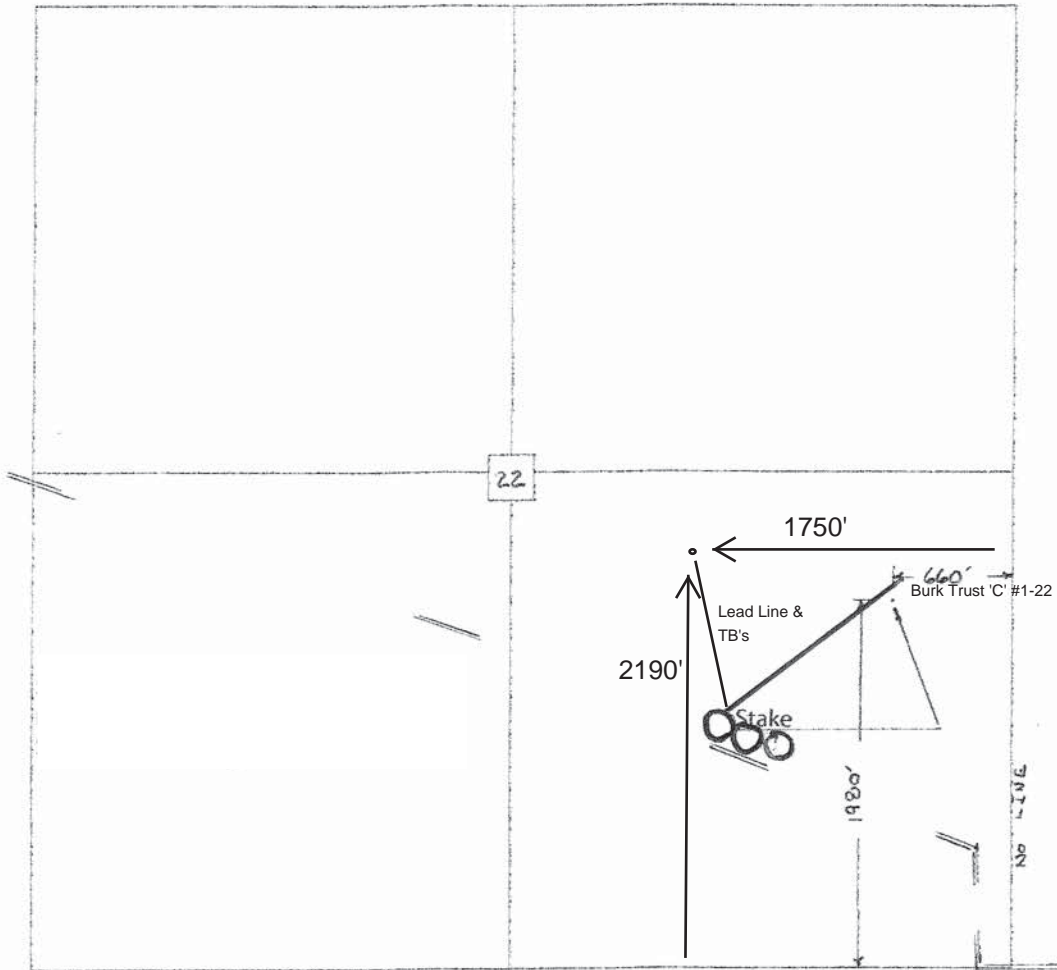
Location

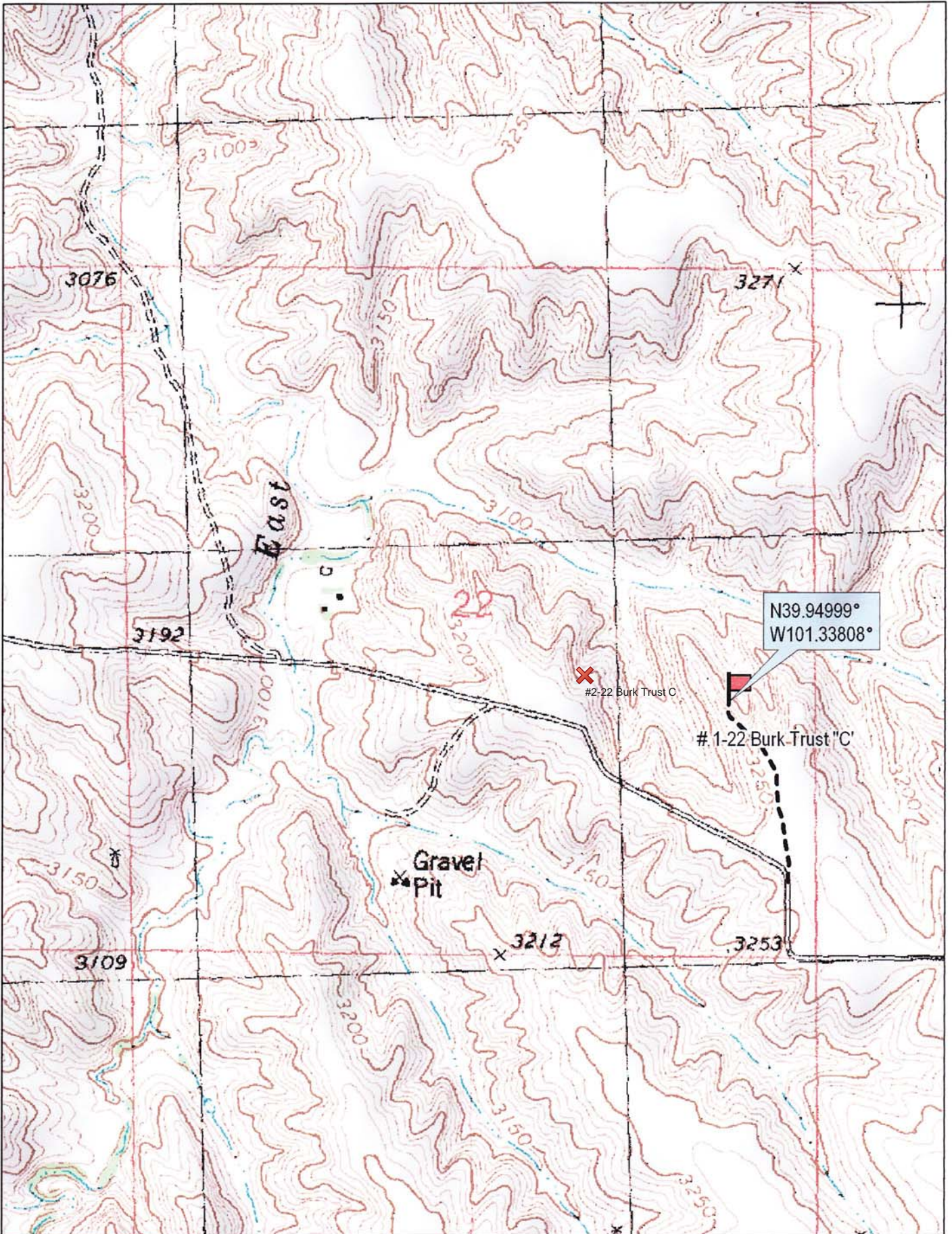
Murfin Drilling
250 N. Water
Suite 300
Wichita, KS. 67202

Elevation 3175 est GR

Ordered By: Shauna

Scale 1" = 1000'





© 2002 DeLorme. 3-D TopoQuads®. Data copyright of content owner.
www.delorme.com

Scale 1 : 12,000
1" = 1000 ft

