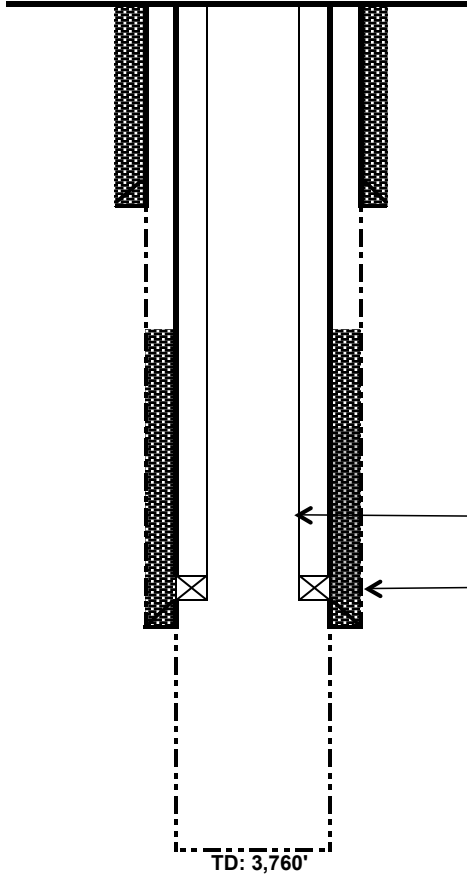


Foulston 2-11 SWD



Wellbore Diagram

Updated: 1/24/14
Location: Section 2 Township 26S Range 3E
Field: Stareck
API Number: 15-015-23992-00-00
Target Zone: Arbuckle



Surface Section

Hole: 12-1/4"
Depth: 314' MD
Casing: 9-5/8" 36# J-55 ST&C
Cement Top: Surface

Intermediate Section

Hole: 8-3/4"
Depth: 3,160' MD
Casing: 7" 23# J-55 LT&C

4.5" Injection Tbg

Packer set @ 3112'

Open Hole Section:

Hole: 6-1/8"
Depth: 3760' MD
Casing: None
Mud Weight: 8.4 ppg