

For KCC Use ONLY

API # 15 - \_\_\_\_\_

**IN ALL CASES PLOT THE INTENDED WELL ON THE PLAT BELOW**

In all cases, please fully complete this side of the form. Include items 1 through 5 at the bottom of this page.

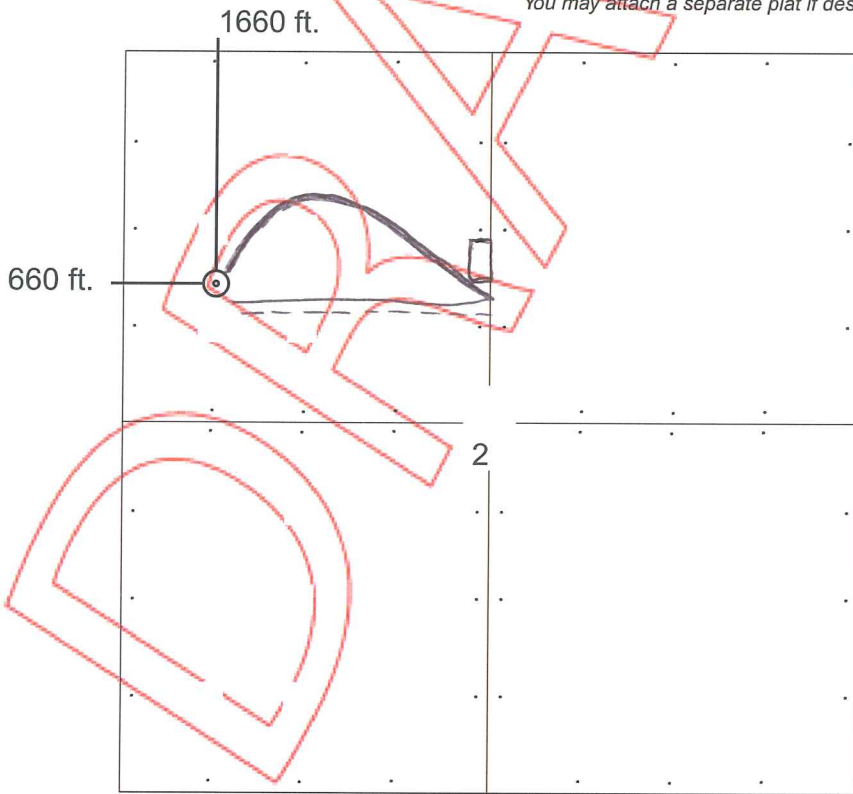
Operator: Great Plains Energy, Inc.  
 Lease: Hunsicker  
 Well Number: 1-2  
 Field: Wildcat  
 Number of Acres attributable to well: 160  
 QTR/QTR/QTR/QTR of acreage: S2 - N2 - SW - NW

Location of Well: County: Graham  
1660 feet from  N /  S Line of Section  
660 feet from  E /  W Line of Section  
 Sec. 2 Twp. 8 S. R. 25  E  W  
 Is Section:  Regular or  Irregular

If Section is Irregular, locate well from nearest corner boundary.  
 Section corner used:  NE  NW  SE  SW

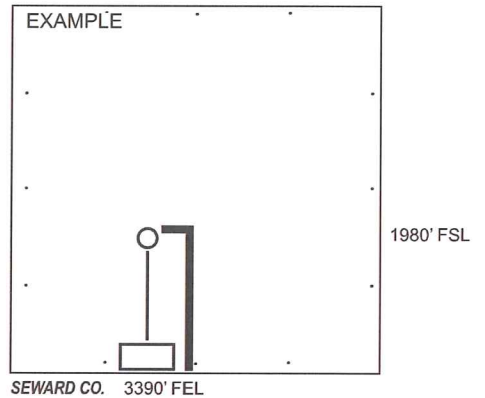
**PLAT**

Show location of the well. Show footage to the nearest lease or unit boundary line. Show the predicted locations of lease roads, tank batteries, pipelines and electrical lines, as required by the Kansas Surface Owner Notice Act (House Bill 2032).  
 You may attach a separate plat if desired.



**LEGEND**

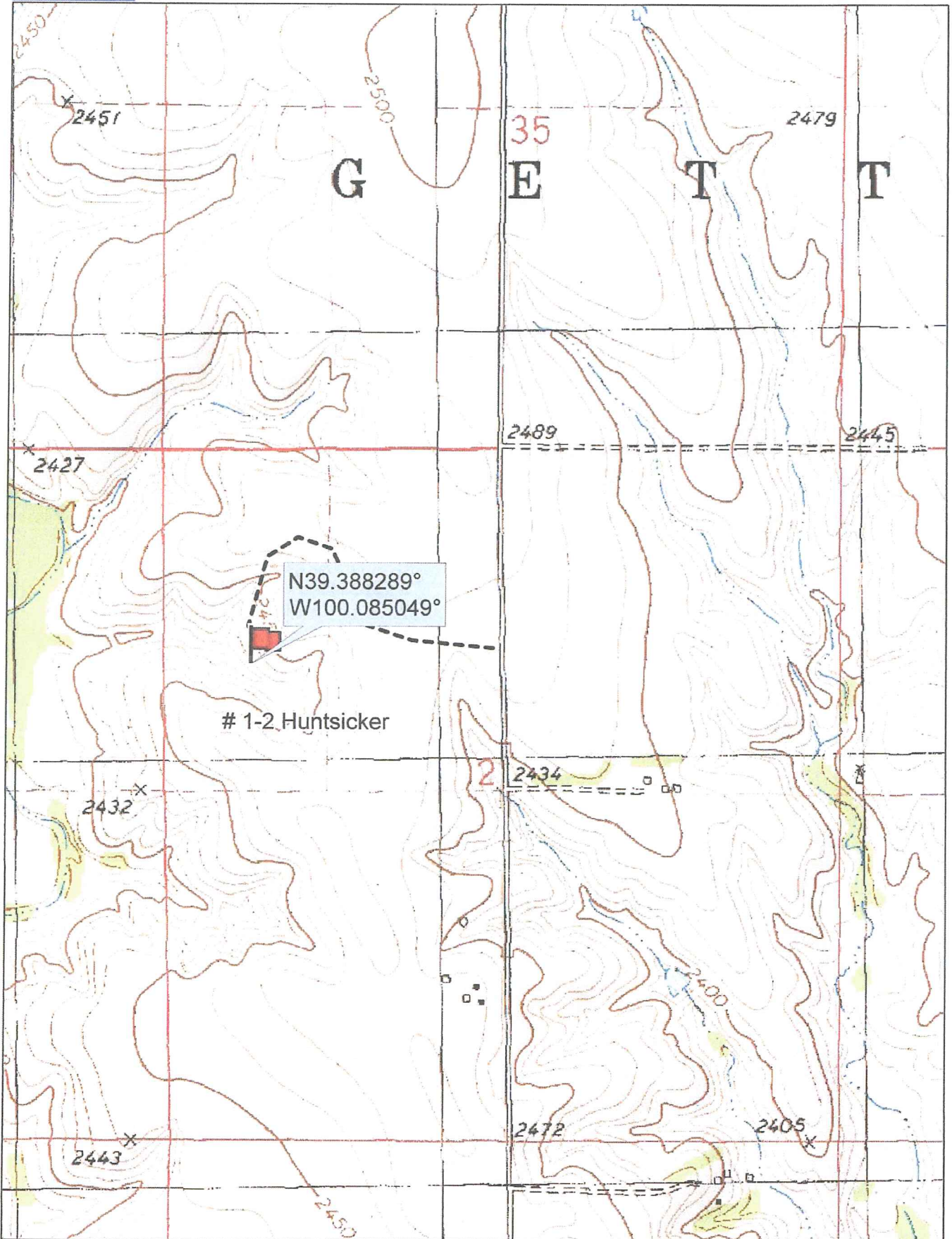
- Well Location
- Tank Battery Location
- Pipeline Location
- Electric Line Location
- Lease Road Location



**NOTE: In all cases locate the spot of the proposed drilling locaton.**

**In plotting the proposed location of the well, you must show:**

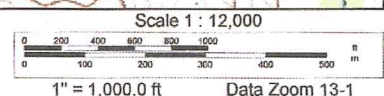
1. The manner in which you are using the depicted plat by identifying section lines, i.e. 1 section, 1 section with 8 surrounding sections, 4 sections, etc.
2. The distance of the proposed drilling location from the south / north and east / west outside section lines.
3. The distance to the nearest lease or unit boundary line (in footage).
4. If proposed location is located within a prorated or spaced field a certificate of acreage attribution plat must be attached: (CO-7 for oil wells; CG-8 for gas wells).
5. The predicted locations of lease roads, tank batteries, pipelines, and electrical lines.

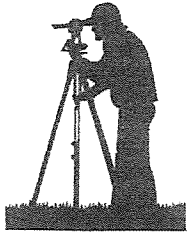


Data use subject to license.

© DeLorme. Topo North America™ 9.

www.delorme.com





# Fall & Associates

Stake and Elevation Service

719 W. 5<sup>th</sup> Street

P.O. Box 404

Concordia, KS. 66901

1-800-536-2821

Date 12-12-14

Invoice Number 1211141

GREAT PLAINS ENERGY

1-2

Huntsicker

Operator

Number

Farm Name

Graham-Ks

2

8s

25w

1660'FNL 660'FWL

County-State

S

T

R

Location

Great Plains Energy  
6121 S. 58th St.  
Suite B  
Lincoln, NE. 68516

Elevation 2431 Gr.

Ordered By: Dan

Scale 1"=1000'

