

# KSONA - Potential Tank Battery Location and Lease Road

## PLOT OF THE INTENDED WELL

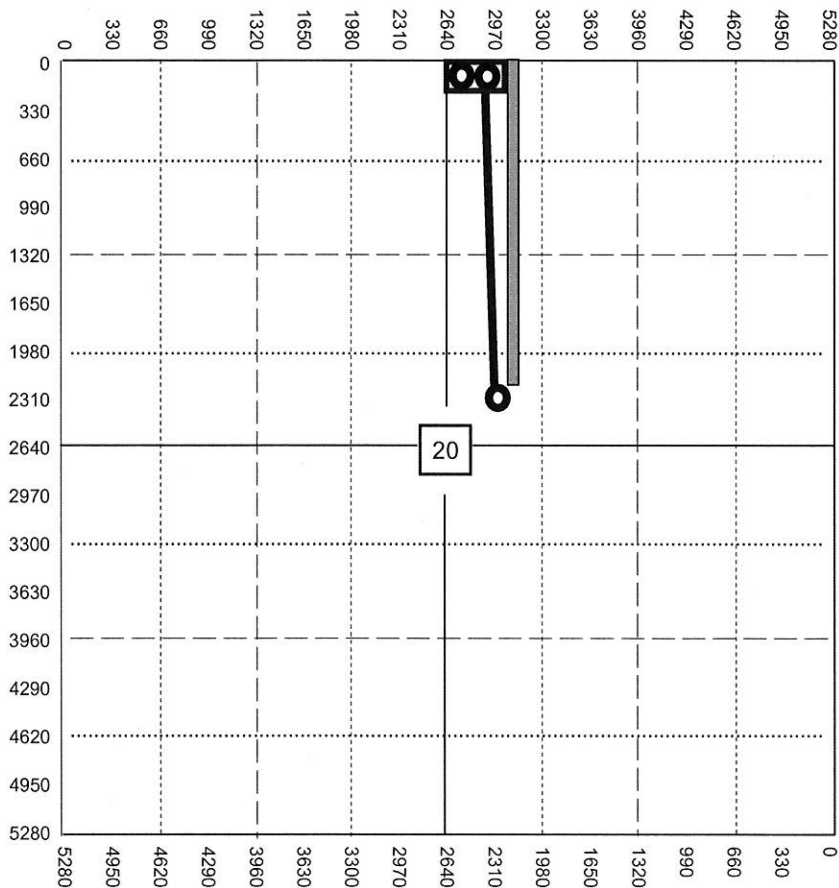
Operator: McCoy Petroleum Corporation  
 Lease: D&D "A" #1-20  
 Well Number: #1-20  
 Field: Wildcat  
 Number of Acres attributable to well: 160  
 QTR/QTR/QTR/QTR of acreage: \_\_\_\_\_ NW

Location of Well: County: SW SW NE Gray Co., KS  
 \_\_\_\_\_ 2310 feet from  N /  S Line of Section  
 \_\_\_\_\_ 2266 feet from  E /  W Line of Section  
 Sec 20 Twp. 29 S Rng. 28  E  W  
 Is Section  Regular or  Irregular

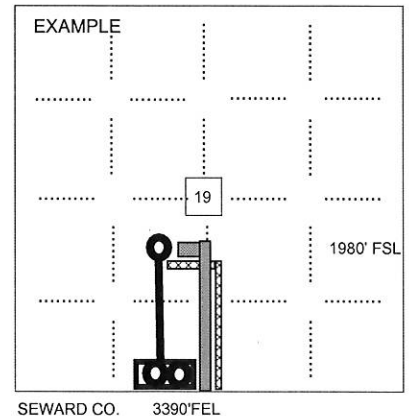
If Section is Irregular, locate well from nearest corner boundary.  
 Section corner used:  NE  NW  SE  SW

### PLAT

Show the predicted locations of lease roads, tank batteries, pipelines and electrical lines,  
 as required by the Kansas Surface Owner Notice Act (House Bill 2032).



- LEGEND**
- Well Location
  - Tank Battery Location
  - Pipeline Location
  - Electric Line Location
  - Lease Road Location



**NOTE: Spot of the proposed drilling location.**