



Fall & Associates

Stake and Elevation Service

P.O. Box 222

Pretty Prairie, KS. 67570

785-243-7506

Date 6-23-17

Invoice Number 0622171

MURFIN DRILLING

1-14

Youngmeyer "A"

Operator

Number

Farm Name

Eik-KS

14

29s

8e

1400'FNL 2400'FEL

County-State

S

T

R

Location

Murfin Drilling
250 N. Water
Suite 300
Wichita, Ks. 67202

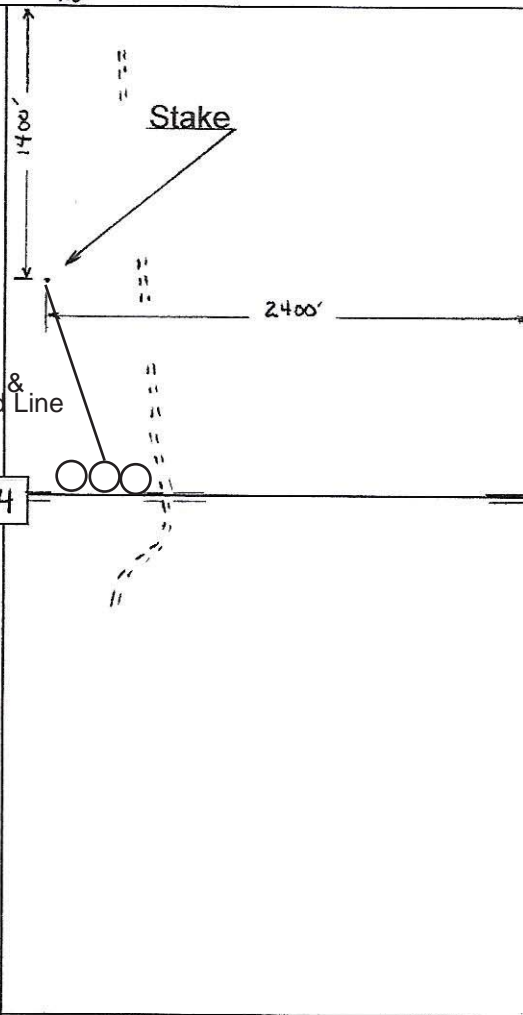
Elevation 1598 Gr.

Ordered By: Shauna

Scale 1"=1000'
ND

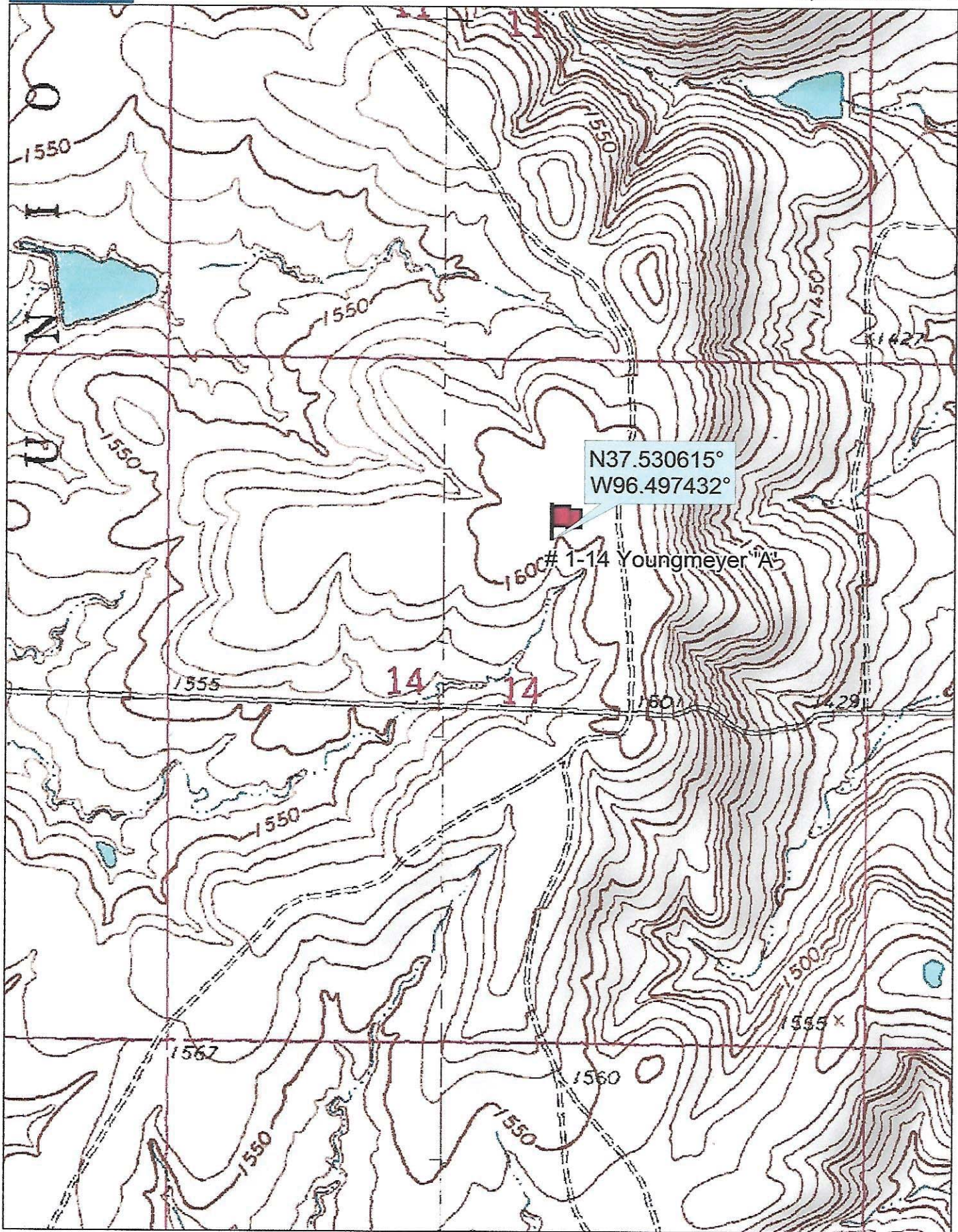


Set 5' Iron rod & 6' wood stake
on slight slope pasture 500'W of
trail.



TB's &
Lead Line

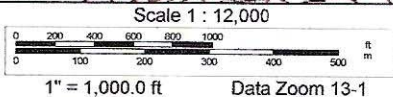
14



Data use subject to license.

© DeLorme. Topo North America™ 9.

www.delorme.com



Data Zoom 13-1