

March 28, 2018

Bottom Hole Survey Summary

Well Name: Geesling 16 #1HXL

Location: Sec. 16-26S-10W

County/State: Reno Co., KS

Formation: Mississippian

Location Information

Surface: 1,780' FNL & 1,020' FEL of Sec 16

First Perf: 2,354' FNL & 721' FEL of Sec 16 (3,990' TVD /4,498' MD)

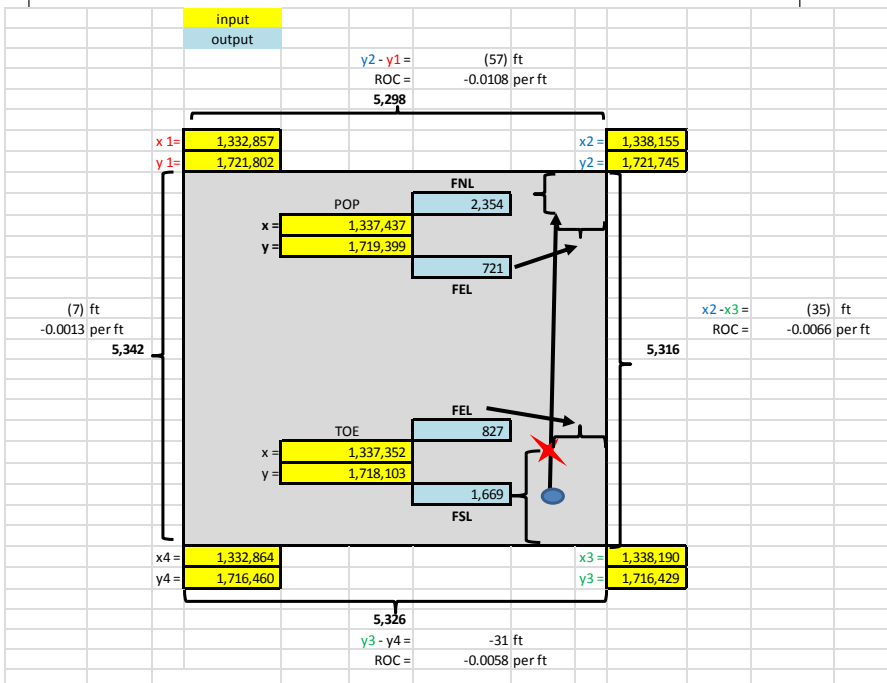
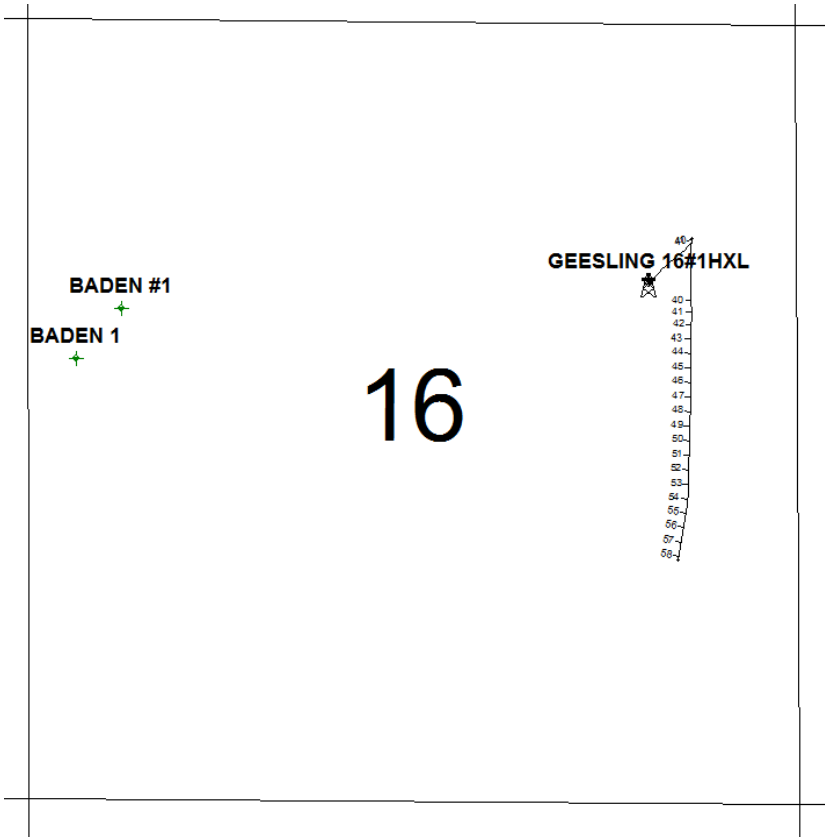
Last Perf: 1,669' FSL & 827' FEL of Sec 16 (3,970' TVD / 5,800' MD)

Lateral Length: 1,302'

Completion Information

Plug and Perf

Map: (Next Page)



Alex VandenBorn
 Petroleum Geologist
 Unit Petroleum