



# Fall & Associates

Stake and Elevation Service

P.O. Box 222

Pretty Prairie, KS. 67570

785-243-7506

Date 3-28-18

Invoice Number 0326181

MURFIN DRILLING

1-19

Cuiwell 'H'

Operator

Number

Farm Name

Cheyenne-KS

19

2s

37w

2310'FSL 2550'FWL

County-State

S

T

R

Location

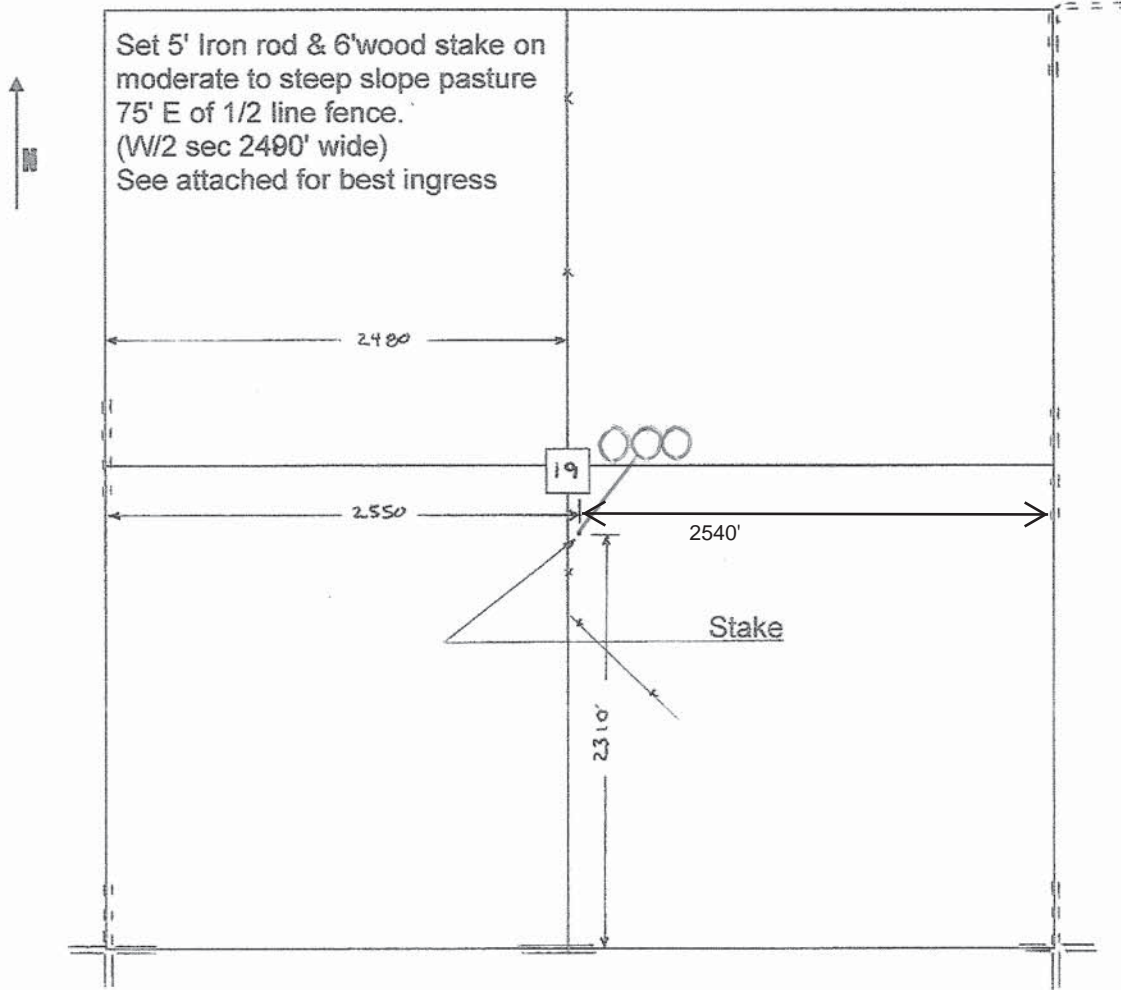
Or 2310'FSL 2540'FEL

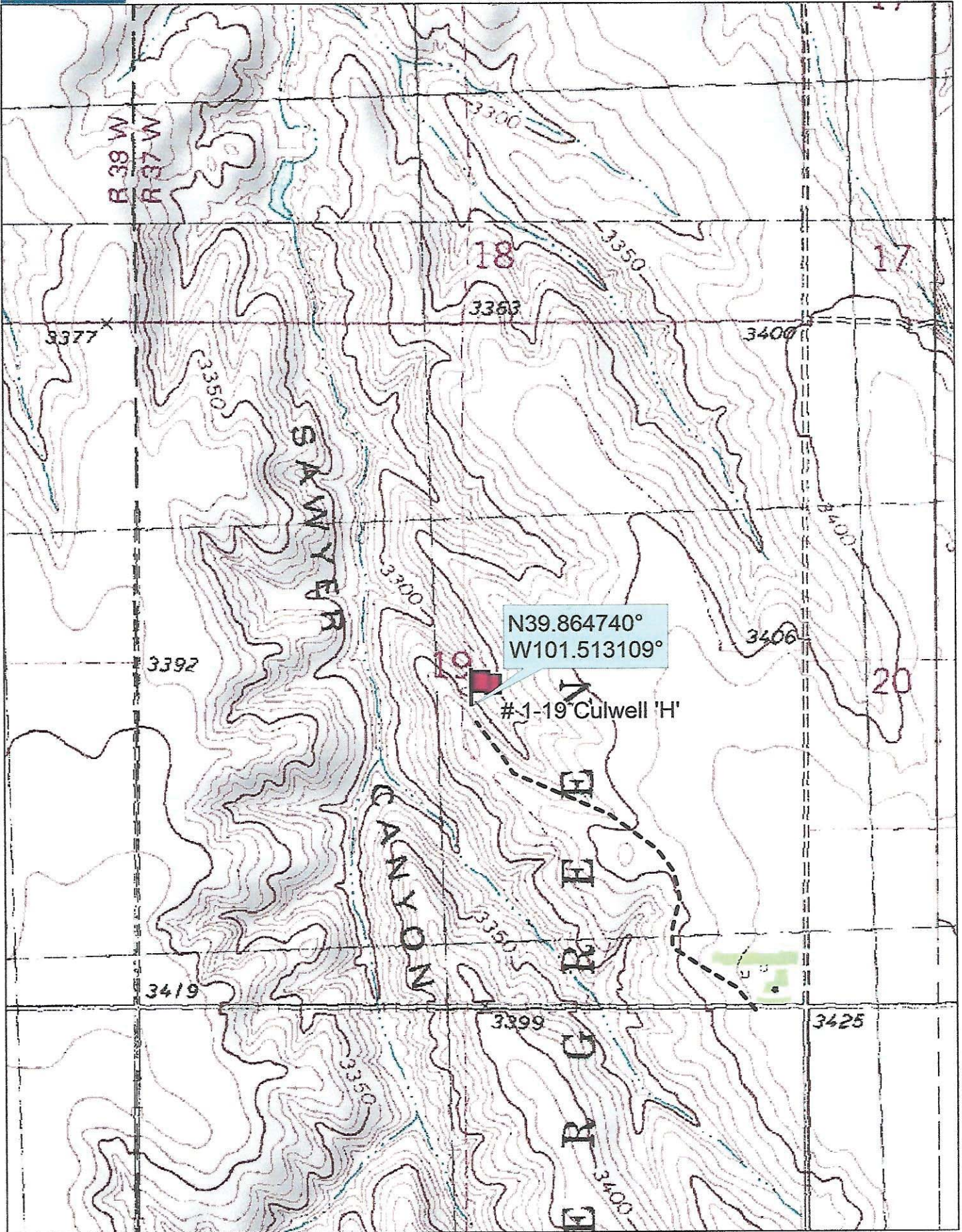
Elevation 3354 Gr.

Murfin Drilling  
250 N Water  
Suite 300  
Wichita, KS. 67202

Ordered By: Shauna

Scale 1"=1000'





Data use subject to license.

© DeLorme. Topo North America™ 9.

www.delorme.com

