

**Noble Energy Inc.**  
**West Hiss W-07**  
**NE NE SW Section 36, T20S-R14W**  
**Barton County, Kansas**  
**CURRENT WELLBORE SCHEMATIC**  
 7/29/2008

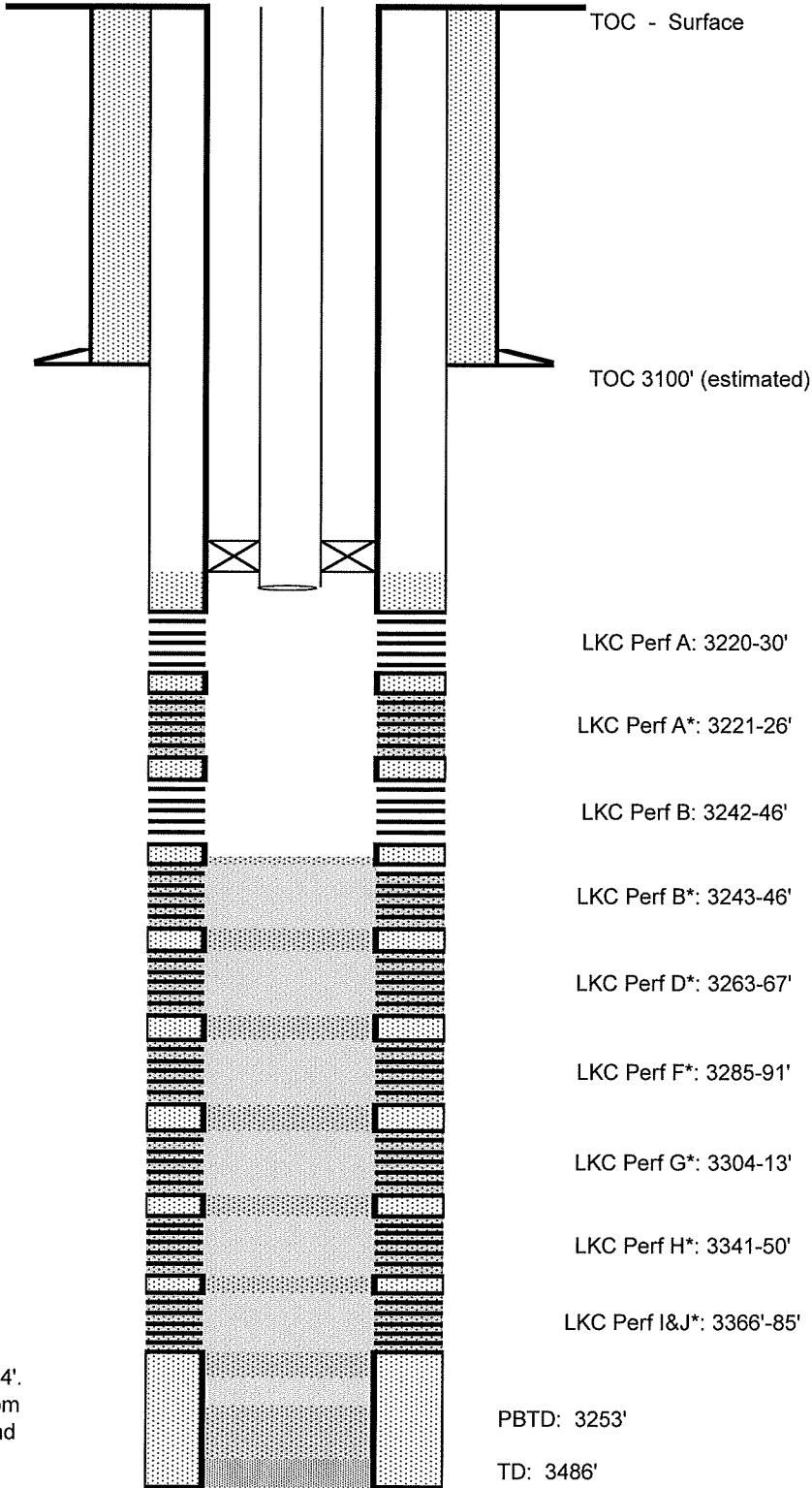
GL Elev: 1908  
 KB Elev: 1910  
 Spud Date: 3/4/45  
 Completed: 4/3/1945

**Surface Casing :**

8-5/8" set at 620.

**Production Casing :**

5 1/2" set at 3,480'.  
 Cemented with 50  
 sks



Cement from 3253'-3304'.  
 Scale and Sediment from  
 3304-45'. Csg shoe and  
 cmt from 3445' to TD.

PBTD: 3253'

TD: 3486'

J. Ostrum