

Well location, PREISSER 2509 #8-1H, located as shown in the SW 1/4 SW 1/4 of Section 8, T25S, R9W, 6th P.M., Reno County, Kansas.

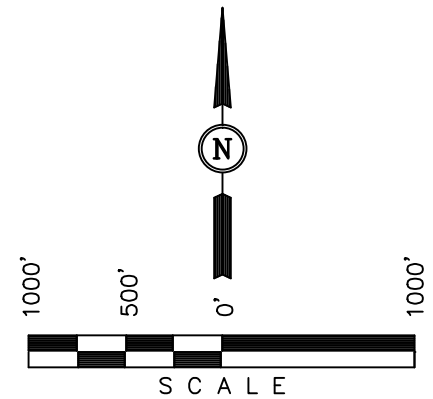
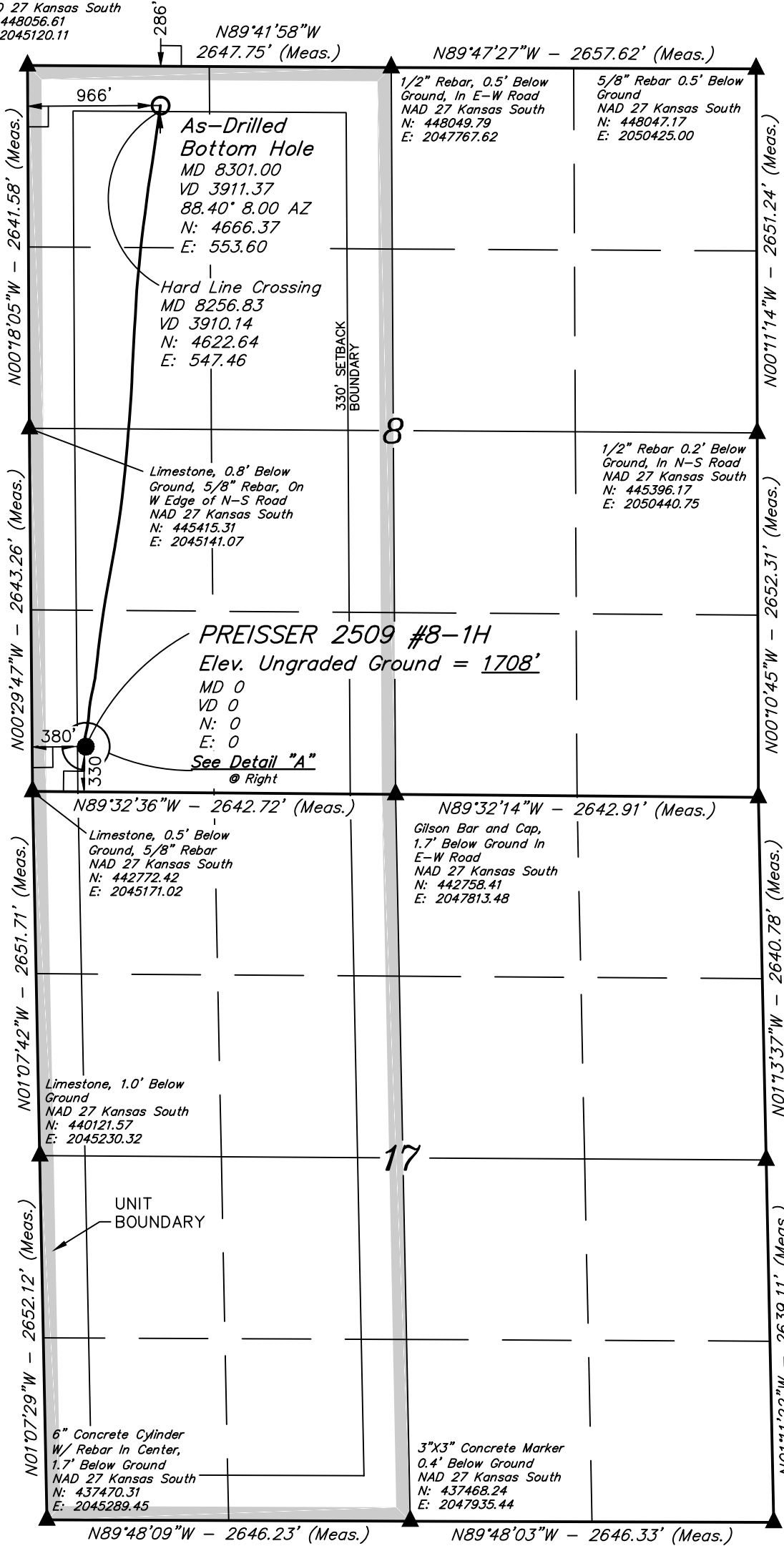
BASIS OF ELEVATION

SPOT ELEVATION LOCATED AT THE SOUTHWEST CORNER OF SECTION 18, T23S, R8W, 6th P.M. TAKEN FROM THE ALDEN SE, QUADRANGLE, KANSAS, RENO COUNTY, 7.5 MINUTE QUAD (TOPOGRAPHIC MAP) PUBLISHED BY THE UNITED STATES DEPARTMENT OF THE INTERIOR, GEOLOGICAL SURVEY, SAID ELEVATION IS MARKED AS BEING 1688 FEET.

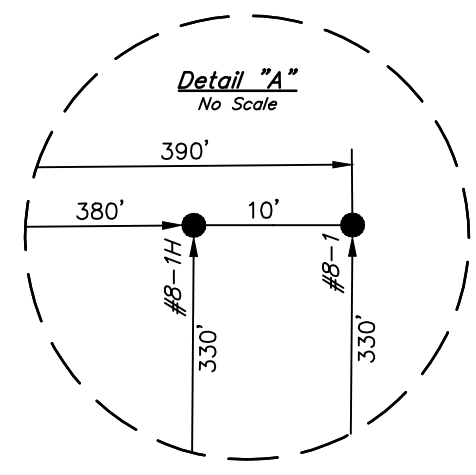
BASIS OF BEARINGS

BASIS OF BEARINGS IS A G.P.S. OBSERVATION.

1/2" Rebar, 0.7' Below Ground
NAD 27 Kansas South
N: 448056.61
E: 2045120.11



LINE TABLE		
LINE	DIRECTION	LENGTH



1/2" Rebar, 0.7' Below Ground In N-S Road
NAD 27 Kansas South
N: 442744.11
E: 2050456.12

1/2" Rebar 0.3' Below Ground, In N-S Road
NAD 27 Kansas South
N: 440104.29
E: 2050519.71

1/2" Rebar, 0.1' Below Ground In N-S Road
NAD 27 Kansas South
N: 437466.09
E: 2050581.54

CERTIFICATE

THIS IS TO CERTIFY THAT THE ABOVE PLAT WAS PREPARED FROM FIELD NOTES OF ACTUAL SURVEYS MADE BY ME OR UNDER MY SUPERVISION AND THAT THE SAME ARE TRUE AND CORRECT TO THE BEST OF MY KNOWLEDGE AND BELIEF.

Robert S. Justice
REGISTERED LAND SURVEYOR
REGISTRATION NO. 1451
STATE OF KANSAS

- LEGEND:
- └─┘ = 90° SYMBOL
 - = PROPOSED WELL HEAD.
 - ▲ = SECTION CORNERS LOCATED.

NAD 83 (#8-1H AS-DRILLED BOTTOM HOLE) LATITUDE = 37°53'46.75" (37.896319) LONGITUDE = 98°20'26.26" (98.340628)	NAD 83 (#8-1H SURFACE LOCATION) LATITUDE = 37°53'00.61" (37.883503) LONGITUDE = 98°20'33.11" (98.342531)
NAD 27 (#8-1H AS-DRILLED BOTTOM HOLE) LATITUDE = 37°53'46.70" (37.896306) LONGITUDE = 98°20'25.01" (98.340281)	NAD 27 (#8-1H SURFACE LOCATION) LATITUDE = 37°53'00.56" (37.883489) LONGITUDE = 98°20'31.86" (98.342183)
STATE PLANE NAD 27 (KANSAS SOUTH) N: 447767.90 E: 2046088.43	STATE PLANE NAD 27 (KANSAS SOUTH) N: 443100.42 E: 2045547.34

UINTAH ENGINEERING & LAND SURVEYING 85 SOUTH 200 EAST - VERNAL, UTAH 84078 (435) 789-1017		
SCALE 1" = 1000'	DATE SURVEYED: 02-18-13	DATE DRAWN: 03-13-13
PARTY J.P. C.B. C.A.G.	REFERENCES G.L.O. PLAT	
WEATHER HOT	FILE SGOMI	