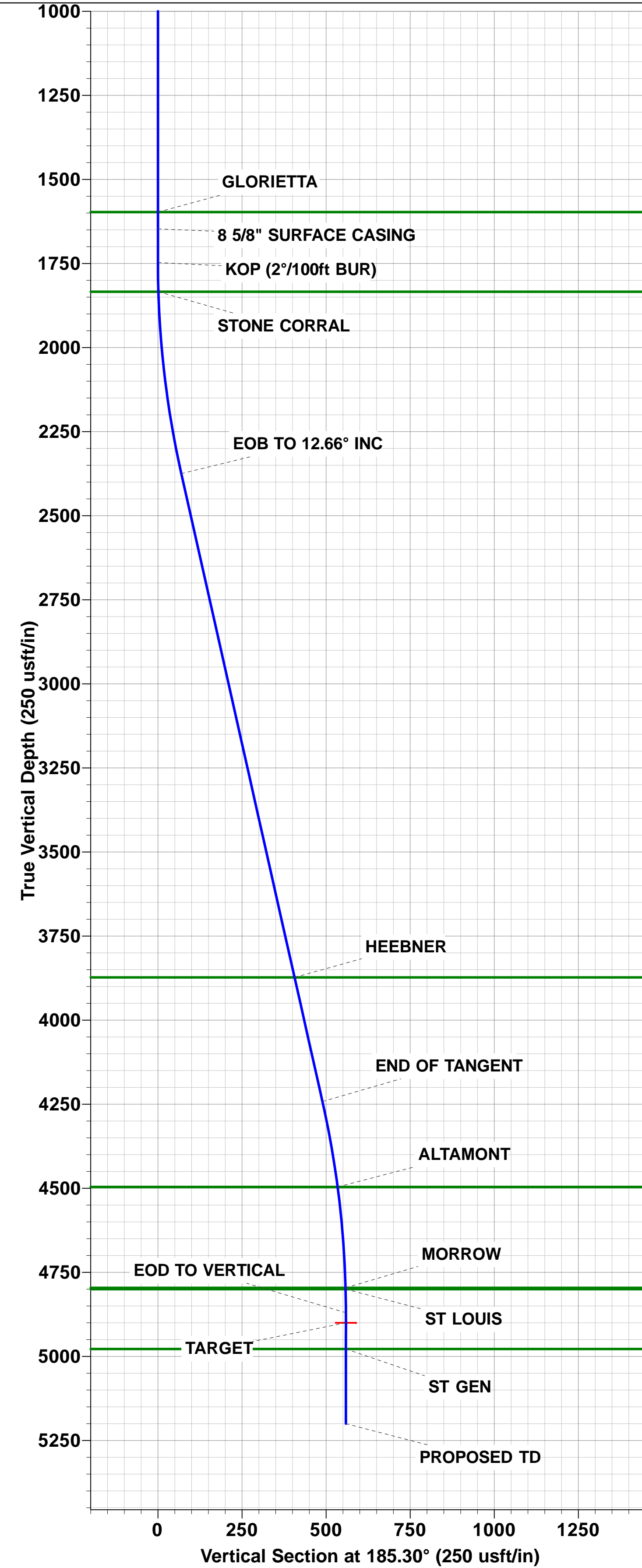


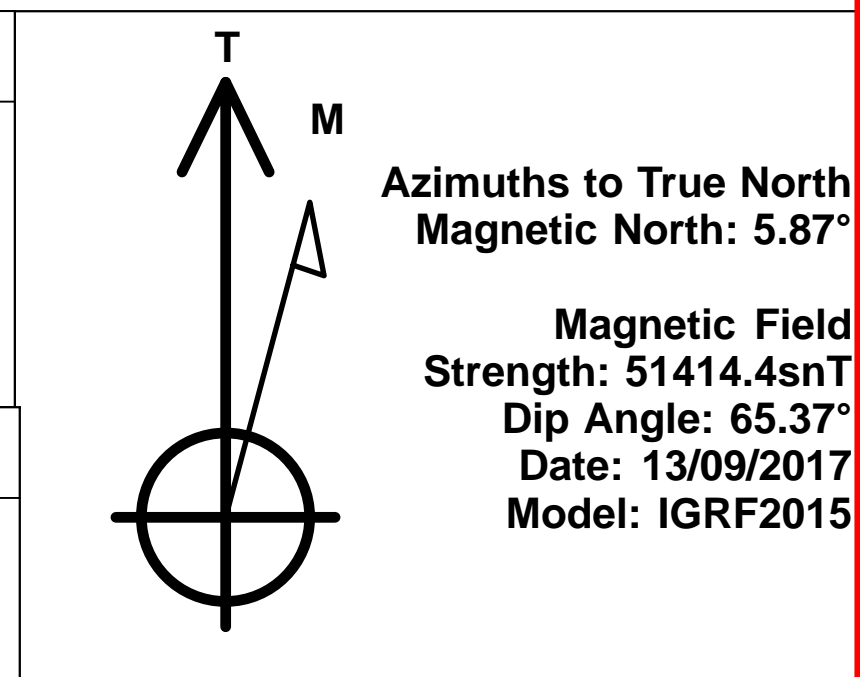


Project: FINNEY COUNTY, KANSAS  
 Site: NE NW SEC. 10 T25S R33W 6th P.M.  
 Well: MAE 1-10  
 Wellbore: ORIGINAL WELLBORE  
 Design: PROPOSAL #1



| PROJECT DETAILS: FINNEY COUNTY, KANSAS                |        |              |
|---|--------|--------------|
| Geodetic System: US State Plane 1927 (Exact solution) |        |              |
| Datum: NAD 1927 (NADCON CONUS)                        |        |              |
| Ellipsoid: Clarke 1866                                |        |              |
| Zone: Kansas South 1502                               |        |              |
| Padsite: NE NW SEC. 10 T25S R33W 6th P.M.             |        |              |
| FORMATION TOP DETAILS                                 |        |              |
| TVDPATH   | MDPATH | FORMATION    |
| 1597.0  | 1597.0 | GLORIETTA    |
| 1834.0  | 1834.0 | STONE CORRAL |
| 3873.0  | 3915.5 | HEEBNER      |
| 4496.0  | 4551.7 | ALTAMONT     |
| 4796.0  | 4852.8 | MORROW       |
| 4800.0  | 4856.8 | ST LOUIS     |
| 4978.0  | 5034.8 | ST GEN       |

| WELL DETAILS: MAE 1-10     |        |           |            |           |             |           |             |
|----------------------------|--------|-----------|------------|-----------|-------------|-----------|-------------|
| Ground Level: 2900.9       |        |           |            |           |             |           |             |
| +N/-S                      | +E/-W  | Northing  | Easting    | Latitude  | Longitude   |           |             |
| 0.0                        | 0.0    | 458227.20 | 1299137.37 | 37.900061 | -100.929246 |           |             |
| DESIGN TARGET DETAILS      |        |           |            |           |             |           |             |
| Name                       | TVD    | +N/-S     | +E/-W      | Northing  | Easting     | Latitude  | Longitude   |
| PROPOSED TARGET - MAE 1-10 | 4900.0 | -556.4    | -51.7      | 457672.36 | 1299071.23  | 37.898533 | -100.929425 |



| ANNOTATIONS |        |       |        |        |       |       |           |            |   |
|-------------|--------|-------|--------|--------|-------|-------|-----------|------------|---|
| TVD         | MD     | Inc   | Azi    | +N/-S  | +E/-W | VSec  | Departure | Annotation |   |
| 0.0         | 0.0    | 0.00  | 0.00   | 0.0    | 0.0   | 0.0   | 0.0       | 0.0        | SHL: 825ft FNL & 2513ft FWL of Sec 10     |
| 1647.0      | 1647.0 | 0.00  | 0.00   | 0.0    | 0.0   | 0.0   | 0.0       | 0.0        | 8 5/8" SURFACE CASING                     |
| 1747.0      | 1747.0 | 0.00  | 0.00   | 0.0    | 0.0   | 0.0   | 0.0       | 0.0        | KOP (2°/100ft BUR)                        |
| 2375.0      | 2380.1 | 12.66 | 185.30 | -69.4  | -6.4  | 69.7  | 69.7      | 69.7       | EOB TO 12.66° INC                         |
| 4242.0      | 4293.7 | 12.66 | 185.30 | -487.0 | -45.2 | 489.1 | 489.1     | 489.1      | END OF TANGENT                            |
| 4870.0      | 4926.8 | 0.00  | 0.00   | -556.4 | -51.7 | 558.8 | 558.8     | 558.8      | EOD TO VERTICAL                           |
| 4900.0      | 4956.8 | 0.00  | 0.00   | -556.4 | -51.7 | 558.8 | 558.8     | 558.8      | TARGET: 1382ft FNL & 2460ft FWL of Sec 10 |
| 5200.0      | 5256.8 | 0.00  | 0.00   | -556.4 | -51.7 | 558.8 | 558.8     | 558.8      | PROPOSED TD                               |

