

KANSAS CORPORATION COMMISSION  
OIL & GAS CONSERVATION DIVISION

Form CP-1  
March 2010

This Form must be Typed  
Form must be Signed  
All blanks must be Filled

WELL PLUGGING APPLICATION

Form KSONA-1, Certification of Compliance with the Kansas Surface Owner Notification Act,  
MUST be submitted with this form.

OPERATOR: License #: \_\_\_\_\_  
Name: \_\_\_\_\_  
Address 1: \_\_\_\_\_  
Address 2: \_\_\_\_\_  
City: \_\_\_\_\_ State: \_\_\_\_\_ Zip: \_\_\_\_\_ + \_\_\_\_\_  
Contact Person: \_\_\_\_\_  
Phone: ( \_\_\_\_\_ ) \_\_\_\_\_

API No. 15 - \_\_\_\_\_  
If pre 1967, supply original completion date: \_\_\_\_\_  
Spot Description: \_\_\_\_\_  
\_\_\_\_ - \_\_\_\_ - \_\_\_\_ Sec. \_\_\_\_ Twp. \_\_\_\_ S. R. \_\_\_\_  East  West  
\_\_\_\_\_ Feet from  North /  South Line of Section  
\_\_\_\_\_ Feet from  East /  West Line of Section  
Footages Calculated from Nearest Outside Section Corner:  
 NE  NW  SE  SW  
County: \_\_\_\_\_  
Lease Name: \_\_\_\_\_ Well #: \_\_\_\_\_

Check One:  Oil Well  Gas Well  OG  D&A  Cathodic  Water Supply Well  Other: \_\_\_\_\_  
 SWD Permit #: \_\_\_\_\_  ENHR Permit #: \_\_\_\_\_  Gas Storage Permit #: \_\_\_\_\_

Conductor Casing Size: \_\_\_\_\_ Set at: \_\_\_\_\_ Cemented with: \_\_\_\_\_ Sacks  
Surface Casing Size: \_\_\_\_\_ Set at: \_\_\_\_\_ Cemented with: \_\_\_\_\_ Sacks  
Production Casing Size: \_\_\_\_\_ Set at: \_\_\_\_\_ Cemented with: \_\_\_\_\_ Sacks

List (ALL) Perforations and Bridge Plug Sets:

Elevation: \_\_\_\_\_ (  G.L. /  K.B. ) T.D.: \_\_\_\_\_ PBTD: \_\_\_\_\_ Anhydrite Depth: \_\_\_\_\_  
(Stone Corral Formation)

Condition of Well:  Good  Poor  Junk in Hole  Casing Leak at: \_\_\_\_\_  
(Interval)

Proposed Method of Plugging (attach a separate page if additional space is needed):

Is Well Log attached to this application?  Yes  No Is ACO-1 filed?  Yes  No

If ACO-1 not filed, explain why:

Plugging of this Well will be done in accordance with K.S.A. 55-101 et. seq. and the Rules and Regulations of the State Corporation Commission

Company Representative authorized to supervise plugging operations: \_\_\_\_\_  
Address: \_\_\_\_\_ City: \_\_\_\_\_ State: \_\_\_\_\_ Zip: \_\_\_\_\_ + \_\_\_\_\_  
Phone: ( \_\_\_\_\_ ) \_\_\_\_\_  
Plugging Contractor License #: \_\_\_\_\_ Name: \_\_\_\_\_  
Address 1: \_\_\_\_\_ Address 2: \_\_\_\_\_  
City: \_\_\_\_\_ State: \_\_\_\_\_ Zip: \_\_\_\_\_ + \_\_\_\_\_  
Phone: ( \_\_\_\_\_ ) \_\_\_\_\_

Proposed Date of Plugging (if known): \_\_\_\_\_

Payment of the Plugging Fee (K.A.R. 82-3-118) will be guaranteed by Operator or Agent

Submitted Electronically

KANSAS CORPORATION COMMISSION  
OIL & GAS CONSERVATION DIVISION

Form KSONA-1  
January 2014  
**Form Must Be Typed**  
**Form must be Signed**  
**All blanks must be Filled**

**CERTIFICATION OF COMPLIANCE WITH THE  
KANSAS SURFACE OWNER NOTIFICATION ACT**

*This form must be submitted with all Forms C-1 (Notice of Intent to Drill); CB-1 (Cathodic Protection Borehole Intent); T-1 (Request for Change of Operator Transfer of Injection or Surface Pit Permit); and CP-1 (Well Plugging Application). Any such form submitted without an accompanying Form KSONA-1 will be returned.*

Select the corresponding form being filed:  C-1 (Intent)  CB-1 (Cathodic Protection Borehole Intent)  T-1 (Transfer)  CP-1 (Plugging Application)

OPERATOR: License # \_\_\_\_\_  
Name: \_\_\_\_\_  
Address 1: \_\_\_\_\_  
Address 2: \_\_\_\_\_  
City: \_\_\_\_\_ State: \_\_\_\_\_ Zip: \_\_\_\_\_ + \_\_\_\_\_  
Contact Person: \_\_\_\_\_  
Phone: ( \_\_\_\_\_ ) \_\_\_\_\_ Fax: ( \_\_\_\_\_ ) \_\_\_\_\_  
Email Address: \_\_\_\_\_

Well Location:  
\_\_\_\_ - \_\_\_\_ - \_\_\_\_ - \_\_\_\_ Sec. \_\_\_\_ Twp. \_\_\_\_ S. R. \_\_\_\_  East  West  
County: \_\_\_\_\_  
Lease Name: \_\_\_\_\_ Well #: \_\_\_\_\_  
*If filing a Form T-1 for multiple wells on a lease, enter the legal description of the lease below:*

**Surface Owner Information:**

Name: \_\_\_\_\_  
Address 1: \_\_\_\_\_  
Address 2: \_\_\_\_\_  
City: \_\_\_\_\_ State: \_\_\_\_\_ Zip: \_\_\_\_\_ + \_\_\_\_\_

*When filing a Form T-1 involving multiple surface owners, attach an additional sheet listing all of the information to the left for each surface owner. Surface owner information can be found in the records of the register of deeds for the county, and in the real estate property tax records of the county treasurer.*

*If this form is being submitted with a Form C-1 (Intent) or CB-1 (Cathodic Protection Borehole Intent), you must supply the surface owners and the KCC with a plat showing the predicted locations of lease roads, tank batteries, pipelines, and electrical lines. The locations shown on the plat are preliminary non-binding estimates. The locations may be entered on the Form C-1 plat, Form CB-1 plat, or a separate plat may be submitted.*

**Select one of the following:**

- I certify that, pursuant to the Kansas Surface Owner Notice Act (House Bill 2032), I have provided the following to the surface owner(s) of the land upon which the subject well is or will be located: 1) a copy of the Form C-1, Form CB-1, Form T-1, or Form CP-1 that I am filing in connection with this form; 2) if the form being filed is a Form C-1 or Form CB-1, the plat(s) required by this form; and 3) my operator name, address, phone number, fax, and email address.
- I have not provided this information to the surface owner(s). I acknowledge that, because I have not provided this information, the KCC will be required to send this information to the surface owner(s). To mitigate the additional cost of the KCC performing this task, I acknowledge that I must provide the name and address of the surface owner by filling out the top section of this form and that I am being charged a \$30.00 handling fee, payable to the KCC, which is enclosed with this form.

*If choosing the second option, submit payment of the \$30.00 handling fee with this form. If the fee is not received with this form, the KSONA-1 form and the associated Form C-1, Form CB-1, Form T-1, or Form CP-1 will be returned.*

I Submitted Electronically

I

Form	CP1 - Well Plugging Application
Operator	Merit Energy Company, LLC
Well Name	USA AD 2
Doc ID	1456456

Perforations And Bridge Plug Sets

Perforation Top	Perforation Base	Formation	Bridge Plug Depth
5468	5648	Morrow	

# WELL FILE

UNITED STATES  
DEPARTMENT OF THE INTERIOR  
BUREAU OF LAND MANAGEMENT

FORM APPROVED  
OMB NO. 1004-0137  
Expires: January 31, 2018

**FLse**

**SUNDRY NOTICES AND REPORTS ON WELLS**  
*Do not use this form for proposals to drill or to re-enter an abandoned well. Use form 3160-3 (APD) for such proposals.*

5. Lease Serial No.  
**KSNM67927**

6. If Indian, Allottee or Tribe Name

7. If Unit or CA/Agreement, Name and/or No.

**SUBMIT IN TRIPLICATE - Other instructions on page 2**

1. Type of Well  
 Oil Well    Gas Well    Other

8. Well Name and No.  
USA AD 2

2. Name of Operator  
**MERIT ENERGY COMPANY**

Contact: **KATHERINE A MCCLURKAN**  
E-Mail: **kathy.mcclurkan@meritenergy.com**

9. API Well No.  
**15-129-21230-00-S1**

3a. Address  
**13727 NOEL RD STE 500  
DALLAS, TX 75240**

3b. Phone No. (include area code)  
Ph: **972-628-1660**  
Fx: **972-628-1690**

10. Field and Pool or Exploratory Area  
**STIRRUP**

4. Location of Well (Footage, Sec., T., R., M., or Survey Description)  
**Sec 11 T33S R40W SWSW 660FSL 660FWL  
37.187110 N Lat, 101.643750 W Lon**

11. County or Parish, State  
**MORTON COUNTY, KS**

**12. CHECK THE APPROPRIATE BOX(ES) TO INDICATE NATURE OF NOTICE, REPORT, OR OTHER DATA**

TYPE OF SUBMISSION	TYPE OF ACTION			
<input checked="" type="checkbox"/> Notice of Intent	<input type="checkbox"/> Acidize	<input type="checkbox"/> Deepen	<input type="checkbox"/> Production (Start/Resume)	<input type="checkbox"/> Water Shut-Off
<input type="checkbox"/> Subsequent Report	<input type="checkbox"/> Alter Casing	<input type="checkbox"/> Hydraulic Fracturing	<input type="checkbox"/> Reclamation	<input type="checkbox"/> Well Integrity
<input type="checkbox"/> Final Abandonment Notice	<input type="checkbox"/> Casing Repair	<input type="checkbox"/> New Construction	<input type="checkbox"/> Recomplete	<input type="checkbox"/> Other
	<input type="checkbox"/> Change Plans	<input checked="" type="checkbox"/> Plug and Abandon	<input type="checkbox"/> Temporarily Abandon	
	<input type="checkbox"/> Convert to Injection	<input type="checkbox"/> Plug Back	<input type="checkbox"/> Water Disposal	

13. Describe Proposed or Completed Operation: Clearly state all pertinent details, including estimated starting date of any proposed work and approximate duration thereof. If the proposal is to deepen directionally or recomplete horizontally, give subsurface locations and measured and true vertical depths of all pertinent markers and zones. Attach the Bond under which the work will be performed or provide the Bond No. on file with BLM/BIA. Required subsequent reports must be filed within 30 days following completion of the involved operations. If the operation results in a multiple completion or recompletion in a new interval, a Form 3160-4 must be filed once testing has been completed. Final Abandonment Notices must be filed only after all requirements, including reclamation, have been completed and the operator has determined that the site is ready for final inspection.

Merit Energy Company request approval to plug and abandon the above referenced well. The plugging procedure, current & proposed WBD's, and reclamation procedure are attached.

Approved with conditions  
"see Attached Conditions of Approval"  
s.l. Blen

Adj DCR 03/29/19  
Eng S Blen 4-3-2019  
Adj \_\_\_\_\_

14. I hereby certify that the foregoing is true and correct.

**Electronic Submission #459562 verified by the BLM Well Information System  
For MERIT ENERGY COMPANY, sent to the Tulsa  
Committed to AFMSS for processing by DALE ROBINS on 03/29/2019 (19DCR0144SE)**

Name (Printed/Typed) <b>KATHERINE A MCCLURKAN</b>	Title <b>REGULATORY ANALYST</b>
Signature (Electronic Submission)	Date <b>03/28/2019</b>

**THIS SPACE FOR FEDERAL OR STATE OFFICE USE**

Approved By <i>[Signature]</i>	Title <i>Retroleum Engineer</i>	Date <i>4/3/2019</i>
Conditions of approval, if any, are attached. Approval of this notice does not warrant or certify that the applicant holds legal or equitable title to those rights in the subject lease which would entitle the applicant to conduct operations thereon.		Office

Title 18 U.S.C. Section 1001 and Title 43 U.S.C. Section 1212, make it a crime for any person knowingly and willfully to make to any department or agency of the United States any false, fictitious or fraudulent statements or representations as to any matter within its jurisdiction.

(Instructions on page 2)

**\*\* BLM REVISED \*\* BLM REVISED \*\* BLM REVISED \*\* BLM REVISED \*\* BLM REVISED \*\***



# United States Department of the Interior

BUREAU OF LAND MANAGEMENT  
Oklahoma Field Office  
201 Stephenson Parkway, Ste. 1200  
Norman, Oklahoma 73072  
www.blm.gov/nm



## ENGINEERING CONDITIONS OF APPROVAL FOR THE PLUG AND ABANDON SUNDRY

Well Name: USA AD #2 Lease No: KSNM 67927  
Location: SW-SW Sec. 11, T33S-R40W Morton County, KS.  
API Number: 15-129-21230  
Operator: Merit Energy Company Date: April 3, 2019  
Completed by Date: June 15, 2019

**A COPY OF THESE CONDITIONS OF APPROVAL MUST BE FURNISHED TO YOUR  
FIELD REPRESENTATIVE**

### SPECIFIC CONDITIONS OF APPROVAL

Assure BTW (?) to surface is covered with cement.  
8.625" Surface Casing Shoe set at 1562'. Cement to surface.  
5.5" Production Casing Shoe set at 5832'. PBSD 5778'  
Top Perf: Morrow 5468'-5648'

#### Recommended Revised Procedure 4/3/2019

1. MIRUPU, POOH with rods, pump and tbg..
2. **Bottom Plug:** RIH w/5.5" CIBP and set at ~5418' (~50' above top perf) and cap with 100' of 15.3# Class "C" cement. Fill 5.5" casing w/9.3# mud as required from ~5318' to surface. POOH with tbg.. WOC-Tag TOC ~5318' or higher.
3. **300' Stub Plug:** Weld on 5.5" casing, free point and cut 5.5" casing at ~4000' (TOC). POOH laying down 5.5" casing. RIH and spot 15.3# Class "C" cement 100' in and 200' out (4100'-3900') of cut 5.5' casing. WOC.
4. **Surface Shoe (1562') Plug:** Spot a 300' surfaces shoe plug from 1662' to 1362' with 15.3# Class "C" cement. WOC-Tag cmt. at 1362' or higher.
5. **BTW (?) Plug:** Spot BTW (?) 15.3# Class "C" cement plug from 100' below to surface.
6. Tag and Top off with cement, and cap.

## GENERAL CONDITIONS OF APPROVAL

1. At least three work days prior to operations (no voice mail or fax accepted, person to person contact only Monday-Friday) notify BLM Inspection and Enforcement on call 405-245-5048 so that a representative of this office may be present to witness the operations.
2. Cement slurry shall be Class "A" (1.18 cf/sx), Class "C" (1.32 cf/sx), Class "G" (1.15cf/sx), or Class "H" (1.06 cf/sx). Cement retarders or accelerators shall be used if necessary.
3. Treatable water shall be protected from 100' below the base of the treatable water table to surface. Operator is responsible for contacting the Oklahoma Corporation Commission for the base of treatable water depth.
4. Mud: Each of the intervals between plugs shall be filled with 9.3#/gal drilling mud or mud of sufficient mud weight to stabilize the well bore.
5. Prior to perforating any casing string, adequate BOPs, lubricators, and controls shall be installed and function tested.
6. It shall be left to the discretion of the BLM representative on location while plugging as to whether or not any additional cement plugs shall need to be tagged or pressure tested.
7. Surface Plug: A cement plug of at least 50' shall be placed across all annuluses.
8. Surface Cap: The casing will be cut off a minimum of 3' below ground level and the well bore capped with a ¼ inch thick metal plate. The plate shall contain the following inscription information: legal description, well number, lease number, API no., and date. The plate shall be welded in place. A weep hole will be left in the plate.
9. Note: The date inscribed on plate shall be the date well was plugged and abandoned and shall be reported on the 3160-5 sundry form.
10. Surface Restoration: Flat tanks or frac tanks, you are required to empty the tanks by tank truck and waste to be disposed in an authorized facility. Any excess drilling mud shall be disposed of in an authorized facility, reused at a well currently drilling, or hauled to a mud company central facility for reconditioning/reuse. Any cellar shall be filled with soil to ground level.
11. Surface reclamation: The surface of the lands disturbed in connection with the conduct of operations shall be reclaimed in accordance with the previously approved reclamation plan in the APD. Surface reclamation should be coordinated with the Bureau of Land Management Multi-Resources, 201 Stephenson Parkway, Suite 1200, Norman, OK. 73072, telephone (405) 579-7100.
12. Regulations require that an original and four copies of the Sundry Notice (Form 3160-5, enclosed) be submitted within thirty (30) days after completion of operations. Summarize operations performed, including all pertinent dates and results of operations.

**BLM Contact Information:**

<i>Inspections &amp; Enforcement:</i>	<i>Mr. Zach Lawrence</i>	<i>405-579-7158 (office) 405-818-3288 (cell)</i>	<i>zlawrence@blm.gov</i>
	<i>On Call Line</i>	<i>1-405-245-5048</i>	
<i>Petroleum Engineer:</i>	<i>Mr. Steven Bleem</i>	<i>(405)579-7138 (office)</i>	<i>sbleem@blm.gov</i>

The plugging procedures and the conditions for approval have been reviewed and approved 4-3-2019 for implementation by Steven Bleem Petroleum Engineers and are subject to the conditions of approval. Please contact the Inspection and Enforcement on call line 405-245-5048 seventy two hours before rigging up on the well to schedule a field inspector to be on location to witness the plugging operations and assure the subject well is plugged in accordance to Federal Rules and Regulations.



Steven Bleem  
April 3, 2019

# MERIT ENERGY COMPANY

## WELLBORE DIAGRAM

LEASE & WELL NO.	<u>USA AD2</u>	FORMER NAME	<u>N/A</u>
FIELD NAME	<u>Stirrup</u>	COUNTY & STATE	<u>Morton, KS</u>
LOCATION	<u>11 - 33S - 40W</u>	API NO.	<u>151292123000</u>
		WBS DATE	<u>3/12/2019 LG</u>

### SURFACE CASING

SIZE	<u>8 5/8"</u>	WEIGHT	<u>24 #</u>	DEPTH	<u>1562'</u>
GRADE	<u>                    </u>	SX. CMT.	<u>785 sx</u>	TOC	<u>surface</u>

### PRODUCTION CASING

SIZE	<u>5.5"</u>	WEIGHT	<u>15.5#</u>	DEPTH	<u>5832'</u>
GRADE	<u>                    </u>	SX. CMT.	<u>235 sx</u>	TOC	<u>                    </u>

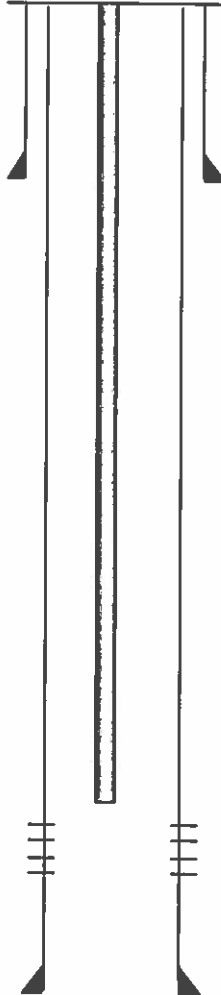
PBTD@	<u>5778'</u>
TD@	<u>5832'</u>

### TUBING

174 - 2 7/8" tbg  
3' TA  
7 - 2 7/8" tbg  
SN @ 5662  
10' 2-7/8" MA

### Rod String

1 1/4" x 22' PR w/ 12' PRL  
4', 8' - 7/8" pny  
78 - 7/8" rods  
141 - 3/4" rods  
6 - 1 1/2" K Bars  
2 1/2" x 1 1/2" x 18' RWBC  
12" strainer nipple



U. Morrow  
5468 - 5490  
5626-5648



# MERIT ENERGY COMPANY

## PROPOSED WELLBORE DIAGRAM

LEASE & WELL NO.	USA AD2	FORMER NAME	N/A
FIELD NAME	Stirrup	COUNTY & STATE	Morton, KS
LOCATION	11 - 33S - 40W	API NO.	151292123000
		WBS DATE	3/27/2019 LG

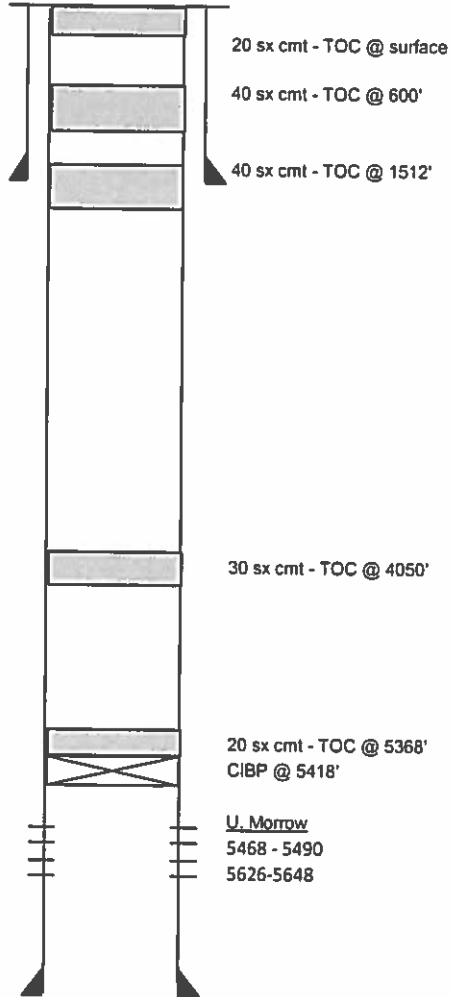
**SURFACE CASING**

SIZE	8 5/8"	WEIGHT	24 #	DEPTH	1562'
GRADE		SX. CMT.	785 sx	TOC	surface

**PRODUCTION CASING**

SIZE	5.5"	WEIGHT	15.5#	DEPTH	5832'
GRADE		SX. CMT.	235 sx	TOC	4000'

PBTD@	surface
TD@	5832'



*Plugging Procedures for:*

Merit Energy Company  
USA AD2  
Sec 11-T33S-R40W  
Morton Co., KS  
API# 15-129-21230

MIRU. Check pressures on casing and tubing. Ensure 0 psi, bleed off, or kill well if necessary.

Dig around wellhead, remove big section and install BOP.

TOOH w/ rod string (1 ¼" x 22' PR, w/12' PRL; (4' & 8') 7/8" pny; (78) 7/8" rods; (141) ¾" rods; (6) 1 ½" K Bars; 2 ½" x 1 ¼" x 18' RWBC; 12" strainer nipple.

TOOH w/ tubing string (174 jts 2 7/8"; 3' TA; 7 jts. of 2 7/8" tubing, SN {5662'}; 10' MA) 5663' OA

Pump 17 bbls mud down hole.

TIH w/ 5 1/2" CIBP and set @ 5418', spotting 20 sx cement on top.

POOH and rig up WL to cut pipe. Cut pipe at 4000'.

Weld on ext to 5 ½" and POOH w/ 4000' (casing crew) of casing laying down.

Spot 30 sx cement from 3950' to 4050'.

PU to 1612', circ 4 hrs and spot 40 sx cmt. from 1512' to 1612'.

PU to 500', circulate and WOC 4 hrs.

Spot 40 sx cement from 500' to 600'

PU to 35' and circulate 4 hrs, to WOC.

Spot 20 sx cement from 34' to surface.

Weld on dated ID plate.

Cover up hole, pull up anchors, clean up location. Move rig and equipment off location.

**Merit Energy Company  
USA AD2  
Sec 11-T33S-R40W  
Morton Co., KS  
API# 15-129-21230**

**Reclamation Procedure:**

**All equipment (tank batteries, pumping units, metering houses, etc.) will be removed from location.**

**All disturbed areas will have caliche/gravel/cement removed.**

**All applicable slopes will be recontoured to original conditions and entire disturbed areas will be backfilled with topsoil.**

**The disturbed area will be landscaped and seeded with the requirements provided by the surface owner, in order to revegetate location to native species.**

**Revisions to Operator-Submitted EC Data for Sundry Notice #459562**

	<b>Operator Submitted</b>	<b>BLM Revised (AFMSS)</b>
Sundry Type:	ABD NOI	ABD NOI
Lease:	KSNM67927	KSNM67927
Agreement:		
Operator:	MERIT ENERGY COMPANY 13727 NOEL ROAD SUITE 1200 DALLAS, TX 75240 Ph: 972-628-1660	MERIT ENERGY COMPANY 13727 NOEL RD STE 500 DALLAS, TX 75240 Ph: 972.628.1546
Admin Contact:	KATHERINE A MCCLURKAN REGULATORY ANALYST E-Mail: kathy.mcclurkan@meritenergy.com Cell: 972-628-1660 Ph: 972-628-1660 Fx: 972-628-1690	KATHERINE A MCCLURKAN REGULATORY ANALYST E-Mail: kathy.mcclurkan@meritenergy.com Cell: 972-628-1660 Ph: 972-628-1660 Fx: 972-628-1690
Tech Contact:	KATHERINE A MCCLURKAN REGULATORY ANALYST E-Mail: kathy.mcclurkan@meritenergy.com Cell: 972-628-1660 Ph: 972-628-1660 Fx: 972-628-1690	KATHERINE A MCCLURKAN REGULATORY ANALYST E-Mail: kathy.mcclurkan@meritenergy.com Cell: 972-628-1660 Ph: 972-628-1660 Fx: 972-628-1690
Location:		
State:	KS	KS
County:	MORTON	MORTON
Field/Pool:	STIRRUP	STIRRUP
Well/Facility:	USA AD 2 Sec 11 T33S R40W SWSW 660FNL 660FEL 37.187115 N Lat, 101.643719 W Lon	USA AD 2 Sec 11 T33S R40W SWSW 660FSL 660FWL 37.187110 N Lat, 101.643750 W Lon

---



Conservation Division  
266 N. Main St., Ste. 220  
Wichita, KS 67202-1513

Phone: 316-337-6200  
Fax: 346-337-6211  
<http://kcc.ks.gov/>

Dwight D. Keen, Chair  
Shari Feist Albrecht, Commissioner  
Jay Scott Emler, Commissioner

Laura Kelly, Governor

April 04, 2019

Katherine McClurkan  
Merit Energy Company, LLC  
13727 Noel Road, Suite 1200  
Dallas, TX 75240

Re: Plugging Application  
API 15-129-21230-00-01  
USA AD 2  
SW/4 Sec.11-33S-40W  
Morton County, Kansas

Dear Katherine McClurkan:

The Conservation Division has received your Well Plugging Application (CP-1).

**Under K.A.R. 82-3-113(b)(2), you must notify DISTRICT 1 of your proposed plugging plan at least 5 days before plugging the well.** DISTRICT 1's phone number is (620) 682-7933. Failure to notify DISTRICT 1, or failure to file a Well Plugging Record (CP-4) after the well is plugged will result in a penalty recommendation.

**Under K.A.R. 82-3-600, you must file an Application for Surface Pit (CDP-1) if you wish to use a workover pit while plugging the well.** Failure to timely file a CDP-1, failure to timely remove fluids, or failure to timely file Closure of Surface Pit (CDP-4) or Waste Transfer (CDP-5) forms will result in a penalty recommendation.

This receipt does NOT constitute authorization to plug this well if you do not otherwise have the legal right to do so.

This receipt is VOID after October 01, 2019. If the well is not plugged by then, you will have to submit a new CP-1 if you wish to plug the well.

**The October 01, 2019 deadline does NOT override any compliance deadline given to you by Legal, District, or other Commission Staff.** Failure to comply with any given deadline will still result in the Commission assessing penalties, or taking other legal action.

Sincerely,  
Production Department Supervisor

cc: DISTRICT 1