

**WELL BORE DIAGRAM**

Date: 10/2/2019 GR

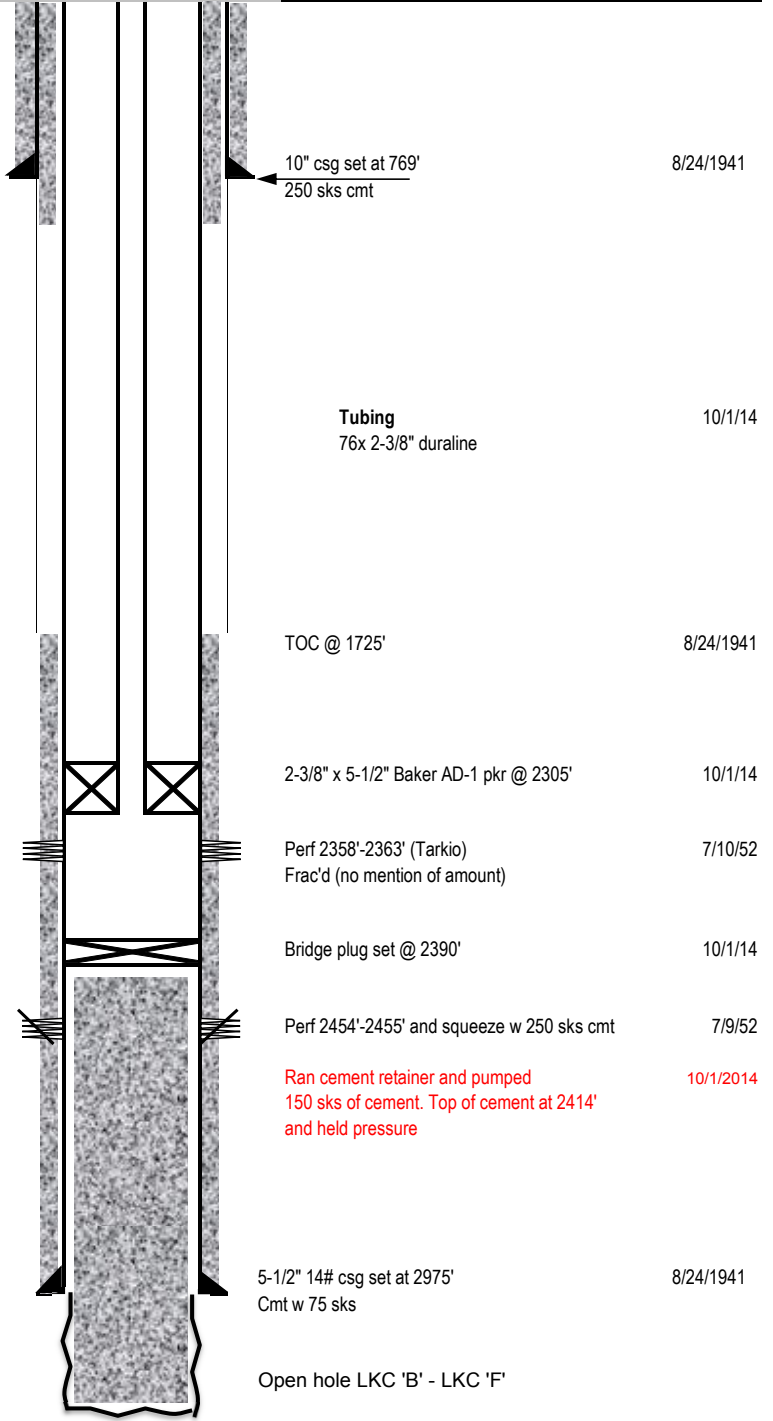
WELL <b>Box J #6</b>	FIELD <b>Hall Gurney</b>	CO/ST <b>Russell County, KS</b>
<input checked="" type="checkbox"/> PRESENT COMPLETION	<input type="checkbox"/> RECOMMENDED COMPLETION	API # 15-167-06058
<b>PERMANENT WELL BORE DATA</b>		<b>DATA ON THIS COMPLETION</b>

Spud: 7/20/1941  
 Completed: 8/24/1941  
 Elevation: 1803' DF

In 1968 they ran a 1" pipe b/w the 10" and 5-1/2" and circulated 350 sks of cement to surface

Well was converted to an injector on 1/8/1968

There is mention that the Tarkio is open from 2365'-2369' 2347'-2353', & 2337' & 2343'. It isn't clear what is still open or closed, other than the Tarkio is open and has been frac'd



PBTD: 2390' (2014)  
 TD: 3018' (1941)