

WATER WELL RECORD (WWC-5)

KOLAR DOC ID _____ WELL ID _____

LOCATION OF WATER WELL

Latitude		Longitude		Section		Township		Range		E W	Fraction	¼	¼	¼
Datum		Elevation		County										

WATER WELL OWNER

Name	
Business	
Address	
Well location at owner's address	

WELL WATER USE

--

WELL INFORMATION

Depth of well: _____ ft.
Dry well
Static water level in well: _____ ft. measured below land surface on (mm/dd/yy): _____
measured above land surface on (mm/dd/yy): _____

PERMIT & ID NUMBERS (AS REQUIRED)

DWR Application No.: _____
KDHE / EPA Project Code: _____
Site Name: _____
KDHE UIC Class V Form Completed: Yes No
County Permit: Yes No Permit ID: _____
Lease Name & Well #: _____
of boreholes: _____ # of dewatering wells: _____

CASING

Type of blank casing used: _____
Casing type details: _____
Blank casing diameter: _____ inches
Was casing removed? Yes No
Top of casing is currently _____ feet _____ ground
Reason required if top of casing is now less than 5 feet below ground surface for a hand dug well or less than 3 feet below ground surface for all other types of wells.

GROUT & PLUGGING MATERIALS

Grout or Plugging interval (ft.)		Material	Description
From	To		

COMMENTS

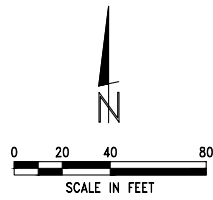
--

CONTRACTOR'S OR LANDOWNERS CERTIFICATION

<p>This water well was plugged pursuant to the stated water well contractor's license and was completed on _____. I certify that this record is true to the best of my knowledge and belief. This water well record was completed on _____ under the business name of _____, Kansas Water Well Contractor's License No. _____ under the authority of the designated person as defined in K.A.R. 28-30-2(j) and signed and certified by the electronic signature of the designated person at its submittal _____.</p>
--

Send one copy to WATER WELL OWNER and retain one for your records.

PLOTTED: 4/8/2024 1:14 PM
 G:\Projects\257\257-P2-01\Plugged Well Map\Figure 1.dwg
 SAVED: 4/8/2024 1:11 PM
 Brian S. Fahrenbruch



CB. & Q. RAILROAD

JACKSON ST.

LEGEND

- ◆ = MONITORING WELL (2")
- = SVE WELL (4")
- = LEAK DETECTION WELL (4")
CONNECTED TO SVE SYSTEM
- ▲ = AS WELL (2")
- ☆ = PLUGGED WELL
- x— = FENCE
- - - = APPROXIMATE ROW LINES

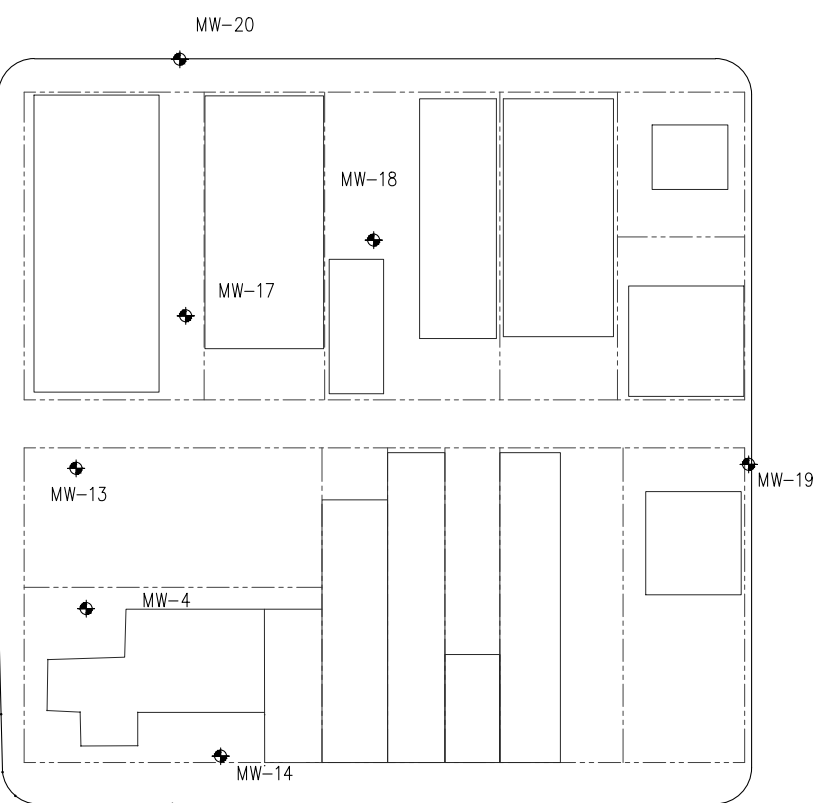
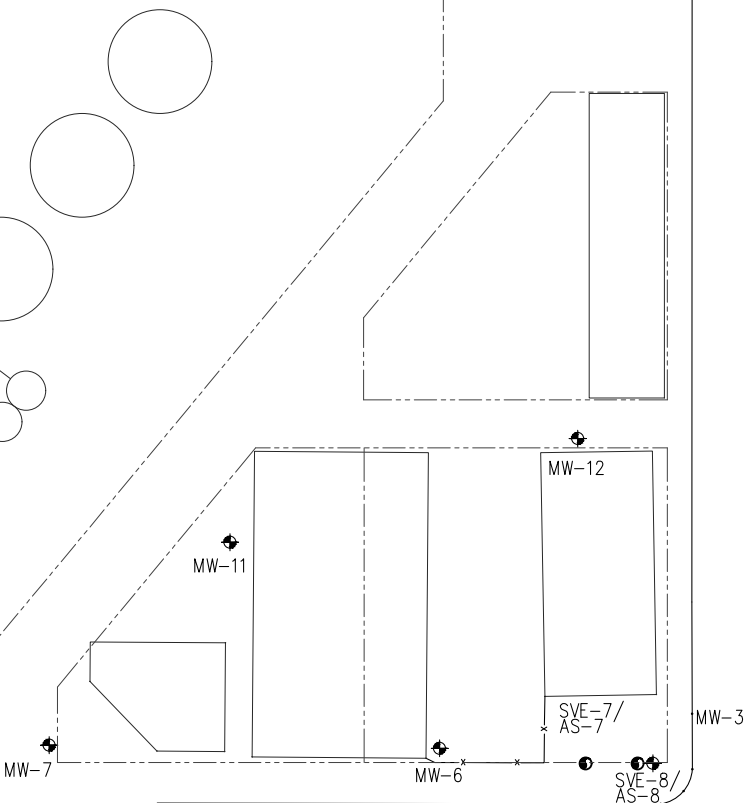
REVISIONS	BY

MILCO
Environmental
Services, Inc.
 Kearney, NE (308) 237-5923
 McCook, NE (308) 345-4741

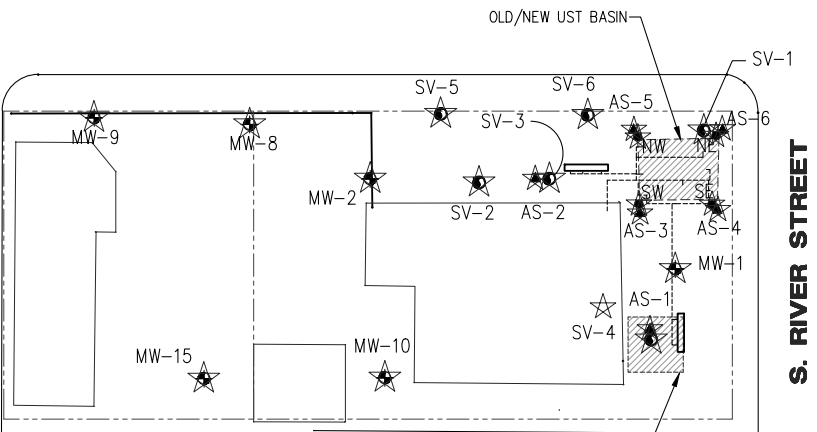
ST. FRANCIS MERC. EQUITY EXCHANGE
SITE MAP
ST. FRANCIS, KANSAS U6-012-13119

SCALE:	1"=80
PROJECT NO.	M257-P2-01
DATE:	APRIL, 2024
FIELD BOOK	M&A DWG NO.
DRAWN BY:	APR'VD BY:
BSF	
SHEET	FIGURE 1

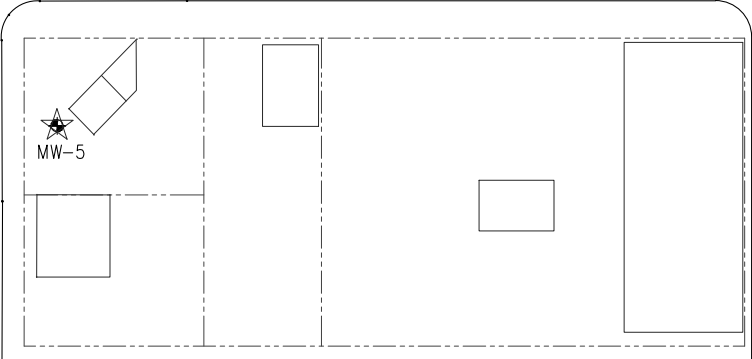
This document, and the ideas and designs incorporated herein, as an instrument of professional service, is the property of MILCO and is not to be used in whole or in part, for any other project without the written authorization of © 2009 MILCO.



WASHINGTON ST.



S. RIVER STREET



S. VALLEY STREET

WEBSTER ST.

S. ADAMS STREET