

WATER WELL RECORD (WWC-5)

KOLAR DOC ID _____ WELL ID _____
 Original Record Correction Change in Well Use

LOCATION OF WATER WELL

Latitude		Longitude		Section		Township		Range		E W	Fraction	¼	¼	¼
Datum		Elevation		County										

WATER WELL OWNER

Name	
Business	
Address	
Well location at owner's address	

WELL WATER USE

COMPLETION

Depth of completed well: _____ ft.
 Depth(s) groundwater encountered:
 (1) _____ ft.; (2) _____ ft.;
 (3) _____ ft.; (4) dry well

Static water level in well: _____ ft.
 measured below land surface on (mm/dd/yy): _____
 measured above land surface on (mm/dd/yy): _____

Estimated yield: _____ gpm
 Water level was: _____ ft. after _____ hours
 pumping _____ gpm
 Pump installed? Yes No

Water well disinfected? Yes No
 Date disinfected (mm/dd/yy): _____

Aquifer, if known: _____

NEAREST SOURCE OF POTENTIAL CONTAMINATION

Source: _____
 Distance from well: _____ Direction from well: _____
 Source description: _____

Source: _____
 Distance from well: _____ Direction from well: _____
 Source description: _____

No potential source of contamination within 100 feet.

CONSTRUCTION

Borehole interval: from _____ to _____ ft.	Borehole diameter: _____ in.
from _____ to _____ ft.	_____ in.
Casing height above land surface: _____ in. If casing height is less than 12 in. has a variance been approved? * Yes No *variance not required for monitoring or environmental remediation wells	
Casing type: _____	
Blank casing interval: _____ ft. to _____ ft.	
Blank casing diameter: _____ in.	
Casing joints: _____	
Weight: _____ lbs/ft.	
Wall thickness or gauge no.: _____	
Blank casing interval: _____ ft. to _____ ft.	
Blank casing diameter: _____ in.	
Casing joints: _____	
Weight: _____ lbs/ft.	
Wall thickness or gauge no.: _____	
Grout interval: _____ ft. to _____ ft.	
Grout material: _____	
Grout interval: _____ ft. to _____ ft.	
Grout material: _____	
Screen / perforation material: _____	
Screen / perforation openings: _____	
Screen / perforation intervals: From _____ ft. to _____ ft. Slot size _____ unit _____	
From _____ ft. to _____ ft. Slot size _____ unit _____	
Gravel pack intervals: Gravel pack not used: Gravel size _____ in. From _____ ft. to _____ ft.	
Gravel pack not used: Gravel size _____ in. From _____ ft. to _____ ft.	

PERMIT & ID NUMBERS (AS REQUIRED)

DWR Application No.: _____
 KDHE / EPA Project Code: _____
 Site Name: _____
 KDHE UIC Class V Form Completed: Yes No
 County Permit: Yes No Permit ID: _____
 Lease Name & Well #: _____
 # of boreholes: _____ # of dewatering wells: _____

LITHOLOGIC LOG

FROM	TO	LITHOLOGY INTERVALS

COMMENTS

CONTRACTOR'S OR LANDOWNERS CERTIFICATION

This water well was constructed reconstructed pursuant to the stated water well contractor's license and was completed on _____. I certify that this record is true to the best of my knowledge and belief. This water well record was completed on _____ under the business name of _____, Kansas Water Well Contractor's License No. _____ under the authority of the designated person as defined in K.A.R. 28-30-2(j) and signed and certified by the electronic signature of the designated person at its submittal: _____.

Send one copy to WATER WELL OWNER and retain one for your records. Fee of \$5.00 for each constructed well.

Form	WWC5.2 - Water Well Record
Doc ID	1777211
Well Owner	Kaw Valley Drainage Dist.
Contractor	Griffin Dewatering, LLC

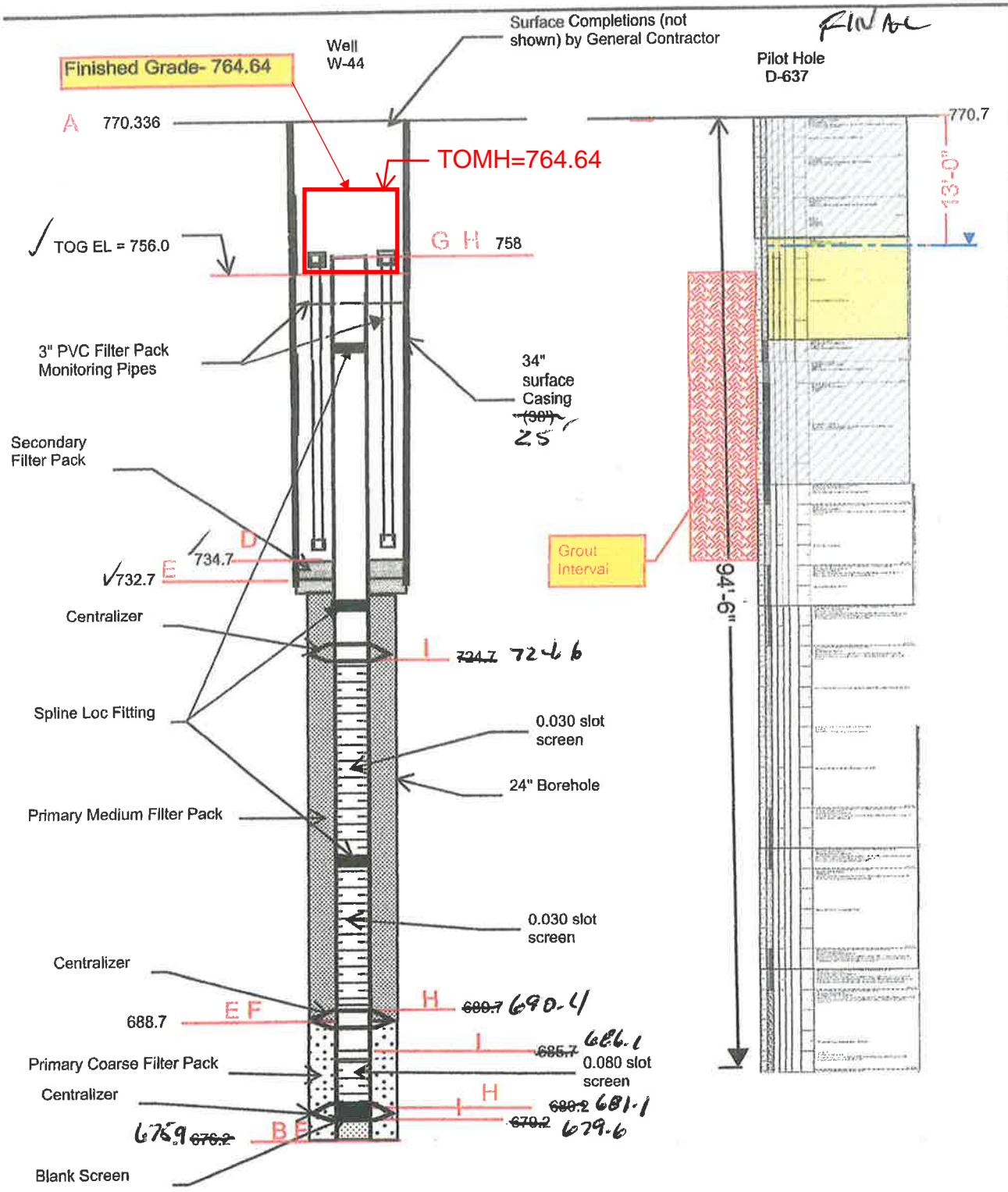
Lithology

From	To	Lithology Intervals
0	9	clay, very fine, silty, light, grayish, gray, dry, soft, not cemented
9	19	clay, very fine, silty, light, grayish, gray, dry, soft, not cemented
19	22	clay, very fine, silty, light, grayish, gray, dry, stiff, not cemented
22	24	sand, fine to medium, sandy, light, brownish, brown, dry, firm, not cemented
24	31	sand, fine, silty, light, brownish, brown, dry, firm, not cemented
31	40	sand, fine to medium, silty, light, brownish, brown, dry, firm, not cemented
40	42	sand, medium to coarse, clayey, dark, brownish, brown, wet, firm, not cemented
42	45	sand, fine to coarse, clayey, dark, brownish, brown, saturated, firm, not cemented
45	67	sand, fine to coarse, gravelly, dark, brownish, brown, saturated, hard, not cemented

Form	WWC5.2 - Water Well Record
Doc ID	1777211
Well Owner	Kaw Valley Drainage Dist.
Contractor	Griffin Dewatering, LLC

Lithology

From	To	Lithology Intervals
67	80	sand & gravel, fine to coarse, gravelly, dark, brownish, brown, saturated, dense, not cemented



- NOTES:
1. ALL PIPE IS 12" - 304 STAINLESS STEEL
 2. CASING IS SCH. 40
 3. SCREEN SLOT IS AS SHOWN
 4. DRAWING IS N.T.S.

COUPLINGS WILL BE SPLINE LOC
 ALL CONNECTIONS WELDED AT
 FACTORY

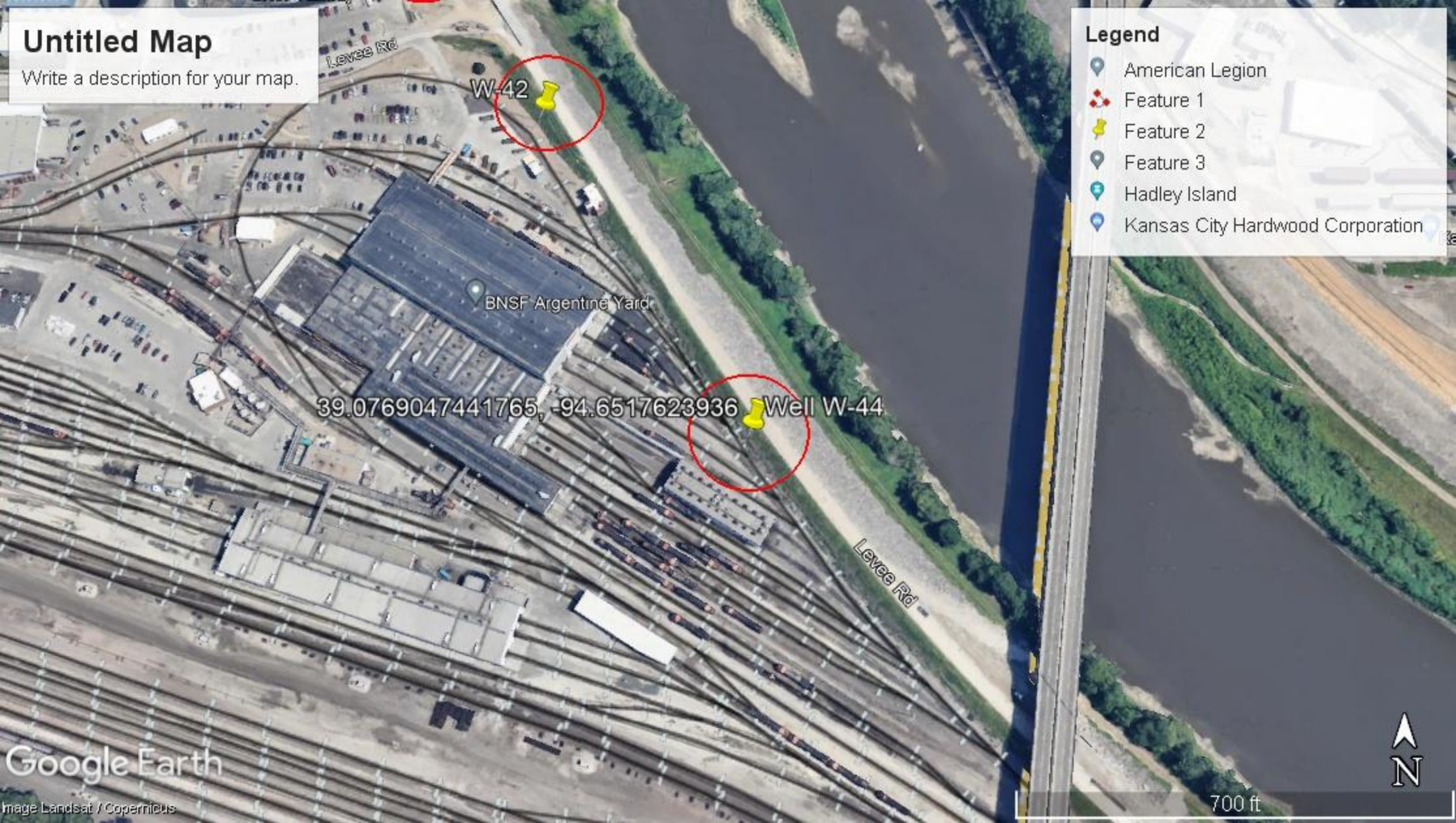
KC Relief Wells ARG Unit W-44	
Drawn By: SAS	Date: 1/05/2023
Figure 44	

Untitled Map

Write a description for your map.

Legend

-  American Legion
-  Feature 1
-  Feature 2
-  Feature 3
-  Hadley Island
-  Kansas City Hardwood Corporation



39.0769047441765, -94.6517623936 Well W-44

W-42

BNSF Argentine Yard

Levee Rd

Levee Rd

Google Earth

Image Landsat / Copernicus



700 ft

