

**WATER WELL RECORD (WWC-5)**

KOLAR DOC ID \_\_\_\_\_ WELL ID \_\_\_\_\_  
 Original Record      Correction      Change in Well Use

**LOCATION OF WATER WELL**

Latitude		Longitude		Section		Township		Range		E W	Fraction	¼	¼	¼
Datum		Elevation		County										

**WATER WELL OWNER**

Name	
Business	
Address	
Well location  at owner's address	

**WELL WATER USE**

--

**COMPLETION**

Depth of completed well: _____ ft.
Depth(s) groundwater encountered: (1) _____ ft.; (2) _____ ft.; (3) _____ ft.; (4) dry well
Static water level in well: _____ ft. measured below land surface on (mm/dd/yy): _____ measured above land surface on (mm/dd/yy): _____
Estimated yield: _____ gpm
Water level was: _____ ft. after _____ hours pumping _____ gpm
Pump installed?    Yes    No
Water well disinfected?    Yes    No
Date disinfected (mm/dd/yy): _____
Aquifer, if known:

**NEAREST SOURCE OF POTENTIAL CONTAMINATION**

Source: _____
Distance from well: _____      Direction from well: _____
Source description: _____
Source: _____
Distance from well: _____      Direction from well: _____
Source description: _____
No potential source of contamination within 100 feet.

**CONSTRUCTION**

Borehole interval: from _____ to _____ ft.	Borehole diameter: _____ in.
from _____ to _____ ft.	_____ in.
Casing height above land surface: _____ in.	
If casing height is less than 12 in. has a variance been approved?*    Yes    No	
*variance not required for monitoring or environmental remediation wells	
Casing type: _____	
Blank casing interval: _____ ft. to _____ ft.	
Blank casing diameter: _____ in.	
Casing joints: _____	
Weight: _____ lbs/ft.	
Wall thickness or gauge no.: _____	
Blank casing interval: _____ ft. to _____ ft.	
Blank casing diameter: _____ in.	
Casing joints: _____	
Weight: _____ lbs/ft.	
Wall thickness or gauge no.: _____	
Grout interval: _____ ft. to _____ ft.	
Grout material: _____	
Grout interval: _____ ft. to _____ ft.	
Grout material: _____	
Screen / perforation material: _____	
Screen / perforation openings: _____	
Screen / perforation intervals: From _____ ft. to _____ ft.	
Slot size _____ unit _____	
From _____ ft. to _____ ft.	
Slot size _____ unit _____	
Gravel pack intervals: Gravel pack not used:    Gravel size _____ in	
From _____ ft. to _____ ft.	
Gravel pack not used:    Gravel size _____ in	
From _____ ft. to _____ ft.	

**PERMIT & ID NUMBERS (AS REQUIRED)**

DWR Application No.: _____
KDHE / EPA Project Code: _____
Site Name: _____
KDHE UIC Class V Form Completed:    Yes    No
County Permit:    Yes    No    Permit ID: _____
Lease Name & Well #: _____
# of boreholes: _____    # of dewatering wells: _____

**LITHOLOGIC LOG**

FROM	TO	LITHOLOGY INTERVALS

**COMMENTS**

--

**CONTRACTOR'S OR LANDOWNERS CERTIFICATION**

This water well was    constructed    reconstructed    pursuant to the stated water well contractor's license and was completed on _____. I certify that this record is true to the best of my knowledge and belief. This water well record was completed on _____ under the business name of _____, Kansas Water Well Contractor's License No. _____ under the authority of the designated person as defined in K.A.R. 28-30-2(j) and signed and certified by the electronic signature of the designated person at its submittal: _____.
---

Send one copy to WATER WELL OWNER and retain one for your records. Fee of \$5.00 for each constructed well.

Form	WWC5.2 - Water Well Record
Doc ID	1770179
Well Owner	Kaw Valley Drainage District
Contractor	Griffin Dewatering, LLC

Lithology

From	To	Lithology Intervals
0	16	silt, very fine, clayey, light, brownish, brown, dry, loose, not cemented
16	18	clay, fine, silty, light, yellowish, gray, dry, firm, not cemented
18	21	sand, fine, silty, light, brownish, brown, dry, firm, not cemented
21	24.5	sand, fine, silty, light, brownish, brown, dry, firm, not cemented
24.5	27	sand, fine to medium, silty, light, brownish, brown, dry, hard, not cemented
27	32	sand, fine, light, brownish, brown, dry, hard, not cemented
32	34	sand, fine to medium, gravelly, dark, brownish, brown, dry, dense, not cemented
34	37	sand, fine to coarse, clayey, dark, brownish, brown, moist, hard, not cemented
37	41	sand, coarse, gravelly, dark, brownish, brown, wet, dense, not cemented
41	44	sand, fine to medium, dark, brownish, brown, saturated, dense, not cemented

Form	WWC5.2 - Water Well Record
Doc ID	1770179
Well Owner	Kaw Valley Drainage District
Contractor	Griffin Dewatering, LLC

Lithology

From	To	Lithology Intervals
44	51	clay, fine, sandy, dark, brownish, brown, saturated, dense, not cemented
51	55	sand, fine to coarse, dark, brownish, brown, saturated, dense, not cemented
55	62	sand & gravel, fine to coarse, gravelly, dark, brownish, brown, saturated, dense, not cemented
62	63.2	cobbles, coarse, gravelly, dark, brownish, brown, saturated, dense, not cemented

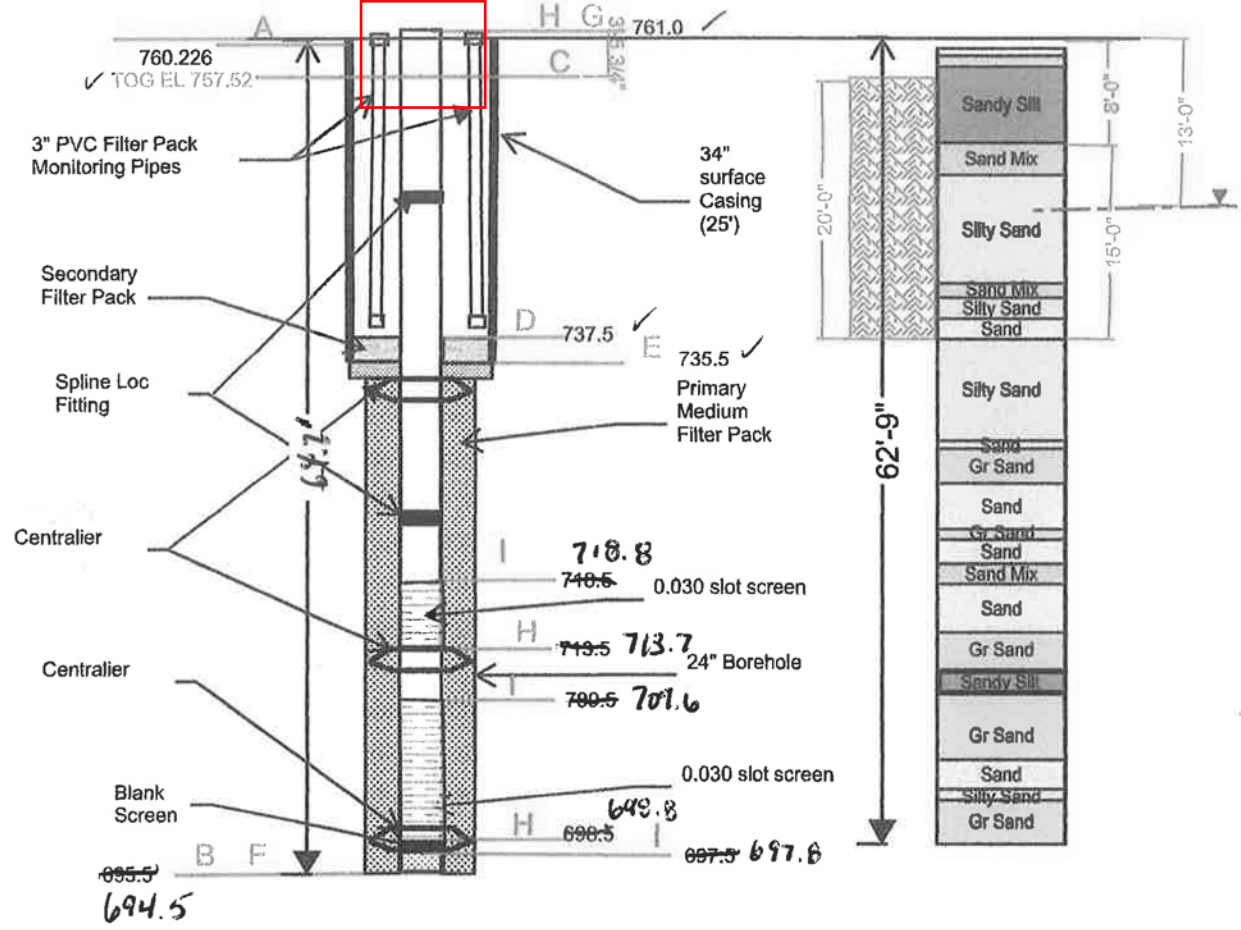
FINAL

Finished Grade-763.15

Well W-26

Pilot Hole CPT 617

Surface Completions (not shown) by General Contractor



- NOTES:
1. ALL PIPE IS 12" - 304 STAINLESS STEEL
  2. CASING IS SCH. 40
  3. SCREEN SLOT IS AS SHOWN
  4. DRAWING IS N.T.S.

COUPLINGS WILL BE SPLINE LOC  
ALL CONNECTIONS WELDED AT  
FACTORY

<b>KC Relief Wells</b> <b>ARG Unit</b> W-26	
Drawn By: SAS	Date: 121/22/2022
Figure 26 Rev. 1	

(NW) FL IN ■ 759.02

(SE) FL OUT ■ 759.02

W-26

TOP ELEV ■ 763.15

Top of Ground = 763.15

Top of Casing EL = 761.0

220

240

260

280



39.09559117798, -94.67754224550 We: W-26

Image Landsat / Copernicus

Google Earth

39°05'41.24" N 94°40'35.68" W elev 760 ft eye alt 3794 ft

1985