

WATER WELL RECORD (WWC-5)

KOLAR DOC ID _____ WELL ID _____
 Original Record Correction Change in Well Use

LOCATION OF WATER WELL

Latitude		Longitude		Section		Township		Range		E W	Fraction	¼	¼	¼
Datum		Elevation		County										

WATER WELL OWNER

Name	
Business	
Address	
Well location at owner's address	

WELL WATER USE

--

COMPLETION

Depth of completed well: _____ ft.
Depth(s) groundwater encountered: (1) _____ ft.; (2) _____ ft.; (3) _____ ft.; (4) dry well
Static water level in well: _____ ft. measured below land surface on (mm/dd/yy): _____ measured above land surface on (mm/dd/yy): _____
Estimated yield: _____ gpm
Water level was: _____ ft. after _____ hours pumping _____ gpm
Pump installed? Yes No
Water well disinfected? Yes No
Date disinfected (mm/dd/yy): _____
Aquifer, if known:

NEAREST SOURCE OF POTENTIAL CONTAMINATION

Source: _____
Distance from well: _____ Direction from well: _____
Source description: _____
Source: _____
Distance from well: _____ Direction from well: _____
Source description: _____
No potential source of contamination within 100 feet.

CONSTRUCTION

Borehole interval: from _____ to _____ ft.	Borehole diameter: _____ in.
from _____ to _____ ft.	_____ in.
Casing height above land surface: _____ in.	
If casing height is less than 12 in. has a variance been approved?* Yes No	
*variance not required for monitoring or environmental remediation wells	
Casing type: _____	
Blank casing interval: _____ ft. to _____ ft.	
Blank casing diameter: _____ in.	
Casing joints: _____	
Weight: _____ lbs/ft.	
Wall thickness or gauge no.: _____	
Blank casing interval: _____ ft. to _____ ft.	
Blank casing diameter: _____ in.	
Casing joints: _____	
Weight: _____ lbs/ft.	
Wall thickness or gauge no.: _____	
Grout interval: _____ ft. to _____ ft.	
Grout material: _____	
Grout interval: _____ ft. to _____ ft.	
Grout material: _____	
Screen / perforation material: _____	
Screen / perforation openings: _____	
Screen / perforation intervals: From _____ ft. to _____ ft.	
Slot size _____ unit _____	
From _____ ft. to _____ ft.	
Slot size _____ unit _____	
Gravel pack intervals: Gravel pack not used: Gravel size _____ in	
From _____ ft. to _____ ft.	
Gravel pack not used: Gravel size _____ in	
From _____ ft. to _____ ft.	

PERMIT & ID NUMBERS (AS REQUIRED)

DWR Application No.: _____
KDHE / EPA Project Code: _____
Site Name: _____
KDHE UIC Class V Form Completed: Yes No
County Permit: Yes No Permit ID: _____
Lease Name & Well #: _____
of boreholes: _____ # of dewatering wells: _____

LITHOLOGIC LOG

FROM	TO	LITHOLOGY INTERVALS

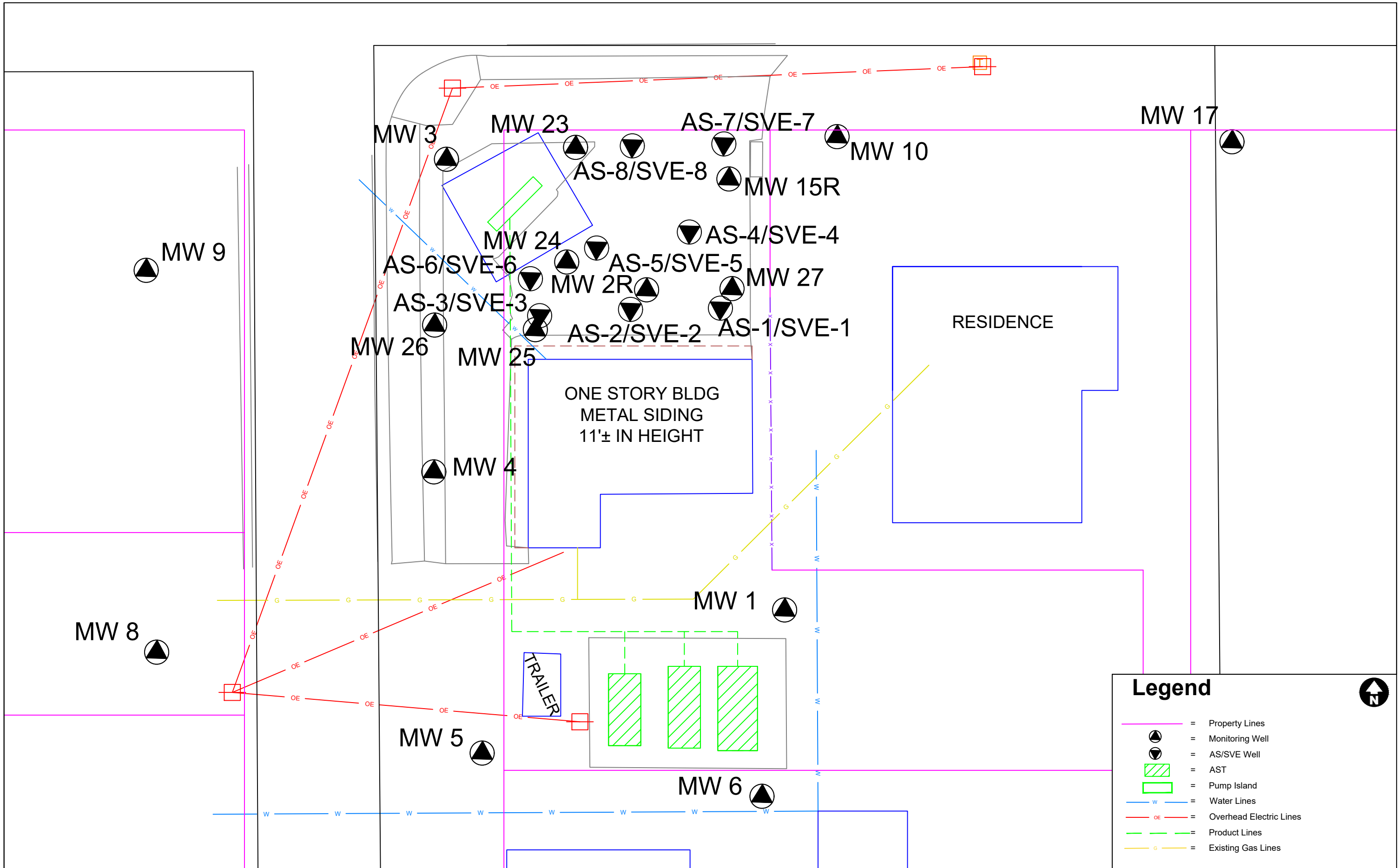
COMMENTS

--

CONTRACTOR'S OR LANDOWNERS CERTIFICATION

This water well was constructed reconstructed pursuant to the stated water well contractor's license and was completed on _____. I certify that this record is true to the best of my knowledge and belief. This water well record was completed on _____ under the business name of _____, Kansas Water Well Contractor's License No. _____ under the authority of the designated person as defined in K.A.R. 28-30-2(j) and signed and certified by the electronic signature of the designated person at its submittal: _____.

Send one copy to WATER WELL OWNER and retain one for your records. Fee of \$5.00 for each constructed well.



Legend

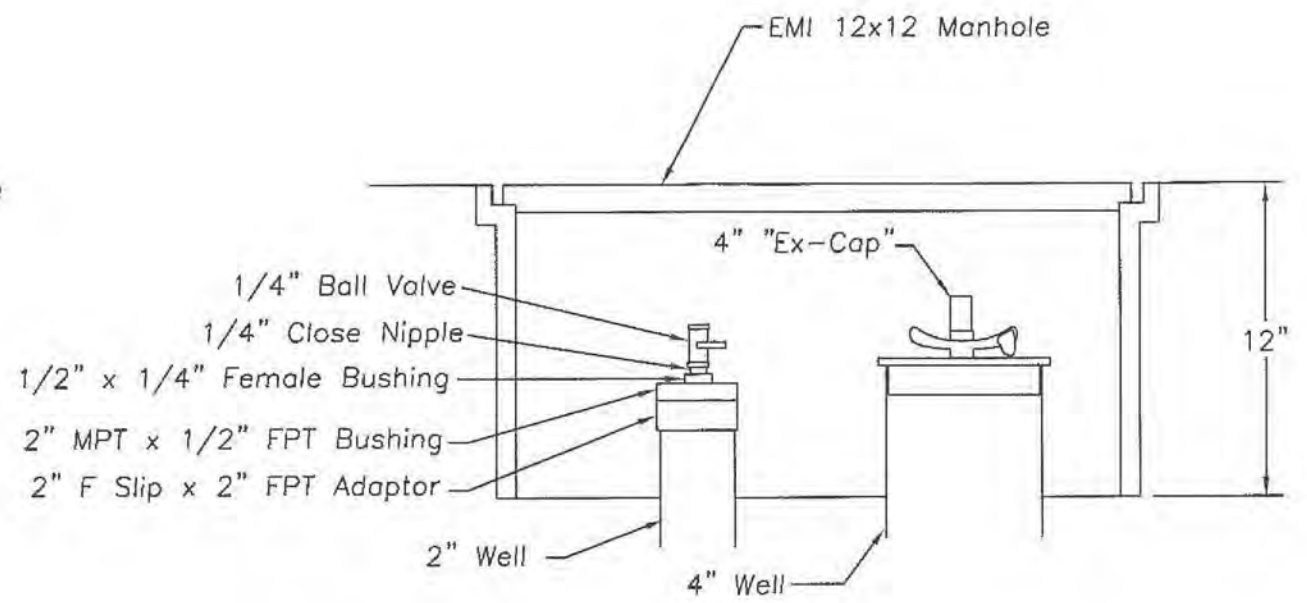
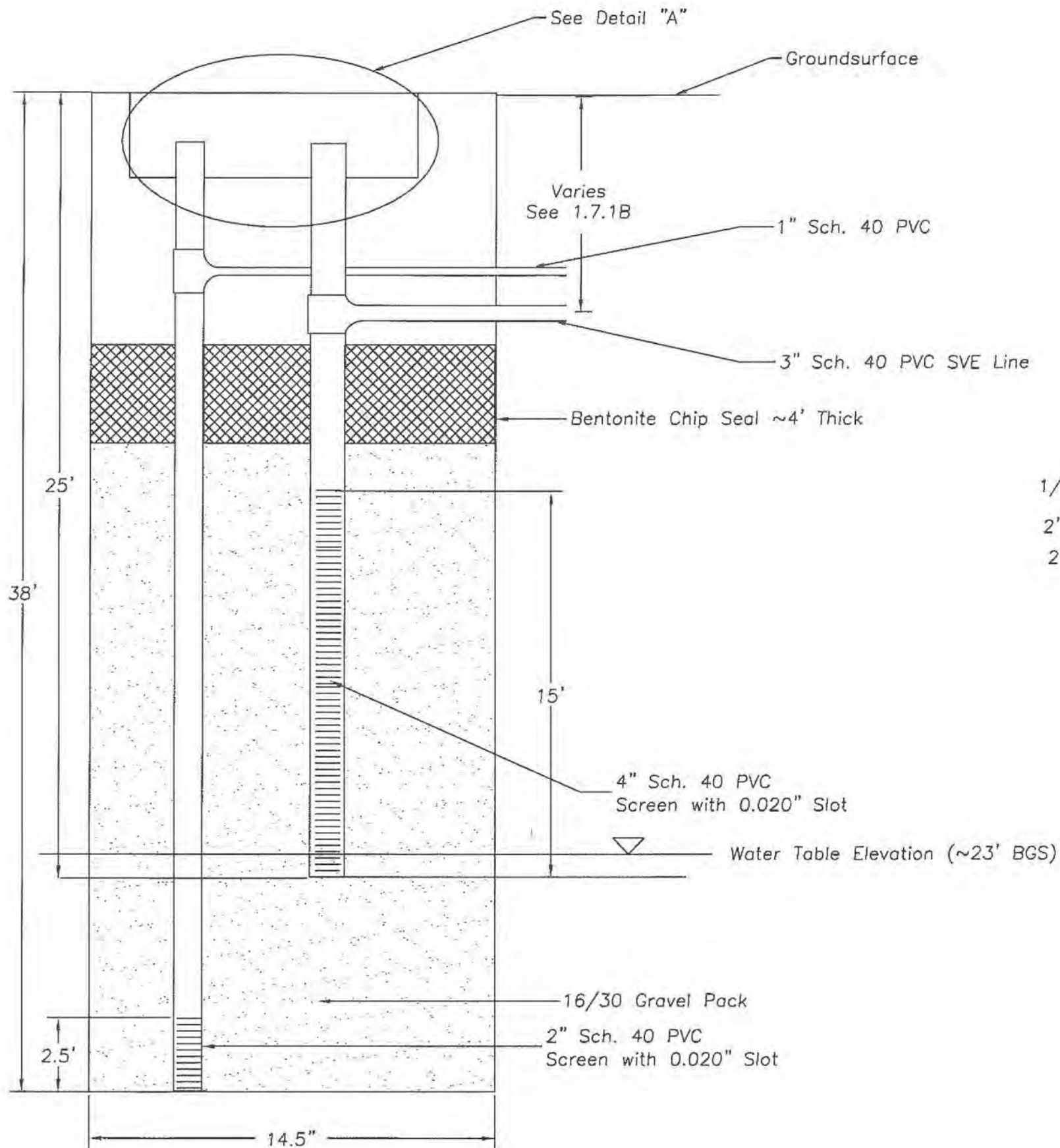
- = Property Lines
- = Monitoring Well
- = AS/SVE Well
- = AST
- = Pump Island
- = Water Lines
- = Overhead Electric Lines
- = Product Lines
- = Existing Gas Lines



FIGURE: 1B	FIGURE NAME: Site Base Map - Close Up
DATE: 03/19/2024	PROJECT NUMBER: 2074074
DRAWN BY: HS	PROJECT MANAGER: SGE

Kathy's Fuel
150 Washington Street
Clyde, Kansas
KDHE #:A5-015-40443





Detail "A"

Not to Scale

AIR SPARGE/ SOIL VAPOR EXTRACTION WELL SCHEMATIC AND WELL HEAD DETAILS
Kathy's Fuel, LLC Clyde, KS KDHE Project Code: A5-015-40443
Remedial Design Plan CGP Project #18839K
Prepared By: MK Date: 08-27-2019
Reviewed By: RH Date: 08-28-2019
Drawing 1.7.5A
CGP, Inc. PO Box 23, Wahoo, NE 68066

