

**WATER WELL RECORD (WWC-5)**

KOLAR DOC ID \_\_\_\_\_ WELL ID \_\_\_\_\_  
 Original Record      Correction      Change in Well Use

**LOCATION OF WATER WELL**

Latitude		Longitude		Section		Township		Range		E W	Fraction	¼	¼	¼
Datum		Elevation		County										

**WATER WELL OWNER**

Name	
Business	
Address	
Well location  at owner's address	

**WELL WATER USE**

--

**COMPLETION**

Depth of completed well: _____ ft.
Depth(s) groundwater encountered: (1) _____ ft.; (2) _____ ft.; (3) _____ ft.; (4) dry well
Static water level in well: _____ ft. measured below land surface on (mm/dd/yy): _____ measured above land surface on (mm/dd/yy): _____
Estimated yield: _____ gpm
Water level was: _____ ft. after _____ hours pumping _____ gpm
Pump installed?    Yes    No
Water well disinfected?    Yes    No
Date disinfected (mm/dd/yy): _____
Aquifer, if known:

**NEAREST SOURCE OF POTENTIAL CONTAMINATION**

Source: _____
Distance from well: _____      Direction from well: _____
Source description: _____
Source: _____
Distance from well: _____      Direction from well: _____
Source description: _____
No potential source of contamination within 100 feet.

**CONSTRUCTION**

Borehole interval: from _____ to _____ ft.	Borehole diameter: _____ in.
from _____ to _____ ft.	_____ in.
Casing height above land surface: _____ in.	
If casing height is less than 12 in. has a variance been approved?*    Yes    No	
*variance not required for monitoring or environmental remediation wells	
Casing type: _____	
Blank casing interval: _____ ft. to _____ ft.	
Blank casing diameter: _____ in.	
Casing joints: _____	
Weight: _____ lbs/ft.	
Wall thickness or gauge no.: _____	
Blank casing interval: _____ ft. to _____ ft.	
Blank casing diameter: _____ in.	
Casing joints: _____	
Weight: _____ lbs/ft.	
Wall thickness or gauge no.: _____	
Grout interval: _____ ft. to _____ ft.	
Grout material: _____	
Grout interval: _____ ft. to _____ ft.	
Grout material: _____	
Screen / perforation material: _____	
Screen / perforation openings: _____	
Screen / perforation intervals: From _____ ft. to _____ ft.	
Slot size _____ unit _____	
From _____ ft. to _____ ft.	
Slot size _____ unit _____	
Gravel pack intervals: Gravel pack not used:    Gravel size _____ in	
From _____ ft. to _____ ft.	
Gravel pack not used:    Gravel size _____ in	
From _____ ft. to _____ ft.	

**PERMIT & ID NUMBERS (AS REQUIRED)**

DWR Application No.: _____
KDHE / EPA Project Code: _____
Site Name: _____
KDHE UIC Class V Form Completed:    Yes    No
County Permit:    Yes    No    Permit ID: _____
Lease Name & Well #: _____
# of boreholes: _____    # of dewatering wells: _____

**LITHOLOGIC LOG**

FROM	TO	LITHOLOGY INTERVALS

**COMMENTS**

--

**CONTRACTOR'S OR LANDOWNERS CERTIFICATION**

This water well was    constructed    reconstructed    pursuant to the stated water well contractor's license and was completed on _____. I certify that this record is true to the best of my knowledge and belief. This water well record was completed on _____ under the business name of _____, Kansas Water Well Contractor's License No. _____ under the authority of the designated person as defined in K.A.R. 28-30-2(j) and signed and certified by the electronic signature of the designated person at its submittal: _____.
---

Send one copy to WATER WELL OWNER and retain one for your records. Fee of \$5.00 for each constructed well.

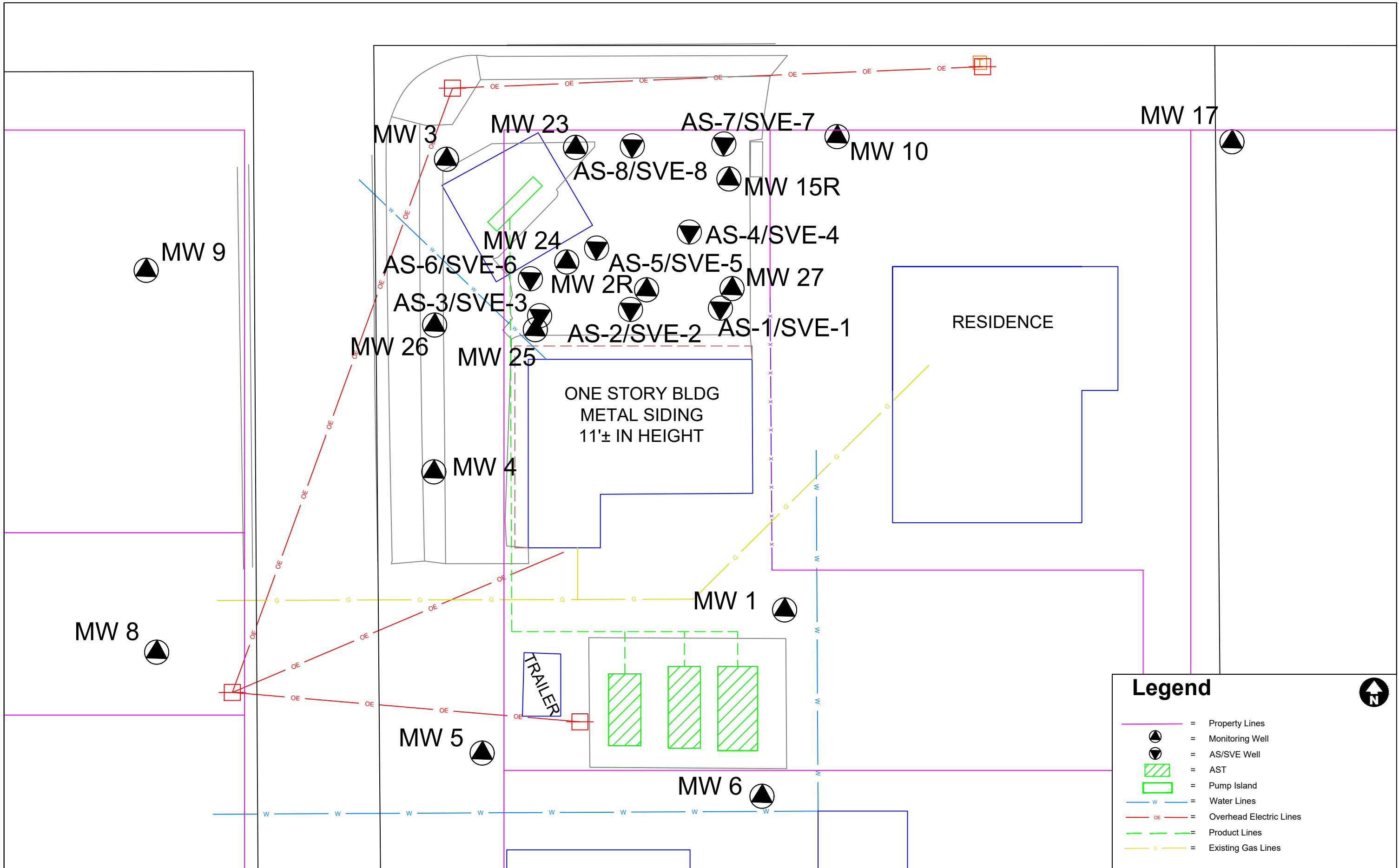
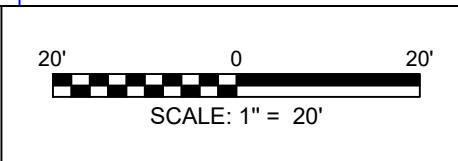


FIGURE: 1B  
 DATE: 03/19/2024  
 DRAWN BY: HS

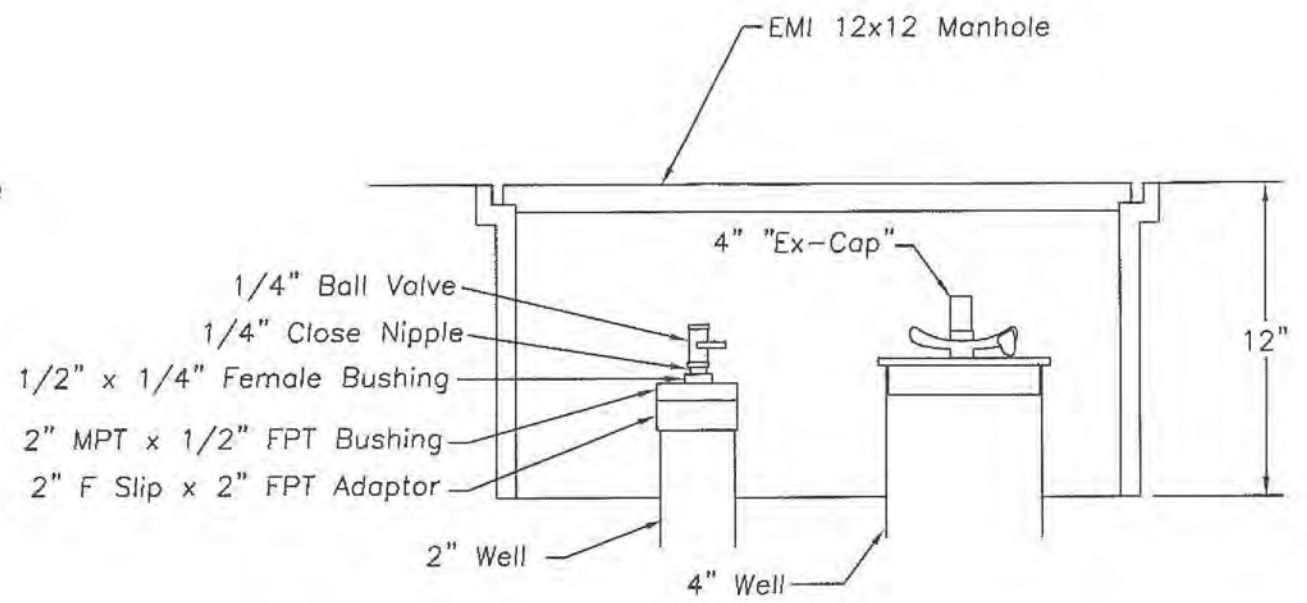
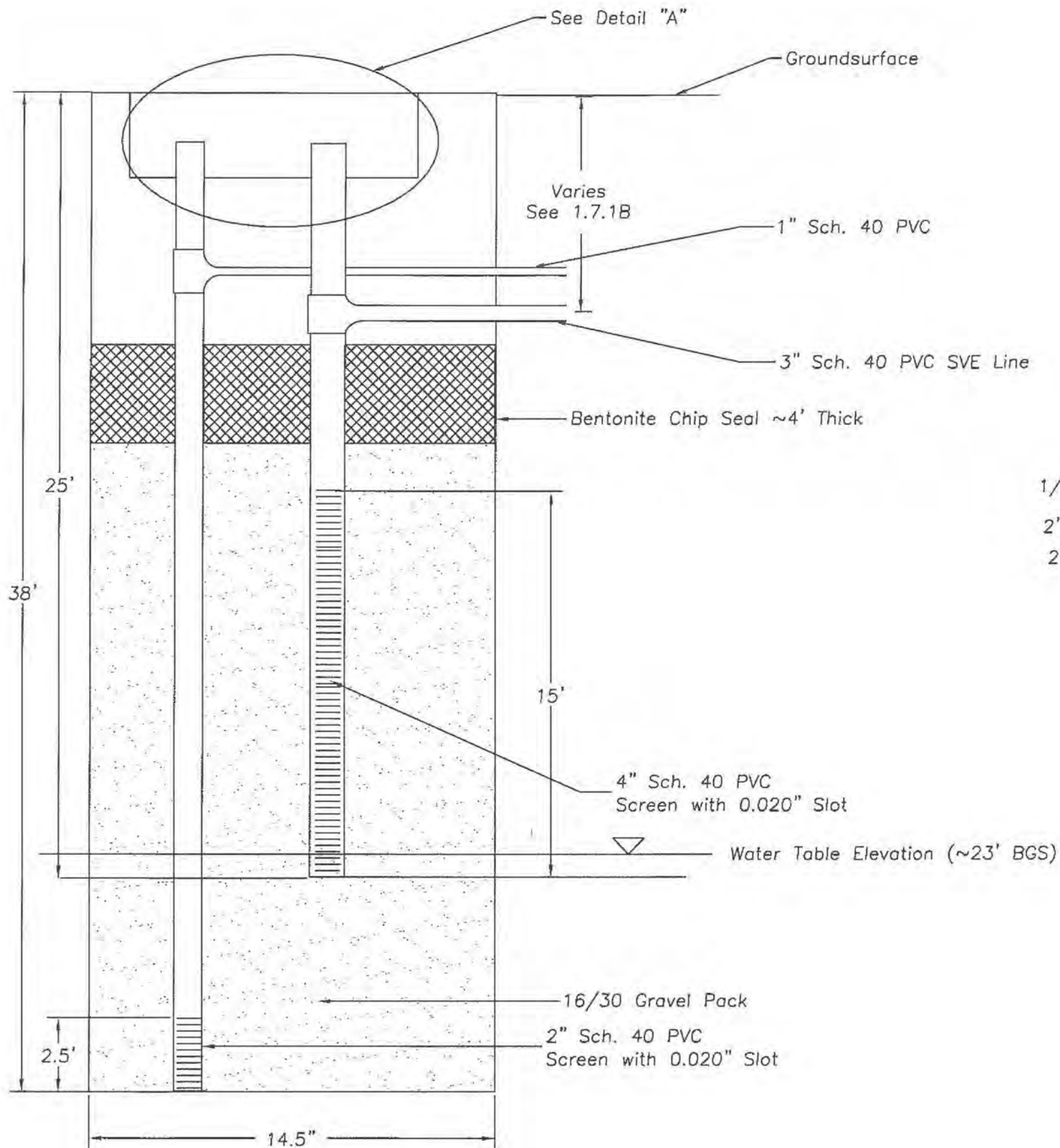
FIGURE NAME: Site Base Map - Close Up  
 PROJECT NUMBER: 2074074  
 PROJECT MANAGER: SGE

Kathy's Fuel  
 150 Washington Street  
 Clyde, Kansas  
 KDHE #:A5-015-40443



**Legend**

- = Property Lines
- = Monitoring Well
- = AS/SVE Well
- = AST
- = Pump Island
- = Water Lines
- = Overhead Electric Lines
- = Product Lines
- = Existing Gas Lines



Detail "A"

\*Not to Scale\*

Air Sparge/ Soil Vapor Extraction Well Schematic and Well Head Details	
Kathy's Fuel, LLC Clyde, KS KDHE Project Code: A5-015-40443	
Remedial Design Plan CGP Project #18839K	
Prepared By: MK	Date: 08-27-2019
Reviewed By: RH	Date: 08-28-2019
Drawing 1.7.5A	
CGP, Inc. PO Box 23, Wahoo, NE 68066	

