

KANSAS CORPORATION COMMISSION  
OIL & GAS CONSERVATION DIVISION

Form CP-1  
September 2003  
Form must be Typed  
Form must be Signed  
All blanks must be Filled

WELL PLUGGING APPLICATION

Please TYPE Form and File ONE Copy

API # 15- 093-21569-0000 (Identifier Number of this well). This must be listed for wells drilled since 1967; if no API # was issued.

Indicate original spud or completion date S03-21-97 C05-08-97

Well Operator: BP AMERICA PRODUCTION COMPANY KCC License #: 5952 *6/05*

Address: P. O. BOX 3092, WL1, RM 3.201 (Owner/Company Name) City: HOUSTON (Operator's)

State: TEXAS Zip Code: 77253-3092 Contact Phone: 281 366-2052

Lease: WHITE G SWD Well #: 1 Sec. 32 Twp. 23S R. 35W  East  West

SE NW NE Spot Location/QQQQ County KEARNY

1250 Feet from (in exact footage)  North /  South (from nearest outside section corner) Line of Section (not Lease Line)

1352 Feet from (in exact footage)  East /  West (from nearest outside section corner) Line of Section (not Lease Line)

Check One:  Oil Well  Gas Well  D&A  Cathodic  Water Supply Well

SWD Docket # D-27453  ENHR Docket # \_\_\_\_\_  Other \_\_\_\_\_

Conductor Casing Size: \_\_\_\_\_ Set at: \_\_\_\_\_ Cemented with: \_\_\_\_\_ Sacks

Surface Casing Size: 4 - 1/2" Set at: 874' Cemented with: 240 Sacks

Production Casing Size: 2 - 3/8" Set at: 1535' Cemented with: 240 Sacks

List (ALL) Perforations and Bridgeplug Sets: OPEN HOLE - USED NO PERFORATIONS.

Elevation: 3019' ( G.L.  K.B.) T.D. 1590' PBDT \_\_\_\_\_ Anhydrite Depth \_\_\_\_\_  
(Stone Corral Formation)

Condition of Well:  Good  Poor  Casing Leak  Junk in Hole

Proposed Method of Plugging (attach a separate page if additional space is needed): SEE ATTACHED PROCEDURES.

Is Well Log attached to this application as required?  Yes  No Is ACO-1 filed?  Yes  No

If not explain why? \_\_\_\_\_

Plugging of this Well will be done in accordance with K.S.A. 55-101 et. seq. and the Rules and Regulations of the State Corporation Commission

List Name of Company Representative authorized to be in charge of plugging operations:  
SUE SELLERS Phone: 281 366-2052

Address: P. O. BOX 3092, WL 1, RM 3.201 City/State HOUSTON, TEXAS 77253-3092

Plugging Contractor HALLIBURTON SERVICES KCC License # 5287 99997  
(Company Name) (Contractor's)

Address \_\_\_\_\_ Phone: \_\_\_\_\_

Proposed Date and Hour of Plugging (if known?): \_\_\_\_\_

Payment of the Plugging Fee (K.A.R. 82-3-118) will be guaranteed by Operator or Agent

Date: 03/03/05 Authorized Operator / Agent: Sue Sellers

RECEIVED  
MAR 07 2005  
KCC WICHITA

(Signature)

Plugging Application  
White G SWD #1 Abandonment  
Sec 32, T23S, R35W

The application attached is to abandon the White G SWD #1. BP Amoco is abandoning this salt water disposal zone because the well is not taking water and it is uneconomic to operate.

RECEIVED  
MAR 07 2005  
KCC WICHITA

**Plugging Procedure for the White G SWD #1  
Section 32 Township 23S Range 35W  
Kearny County, Kansas**

**Formation: Glorieta  
Open Hole Disposal Interval: 1465' – 1590'**

NOTE – NOTIFY KCC DISTRICT OFFICE AT LEAST FIVE DAYS IN ADVANCE OF WORK.

This procedure was approved via a telephone conversation between Joe Eudey (BP representative) and Steve Middleton (KCC representative).

**Procedure:**

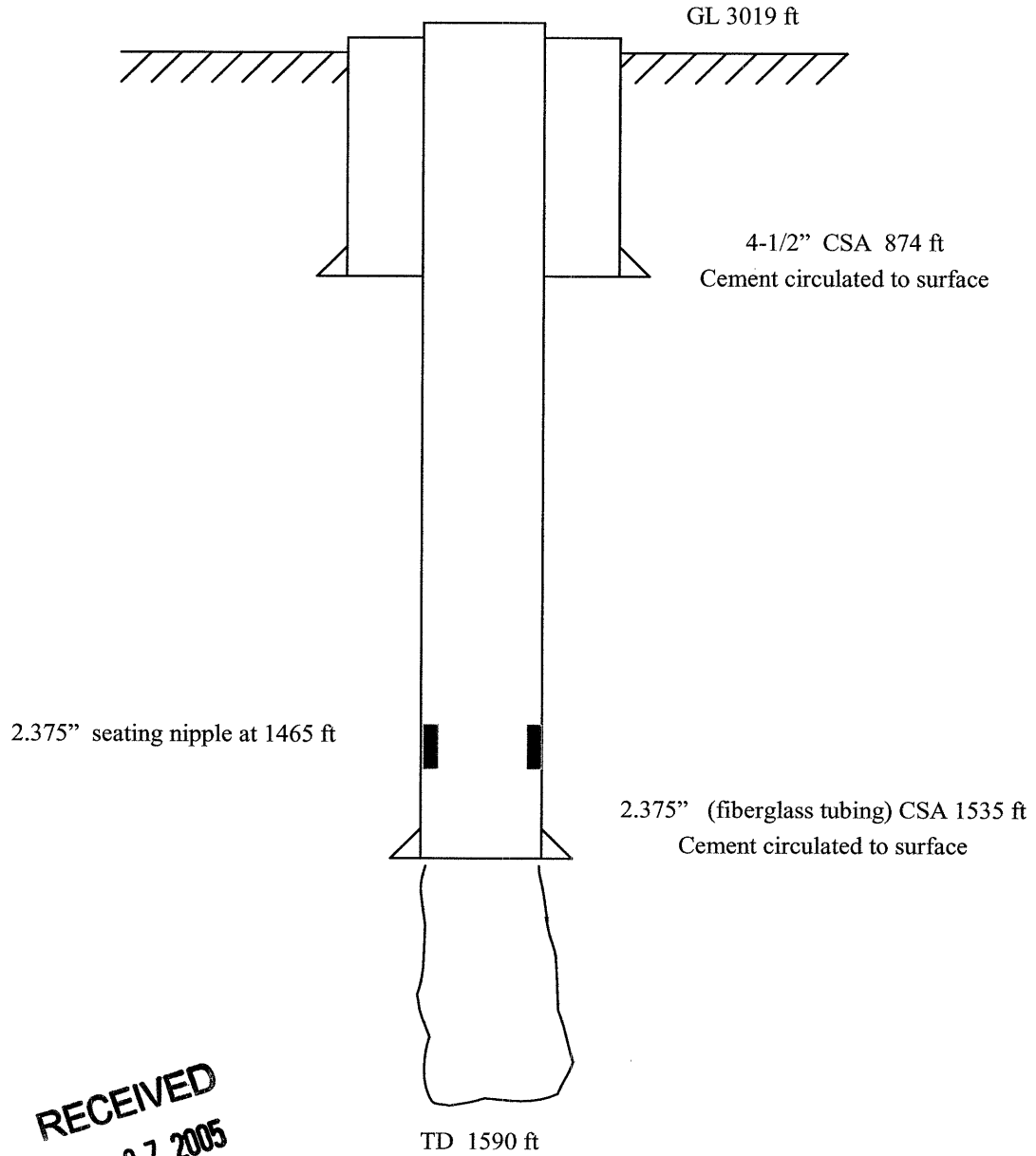
1. MIRU service unit
2. TIH with work string to the 2.375" seating nipple.
3. MIRU Halliburton cement truck.
4. Pump cement down work string, circulating cement to surface.
5. TOH with work string.
6. Fill 2.375" fiberglass tubing to ground level with cement.
7. Make sure annulus between 4.5" casing and 2.375" fiberglass tubing is full of cement.
8. RDMO Halliburton cement truck.
9. RDMO service unit
10. Cut off and cap casing 5' below ground level.
11. Restore location.

**Cement Information:**

60/40 Poz Premium Plus Cement w/6% gel mixed at 12.3 ppg, 1.54 cuft/sk yield.

**RECEIVED  
MAR 07 2005  
KCC WICHITA**

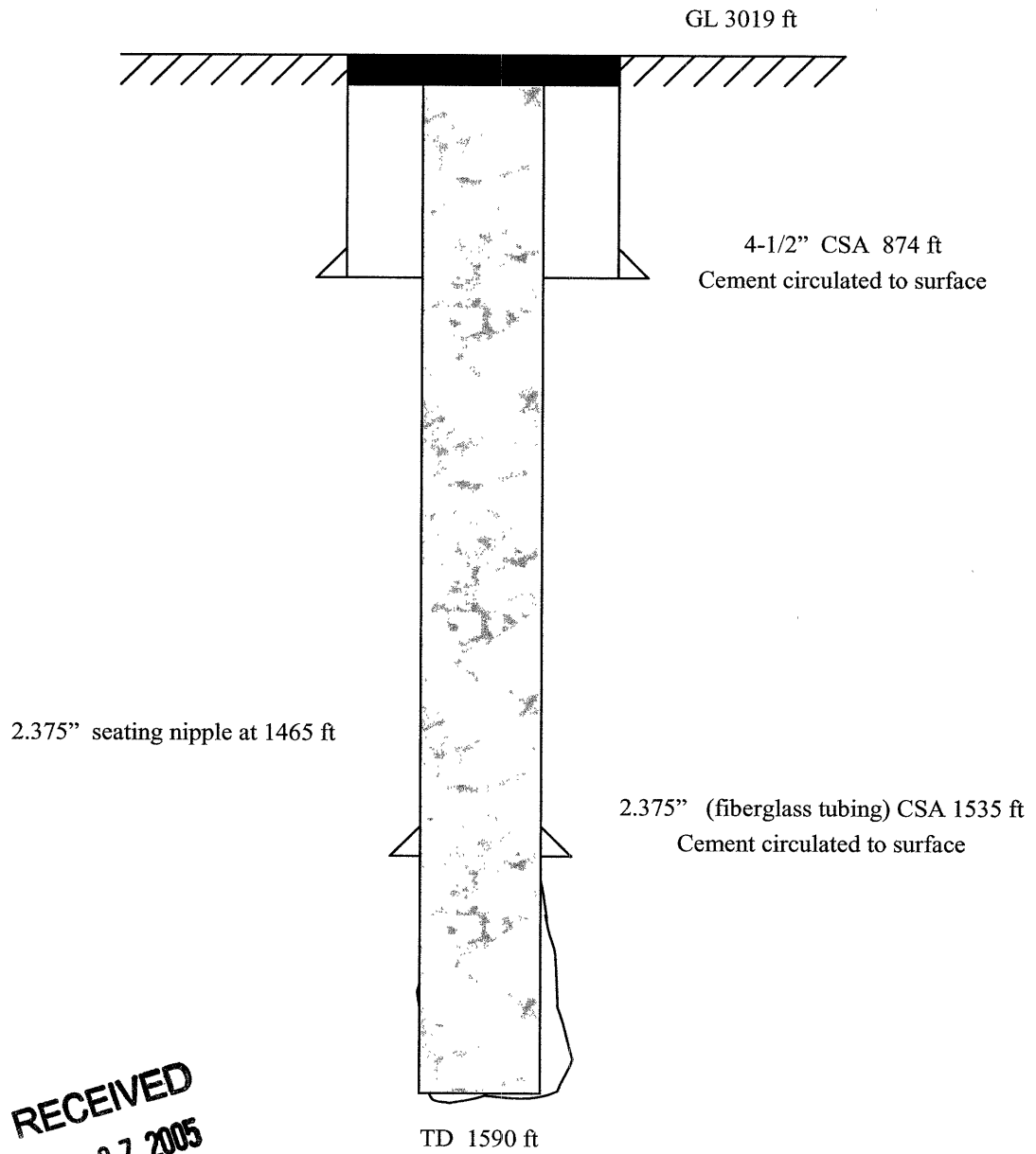
White G SWD #1  
Section 32, T23S, R35W  
Glorieta Formation  
Kearny County, Kansas



Not to scale

**RECEIVED**  
**MAR 07 2005**  
**KCC WICHITA**

White G SWD #1  
Section 32, T23S, R35W  
Glorieta Formation  
Kearny County, Kansas



Not to scale  
**RECEIVED**  
**MAR 07 2005**  
**KCC WICHITA**

# KANSAS

CORPORATION COMMISSION

Kathleen Sebellius, Governor    Brian J. Moline, Chair    Robert E. Krehbiel, Commissioner    Michael C. Moffet, Commissioner

## NOTICE OF RECEIPT OF WELL PLUGGING APPLICATION (CP-1)

BP America Production Company  
2225 West Oklahoma Avenue  
Ulysses, KS 67880

March 08, 2005

Re: WHITE G #SWD 1  
API 15-093-21569-00-00  
SEWNNE 32-23S-35W, 4030 FSL 1352 FEL  
KEARNY COUNTY, KANSAS

Dear Operator:

This letter is to notify you that the Conservation Division is in receipt of your plugging proposal, form CP-1, for the above-captioned well.

Your CP-1 has been reviewed by the Conservation Division central office for completeness and to verify license numbers. The plugging proposal will now be forwarded to the district office listed below for review of your proposed method of plugging.

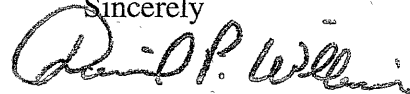
**Please contact the district office for approval of your proposed plugging method at least five (5) days before plugging the well, pursuant to K.A.R. 82-3-113 (b). If a workover pit will be used during the plugging of the well it must be permitted. A CDP-1 form must be filed and approved prior to the use of the pit.**

The Conservation Division's review of form CP-1, either in the central or district office, does not include an inquiry into well ownership or the filing operator's legal right to plug the well.

**This notice in no way constitutes authorization to plug the above-captioned well by persons not having legal rights of ownership or interest in the well. This notice is void after ninety (90) days from the above date.**

District: #1  
210 E Frontview, Suite A  
Dodge City, KS 67801  
(620) 225-8888

Sincerely



David P. Williams  
Production Supervisor