

For KCC Use: 4.19.05  
Effective Date: \_\_\_\_\_  
District # 4  
SGA?  Yes  No

KANSAS CORPORATION COMMISSION  
OIL & GAS CONSERVATION DIVISION  
**NOTICE OF INTENT TO DRILL**

Form C-1  
December 2002  
Form must be Typed  
Form must be Signed  
All blanks must be Filled

Must be approved by KCC five (5) days prior to commencing well

Expected Spud Date April 20 2005  
month day year

OPERATOR: License# 9408  
Name: Trans Pacific Oil Corporation  
Address: 100 S. Main, Suite 200  
City/State/Zip: Wichita, KS 67202  
Contact Person: Scott A. Oatsdean  
Phone: 316-262-3596

CONTRACTOR: License# 5929  
Name: Duke Drilling Co., Inc.

Well Drilled For:  Oil  Gas  OWO  Seismic; # of Holes  Other  
 Enh Rec  Storage  Disposal  Other  
Well Class:  Infield  Pool Ext.  Wildcat  
Type Equipment:  Mud Rotary  Air Rotary  Cable

If OWWO: old well information as follows:  
Operator: \_\_\_\_\_  
Well Name: \_\_\_\_\_  
Original Completion Date: \_\_\_\_\_ Original Total Depth: \_\_\_\_\_

Directional, Deviated or Horizontal  Yes  No  
If Yes, true vertical depth: \_\_\_\_\_  
Bottom Hole Location: \_\_\_\_\_  
KCC DKT #: APR 13 2005

RECEIVED  
KANSAS CORPORATION COMMISSION  
CONSERVATION DIVISION  
WICHITA, KS

**AFFIDAVIT**

The undersigned hereby affirms that the drilling, completion and eventual plugging of this well will comply with K.S.A. 55 et. seq.  
It is agreed that the following minimum requirements will be met:

1. Notify the appropriate district office **prior** to spudding of well;
2. A copy of the approved notice of intent to drill **shall be** posted on each drilling rig;
3. The minimum amount of surface pipe as specified below **shall be set** by circulating cement to the top; in all cases surface pipe **shall be set** through all unconsolidated materials plus a minimum of 20 feet into the underlying formation.
4. If the well is dry hole, an agreement between the operator and the district office on plug length and placement is necessary **prior to plugging**;
5. The appropriate district office will be notified before well is either plugged or production casing is cemented in;
6. If an ALTERNATE II COMPLETION, production pipe shall be cemented from below any usable water to surface within **120 days** of spud date.  
Or pursuant to Appendix "B" - Eastern Kansas surface casing order #133,891-C, which applies to the KCC District 3 area, alternate II cementing must be completed within 30 days of the spud date or the well shall be plugged. **In all cases, NOTIFY district office** prior to any cementing.

I hereby certify that the statements made herein are true and to the best of my knowledge and belief.

Date: 4-13-05 Signature of Operator or Agent: Scott A. Oatsdean Title: Geologist

For KCC Use ONLY  
API # 15 - 063-21590-000  
Conductor pipe required NONE feet  
Minimum surface pipe required 200 feet per Alt. 1 (2)  
Approved by RJP 4-14-05  
This authorization expires: 10-14-05  
(This authorization void if drilling not started within 6 months of effective date.)  
Spud date: \_\_\_\_\_ Agent: \_\_\_\_\_

Spot S/2 N/2 SE SW Sec. 26 Twp. 15 S. R. 28  East  West  
825' feet from  N /  S Line of Section  
1980' feet from  E /  W Line of Section  
Is SECTION  Regular  Irregular?

(Note: Locate well on the Section Plat on reverse side)

County: Gove  
Lease Name: Davis "E" Well #: 1-26  
Field Name: Wildcat

Is this a Prorated / Spaced Field?  Yes  No  
Target Formation(s): Kansas City, Marmaton, Cherokee, Mississippian  
Nearest Lease or unit boundary: 825'

Ground Surface Elevation: 2485 est. feet MSL  
Water well within one-quarter mile:  Yes  No  
Public water supply well within one mile:  Yes  No

Depth to bottom of fresh water: 150  
Depth to bottom of usable water: 9.50

Surface Pipe by Alternate:  1  2  
Length of Surface Pipe Planned to be set: 300'  
Length of Conductor Pipe required: None

Projected Total Depth: 4350'  
Formation at Total Depth: Mississippian

Water Source for Drilling Operations:  
 Well  Farm Pond  Other  
DWR Permit #: \_\_\_\_\_

(Note: Apply for Permit with DWR )

Will Cores be taken?  Yes  No  
If Yes, proposed zone: \_\_\_\_\_

**Remember to:**

- File Drill Pit Application (form CDP-1) with Intent to Drill;
- File Completion Form ACO-1 within 120 days of spud date;
- File acreage attribution plat according to field proration orders;
- Notify appropriate district office 48 hours prior to workover or re-entry;
- Submit plugging report (CP-4) after plugging is completed;
- Obtain written approval before disposing or injecting salt water.
- If this permit has expired (See: authorized expiration date) please check the box below and return to the address below.

Well Not Drilled - Permit Expired

Signature of Operator or Agent: \_\_\_\_\_  
Date: \_\_\_\_\_

Mail to: KCC - Conservation Division, 130 S. Market - Room 2078, Wichita, Kansas 67202

26  
15  
280

**IN ALL CASES PLOT THE INTENDED WELL ON THE PLAT BELOW**

*Plat of acreage attributable to a well in a prorated or spaced field*

**If the intended well is in a prorated or spaced field, please fully complete this side of the form.** If the intended well is in a prorated or spaced field complete the plat below showing that the well will be properly located in relationship to other wells producing from the common source of supply. Please show all the wells and within 1 mile of the boundaries of the proposed acreage attribution unit for gas wells and within 1/2 mile of the boundaries of the proposed acreage attribution unit for oil wells.

API No. 15 - \_\_\_\_\_  
 Operator: Trans Pacific Oil Corporation  
 Lease: Davis "E"  
 Well Number: 1-26  
 Field: Wildcat

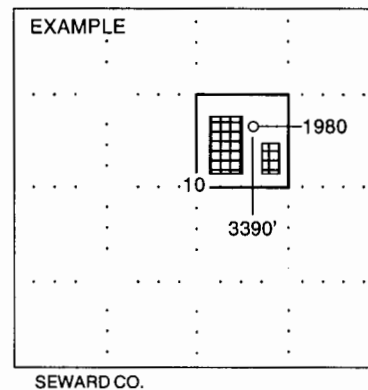
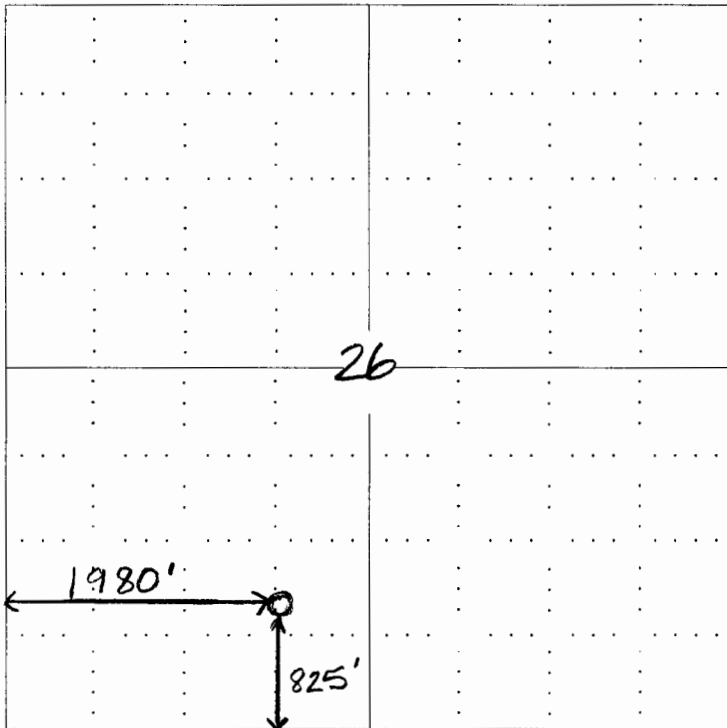
Location of Well: County: Gove  
 825' \_\_\_\_\_ feet from  N /  S Line of Section  
 1980' \_\_\_\_\_ feet from  E /  W Line of Section  
 Sec. 26 Twp. 15 S. R. 28  East  West

Number of Acres attributable to well: \_\_\_\_\_  
 QTR / QTR / QTR of acreage: S/2 - N/2 - SE - SW

Is Section:  Regular or  Irregular  
**If Section is irregular, locate well from nearest corner boundary.**  
 Section corner used:  NE  NW  SE  SW

**PLAT**

*(Show location of the well and shade attributable acreage for prorated or spaced wells.)  
 (Show footage to the nearest lease or unit boundary line.)*



SEWARD CO.

**NOTE: In all cases locate the spot of the proposed drilling locaton.**

**In plotting the proposed location of the well, you must show:**

1. The manner in which you are using the depicted plat by identifying section lines, i.e. 1 section, 1 section with 8 surrounding sections, 4 sections, etc.
2. The distance of the proposed drilling location from the section's south / north and east / west.
3. The distance to the nearest lease or unit boundary line.
4. If proposed location is located within a prorated or spaced field a certificate of acreage attribution plat must be attached: (CO-7 for oil wells; CG-8 for gas wells).