

For KCC Use: 12.18.05  
Effective Date: \_\_\_\_\_  
District # 1  
SGA?  Yes  No

KANSAS CORPORATION COMMISSION  
OIL & GAS CONSERVATION DIVISION

Form C-1  
December 2002  
Form must be Typed  
Form must be Signed  
All blanks must be Filled

**NOTICE OF INTENT TO DRILL**

Must be approved by KCC five (5) days prior to commencing well

Expected Spud Date 01 31 2006  
month day year

Spot 170' S & 20' E  
S/2 - S/2 - NE Sec. 23 Twp. 19 S. R. 22  
 East  West

OPERATOR: License# 4058  
Name: American Warrior, Inc.  
Address: P. O. Box 399  
City/State/Zip: Garden City, KS 67846  
Contact Person: Scott Corsair  
Phone: 785-398-2270

2150 feet from  N /  S Line of Section  
1300 feet from  E /  W Line of Section  
Is SECTION  Regular  Irregular?

CONTRACTOR: License# 33323  
Name: Petromark Drilling, LLC

(Note: Locate well on the Section Plat on reverse side)  
County: Ness  
Lease Name: Rein Well #: 2-23  
Field Name: Schaben

Well Drilled For:  Oil  Enh Rec  Infield  Mud Rotary  
 Gas  Storage  Pool Ext.  Air Rotary  
 OWWO  Disposal  Wildcat  Cable  
 Seismic; # of Holes  Other  
 Other

Is this a Prorated / Spaced Field?  Yes  No  
Target Formation(s): Mississippian  
Nearest Lease or unit boundary: 490'  
Ground Surface Elevation: 2245 feet MSL  
Water well within one-quarter mile:  Yes  No  
Public water supply well within one mile:  Yes  No  
Depth to bottom of fresh water: 480' 180  
Depth to bottom of usable water: 720' 750

If OWWO: old well information as follows:  
Operator: \_\_\_\_\_  
Well Name: \_\_\_\_\_  
Original Completion Date: \_\_\_\_\_ Original Total Depth: \_\_\_\_\_

Surface Pipe by Alternate:  1  2  
Length of Surface Pipe Planned to be set: 200  
Length of Conductor Pipe required: None  
Projected Total Depth: 4400'  
Formation at Total Depth: Mississippian

Directional, Deviated or Horizontal wellbore?  Yes  No  
If Yes, true vertical depth: \_\_\_\_\_  
Bottom Hole Location: \_\_\_\_\_  
KCC DKT #: \_\_\_\_\_

Water Source for Drilling Operations:  
 Well  Farm Pond Other \_\_\_\_\_  
DWR Permit #: \_\_\_\_\_  
(Note: Apply for Permit with DWR )  
Will Cores be taken?  Yes  No  
If Yes, proposed zone: \_\_\_\_\_

**X REMOVED FROM SCHABEN B. P. O.**

**06-CONS. 019. CBPO**

**AFFIDAVIT**

The undersigned hereby affirms that the drilling, completion and eventual plugging of this well will comply with K.S.A. 55 et. seq.  
It is agreed that the following minimum requirements will be met:

1. Notify the appropriate district office **prior** to spudding of well;
2. A copy of the approved notice of intent to drill **shall be** posted on each drilling rig;
3. The minimum amount of surface pipe as specified below **shall be set** by circulating cement to the top; in all cases surface pipe **shall be set** through all unconsolidated materials plus a minimum of 20 feet into the underlying formation.
4. If the well is dry hole, an agreement between the operator and the district office on plug length and placement is necessary **prior to plugging**;
5. The appropriate district office will be notified before well is either plugged or production casing is cemented in;
6. If an ALTERNATE II COMPLETION, production pipe shall be cemented from below any usable water to surface within **120 days** of spud date.  
Or pursuant to Appendix "B" - Eastern Kansas surface casing order #133,891-C, which applies to the KCC District 3 area, alternate II cementing must be completed within 30 days of the spud date or the well shall be plugged. **In all cases, NOTIFY district office** prior to any cementing.

I hereby certify that the statements made herein are true and to the best of my knowledge and belief.

Date: December 12, 2005 Signature of Operator or Agent: Scott Corsair Title: Petroleum Engineer

**For KCC Use ONLY**  
API # 15 - 135-24430-00-00  
Conductor pipe required NONE feet  
Minimum surface pipe required 200 feet per Alt. 1 **(2)**  
Approved by: RSP12.13.05  
This authorization expires: 6.13.06  
(This authorization void if drilling not started within 6 months of effective date.)  
Spud date: \_\_\_\_\_ Agent: \_\_\_\_\_

**Remember to:**  
- File Drill Pit Application (form CDP-1) with Intent to Drill;  
- File Completion Form ACO-1 within 120 days of spud date;  
- File acreage attribution plat according to field proration orders;  
- Notify appropriate district office 48 hours prior to workover or re-entry;  
- Submit plugging report (CP-4) after plugging is completed;  
- Obtain written approval before disposing or injecting salt water.  
- If this permit has expired (See: authorized expiration date) please check the box below and return to the address below.  
 Well Not Drilled - Permit Expired  
Signature of Operator or Agent: \_\_\_\_\_  
Date: \_\_\_\_\_

RECEIVED  
DEC 12 2005  
KCC WICHITA

23  
19  
2200

**IN ALL CASES PLOT THE INTENDED WELL ON THE PLAT BELOW**

*Plat of acreage attributable to a well in a prorated or spaced field*

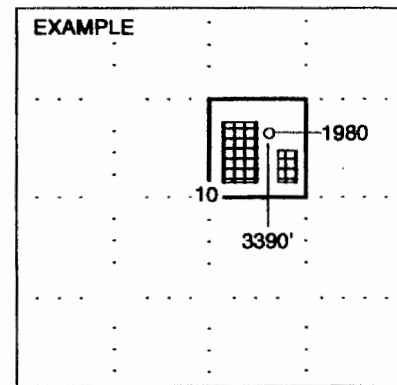
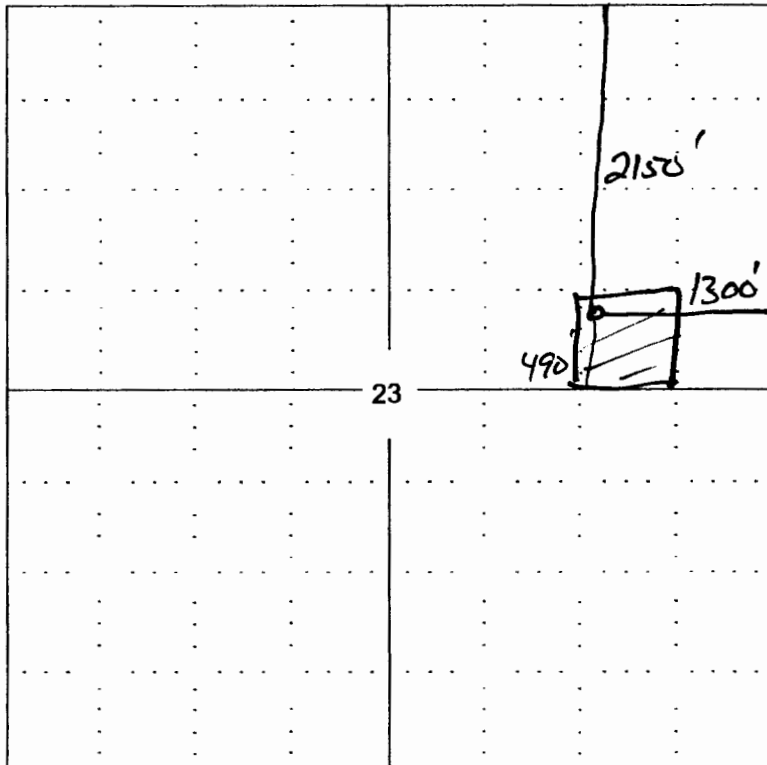
**If the intended well is in a prorated or spaced field, please fully complete this side of the form.** If the intended well is in a prorated or spaced field complete the plat below showing that the well will be properly located in relationship to other wells producing from the common source of supply. Please show all the wells and within 1 mile of the boundaries of the proposed acreage attribution unit for gas wells and within 1/2 mile of the boundaries of the proposed acreage attribution unit for oil wells.

API No. 15 - \_\_\_\_\_  
 Operator: American Warrior, Inc.  
 Lease: Rein  
 Well Number: 2-23  
 Field: Schaben  
 Number of Acres attributable to well: 10  
 QTR / QTR / QTR of acreage: S/2 - S/2 - NE

Location of Well: County: Ness  
2150 feet from  N /  S Line of Section  
1300 feet from  E /  W Line of Section  
 Sec. 23 Twp. 19 S. R. 22  East  West  
 Is Section:  Regular or  Irregular  
**If Section is Irregular, locate well from nearest corner boundary.**  
 Section corner used:  NE  NW  SE  SW

**PLAT**

*(Show location of the well and shade attributable acreage for prorated or spaced wells.)  
 (Show footage to the nearest lease or unit boundary line.)*



**NOTE: In all cases locate the spot of the proposed drilling location.**

**In plotting the proposed location of the well, you must show:**

1. The manner in which you are using the depicted plat by identifying section lines, i.e. 1 section, 1 section with 8 surrounding sections, 4 sections, etc.
2. The distance of the proposed drilling location from the section's south / north and east / west.
3. The distance to the nearest lease or unit boundary line.
4. If proposed location is located within a prorated or spaced field a certificate of acreage attribution plat must be attached: (CO-7 for oil wells;