

WELL LOG

CP4  
15-077-20357-00-00

Larsen #1  
280'FNL & 2360'FEL  
Section 16-32S-7W  
Harper County, Kansas

OPERATOR : TEXAS OIL AND GAS CORP. COMMENCED: 5-22-76  
CONTRACTOR: XPLOR DRILLING COMPANY COMPLETED: 6-3-76

CASING RECORD: Ran 6 jts. used 24# & 20# 8 5/8" casing, 12 1/4" hole set @246'. Ran 138 jts. new 4 1/2" casing cement with 275 sacks 50/50 posmix, 18% salt. Set @4565'.

FORMATION	FROM	TO	ELEVATION
Sand & Shale	0	360	1415 Gr.
Shale	360	1586	1420 D.F.
Lime	1586	1814	1423 K.B.
Shale & Lime	1814	3879	
Lime	3879	3912	
Shale & Lime	3912	3981	
Lime	3981	4427	
Shale & Lime	4427	4638	
Shale	4638	4762	
RTD	4762		

STATE OF KANSAS )  
 ) SS:  
COUNTY OF SEDGWICK )

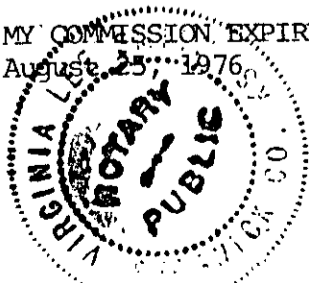
I certify that this is a true and correct copy of the Driller's Log of the well drilled 280'FNL & 2360'FEL of Section 16-32S-7W, Harper County, Kansas to the best of my knowledge and belief.

XPLOR DRILLING CO.

*Wayne L. Kirkman*  
Wayne L. Kirkman, Owner

Subscribed and sworn to before me this 4th day of June 1976.

MY COMMISSION EXPIRES:  
August 25, 1976



*Virginia Lee Smith*  
Virginia Lee Smith, Notary Public

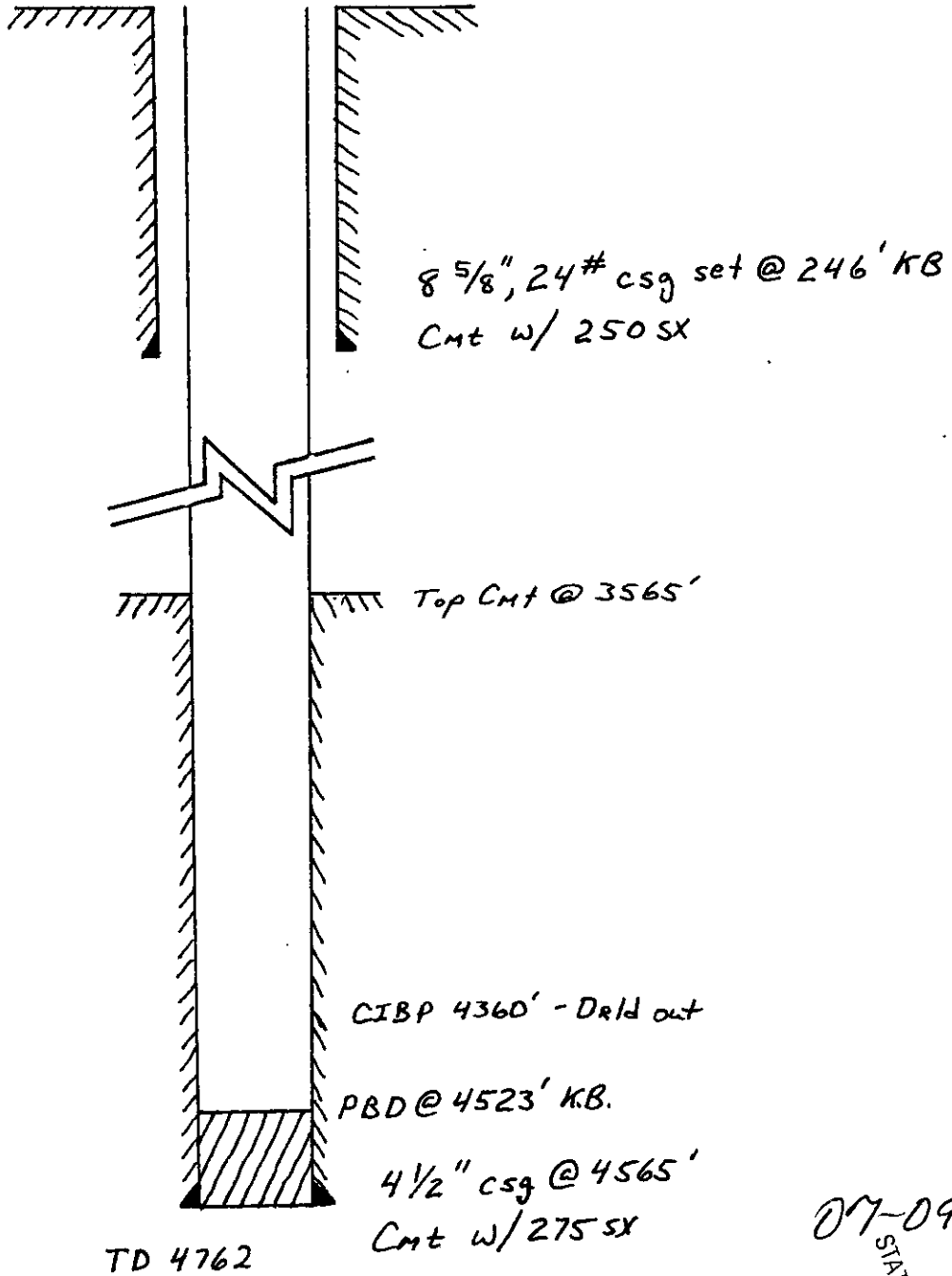
09-09-1980  
RECEIVED  
STATE CORPORATION COMMISSION  
DIVISION  
Wichita, Kansas  
BUL - 9/1980

Well: LARSON #1

15-077-20357-00-00

Location: 280' FNL + 2360' FEL Sec 16-325-7W Harper Co., Ks

Elevation: 1415' GL 1423' KB



07-09-1980  
RECEIVED  
STATE CORPORATION COMMISSION  
JUL - 9 1980  
CONSERVATION DIVISION  
Wichita, Kansas