

STATE OF KANSAS  
STATE CORPORATION COMMISSION  
CONSERVATION DIVISION  
130 S. Market, Room 2078  
Wichita, KS 67202

RECEIVED

FORM CP-1  
Rev. 03/92

MAY 24 2002

5-24-02  
KCC WICHITA

WELL PLUGGING APPLICATION FORM  
(PLEASE TYPE FORM and File ONE Copy)

API # 15-175-20161-0000 (Identifier number of this well). This must be listed for wells drilled since 1967; if no API # was issued, indicate spud or completion date.

WELL OPERATOR BP AMERICA PRODUCTION COMPANY KCC LICENSE # 5952  
ADDRESS P. O. BOX 3092, WL1, RM 3.315 (owner/company name) CITY HOUSTON (operator's)

STATE TEXAS ZIP CODE 77253-3092 CONTACT PHONE # (281) 366-2052

LEASE LEMERT A WELL # 3 SEC. 33 T. 32S R. 33W (East/West)

- - C - SW SPOT LOCATION/QQQQ COUNTY SEWARD

1320 FEET (in exact footage) FROM S (circle one) LINE OF SECTION (NOT Lease Line)

1371 FEET (in exact footage) FROM E (circle one) LINE OF SECTION (NOT Lease Line)

Check One: OIL WELL  GAS WELL  D&A  SWD/ENHR WELL  DOCKET # \_\_\_\_\_

CONDUCTOR CASING SIZE \_\_\_\_\_ SET AT \_\_\_\_\_ CEMENTED WITH \_\_\_\_\_ SACKS

SURFACE CASING SIZE 8 5/8" SET AT 1624' CEMENTED WITH 1150 SACKS

PRODUCTION CASING SIZE 4 1/2' SET AT 5800' CEMENTED WITH 300 SACKS

LIST (ALL) PERFORATIONS and BRIDGEPLUG SETS: 5567-5584'

ELEVATION 2813 GL T.D. 6105' P.B.T.D. 5652' ANHYDRITE DEPTH \_\_\_\_\_  
(G.L./K.B.) (Stone Corral Formation)

CONDITION OF WELL: GOOD \_\_\_\_\_ POOR \_\_\_\_\_ CASING LEAK  JUNK IN HOLE \_\_\_\_\_

PROPOSED METHOD OF PLUGGING SEE ATTACHED PROCEDURES

(If additional space is needed attach separate page)

IS WELL LOG ATTACHED TO THIS APPLICATION AS REQUIRED? YES IS ACO-1 FILED? YES

If not explain why? \_\_\_\_\_

PLUGGING OF THIS WELL WILL BE DONE IN ACCORDANCE WITH K.S.A. 55-101 et. seq. AND THE RULES AND REGULATIONS OF THE STATE CORPORATION COMMISSION.

LIST NAME OF COMPANY REPRESENTATIVE AUTHORIZED TO BE IN CHARGE OF PLUGGING OPERATIONS.

SUE SELLERS PHONE # (281) 366-2052

ADDRESS P. O. BOX 3092, WL 1, RM 3.315 City/State HOUSTON, TEXAS 77253-3092

PLUGGING CONTRATOR HALLIBURTON SERVICES KCC LICENSE # 5287  
(company name) (contractor's)

ADDRESS \_\_\_\_\_ PHONE # ( ) \_\_\_\_\_

PROPOSED DATE AND HOUR OF PLUGGING (If Known?) \_\_\_\_\_

PAYMENT OF THE PLUGGING FEE (K.A.R. 82-3-118) WILL BE GUARANTEED BY OPERATOR OR AGENT

DATE: 05/22/02 AUTHORIZED OPERATOR/AGENT: Sue Sellers  
(signature)

Plugging Application  
Lemert A3 – Abandonment  
Section 33, T32S, R33W  
Seward County, Kansas

RECEIVED

MAY 24 2002

KCC WICHITA

The application attached is to abandon the Lemert A3. BP America Production Company is abandoning this well since it is uneconomic to repair. It is doubtful that commercial production can be obtained.

RECEIVED

MAY 24 2002

KCC WICHITA

**Plugging Procedure for the Lemert A3  
Section 33 T32S R33W  
Seward County, Kansas**

**NOTE – NOTIFY KCC DISTRICT OFFICE AT LEAST FIVE DAYS IN ADVANCE  
OF WORK.**

This procedure was approved via a telephone conversation between Joe Eudey (BP representative) and Kevin Strube (KCC) on May 22, 2002..

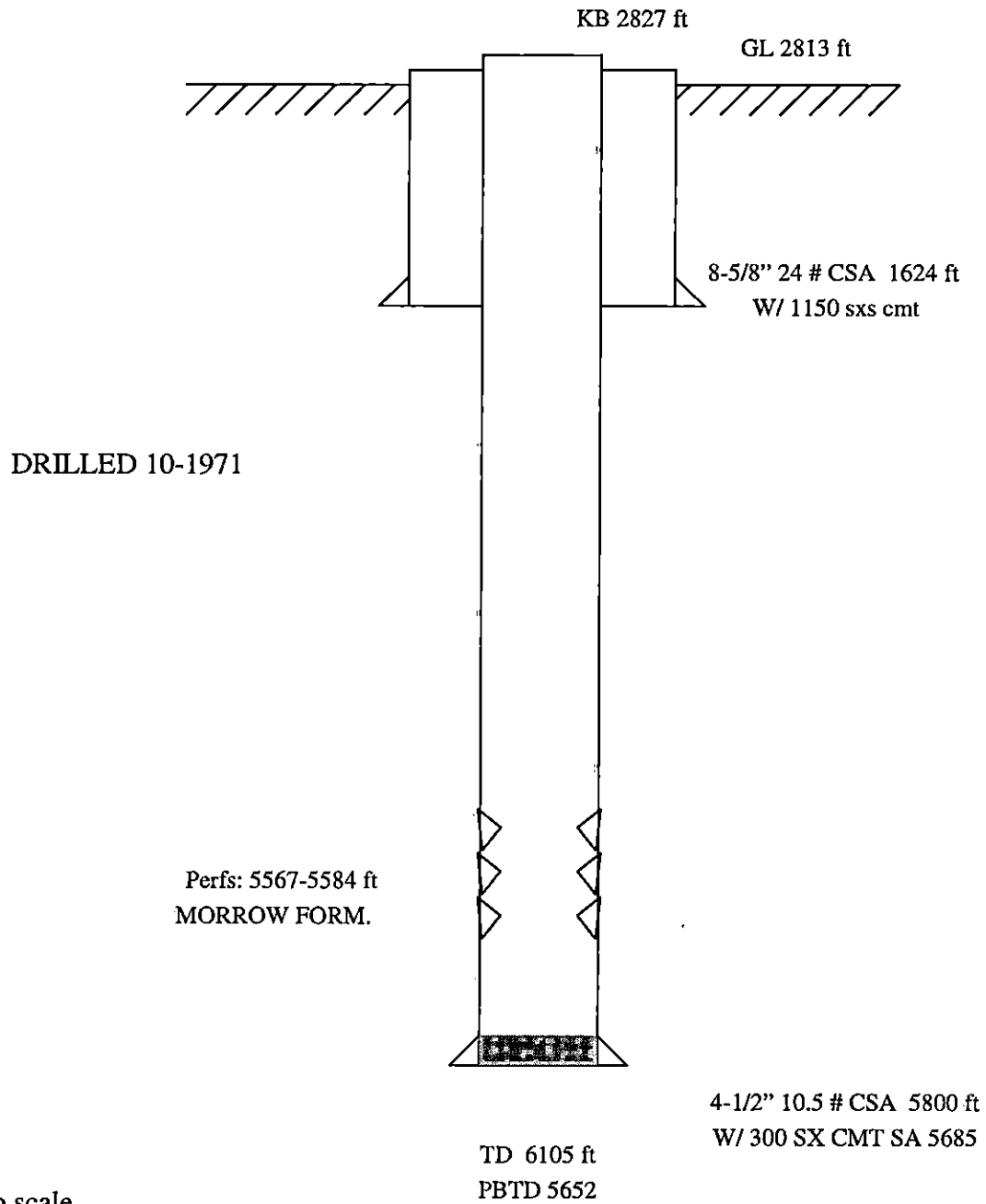
1. Set CIBP at 2950'. Perfs are 5567-5584.
2. Fill 4-1/2" casing from 2950 feet to 1624 ft w/ 78 sxs 60/40 Poz w/ 6% gel Class H cement mixed at 13.2 ppg with a yield of 1.53 ft<sup>3</sup> / sack.
3. Perforate circulating holes at 1624 ft.
4. Fill 8-5/8 inch x 4-1/2 inch annulus and 4-1/2 inch casing with 360 sxs of Class H cmt 60/40 poz w/ 6% gel mixed at 13.2 ppg yield 1.53 ft<sup>3</sup> / sack. Have 50 extra sacks on location.
5. Cut casing strings 5 ft below ground level.
6. Weld on steel cap with lease identification.
7. Restore location.

RECEIVED

MAY 24 2002

KCC WICHITA

LEMERT A3  
Section 33 Twp32S Rng 33W  
Evalyn Field  
Seward County, Kansas



Not to scale

RECEIVED

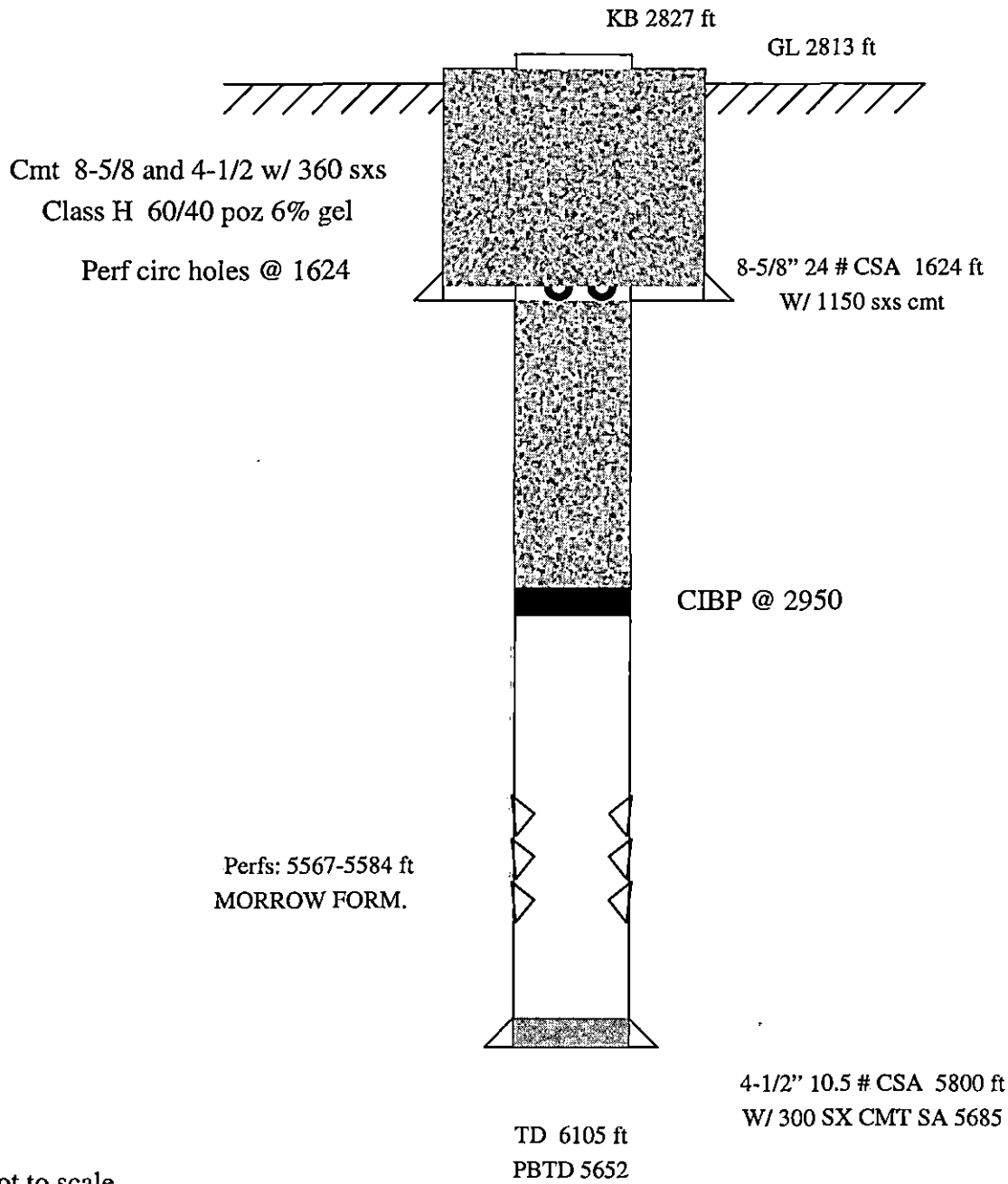
MAY 24 2002

KCC WICHITA

**PROPOSED P X A WELLBORE 5/22/2002**

**LEMERT A3**  
**Section 33 Twp32S Rng 33W**  
**Evalyn Field**  
**Seward County, Kansas**

DRILLED 10-1971



Not to scale



## *Kansas Corporation Commission*

*Bill Graves, Governor John Wine, Chair Cynthia L. Claus, Commissioner Brian J. Moline, Commissioner*

### NOTICE OF RECEIPT OF WELL PLUGGING APPLICATION (CP-1)

BP America Production Company  
2225 West Oklahoma Avenue  
Ulysses, KS 67880

July 22, 2002

Re: LEMERT GAS UNIT - A #3  
API 15-175-20161-00-00  
W2E2SW 33-32S-33W, 1320 FSL 1371 FWL  
SEWARD COUNTY, KANSAS

Dear Operator:

This letter is to notify you that the Conservation Division is in receipt of your plugging proposal, form CP-1, for the above-captioned well.

Your CP-1 has been reviewed by the Conservation Division central office for completeness and to verify license numbers. The plugging proposal will now be forwarded to the district office listed below for review of your proposed method of plugging.

**Please contact the district office for approval of your proposed plugging method at least five (5) days before plugging the well, pursuant to K.A.R. 82-3-113 (b). If a workover pit will be used during the plugging of the well it must be permitted. A CDP-1 form must be filed and approved prior to the use of the pit.**

The Conservation Division's review of form CP-1, either in the central or district office, does not include an inquiry into well ownership or the filing operator's legal right to plug the well.

**This notice in no way constitutes authorization to plug the above-captioned well by persons not having legal rights of ownership or interest in the well. This notice is void after ninety (90) days from the above date.**

Sincerely

A handwritten signature in cursive script that reads "David P. Williams".

David P. Williams  
Production Supervisor

District: #1  
210 E Frontview, Suite A  
Dodge City, KS 67801  
(316) 225-8888