

STATE OF KANSAS
STATE CORPORATION COMMISSION
200 Colorado Derby Building
Wichita, Kansas 67202

WELL PLUGGING RECORD
K.A.R.-82-3-117

API NUMBER 15-093-20846-0000

LEASE NAME THOMAS GU /A/ /CG/

WELL NUMBER 2

 Ft. from S Section Line

 Ft. from E Section Line

SEC. 14 TWP. 24S RGE. 36 (E) or (W)

COUNTY KEARNY

Date Well Completed

Plugging Commenced 9/13/94

Plugging Completed 9/13/94

TYPE OR PRINT
NOTICE: Fill out completely
and return to Cons. Div.
office within 30 days.

LEASE OPERATOR AMOCO PRODUCTION COMPANY

ADDRESS P O BOX 800, ROOM 925, DENVER, CO 80201

PHONE# (303) 830-5130 OPERATORS LICENSE NO. 5952

Character of Well GAS

(Oil, Gas, D&A, SWD, Input, Water Supply Well)

The plugging proposal was approved on 9/13/94 (date)

by STEVE MIDDLETON (KCC District Agent's Name).

Is ACO-1 filed? YES If not, is well log attached?

Producing Formation COUNCIL GROVE Depth to Top Bottom T.D. 2950

Show depth and thickness of all water, oil and gas formations.

OIL, GAS OR WATER RECORDS | CASING RECORD

Formation	Content	From	To	Size	Put in	Pulled out
SURFACE				8 5/8"	814'	

Describe in detail the manner in which the well was plugged, indicating where the mud fluid was placed and the method or methods used in introducing it into the hole. If cement or other plugs were used, state the character of same and depth placed, from feet to feet each set.
ATTACHED

(If additional description is necessary, use BACK of this form.)

Name of Plugging Contractor HALLIBURTON License No.

Address

NAME OF PARTY RESPONSIBLE FOR PLUGGING FEES: AMOCO PRODUCTION COMPANY

STATE OF COLORADO COUNTY OF DENVER, ss.

(Employee of Operator) or (Operator) of
above-described well, being first duly sworn on oath, says: That I have knowledge of the facts,
statements, and matters herein contained and the log of the above-described well as filed that
the same are RECEIVED correct, so help me God.

KANSAS CORPORATION COMMISSION

(Signature) Joe Enderg

(Address)

OCT 12 1994

SUBSCRIBED AND SWORN TO before me this 11th day of October, 19 94

CONSERVATION DIVISION
WICHITA, KS

Susan Callahan
Notary Public

My Commission Expires: August 2, 1998

Tuesday 13th @ 10:00
60/40 Poz
6% gel

Mid-Continent PBU Completion

File: DWB- -400.1

15-093-20846-0000

Operating Center Foreman: Kelly Gindlesberger Date: 4/13/94

Type of Operation: Plug and Abandonment

Lease and Well Name: Thomas "A" No. 2
 Field: Hugoton

Formation: Council Grove

Location: Sec 14, T-24-S, R-36-W, Kearny County, Kansas

Elevation: 3043' Ref Pt: KB

TD: 2950' PBSD: 2912'

Surface Csg: 8.625", 24# CSA: 814'

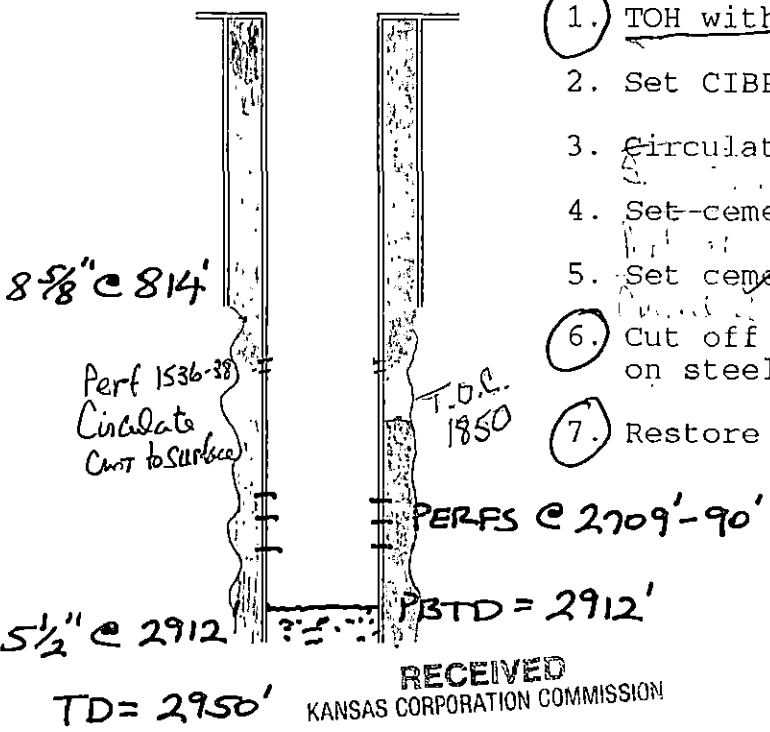
Production Csg: 5.5", 15.5# CSA: 2912'

Purpose: To PxA subject well.

Steve Middleton kcc
Fill csg with 60/40
of cottonseed hulls
at beginning of
job to seal
of C.G. zone.

WELLBORE SKETCH

PROCEDURE



1. TOH with tbg, rods, and pump.
2. Set CIBP with 2 ex cement at 2650'.
3. Circulate hole with 9-ppg-mud (36-visc-)
4. Set-cement-plug from 850' to 450'.
5. Set cement plug from 55'-5'.
6. Cut off casing 5' below ground and weld on steel cap with lease identification.
7. Restore location.

Prepared By: Ed Long

Approved By: *[Signature]*

** Glenn Barlow*
w/kcc witnessed
plugging on
4-13-94

Distribution:

- * Ellen Hartzler - Rm. 925
- K. Gindlesberger - Ulysses
- B. Y. Roundtree - Rm. 927
- J. Eudey - Ulysses
- J. Loftis - Ulysses

RECEIVED
 KANSAS CORPORATION COMMISSION

OCT 12 1994

CONSERVATION DIVISION
 WICHITA, KS

* Original to Ellen Hartzler who will send to wellfiles.