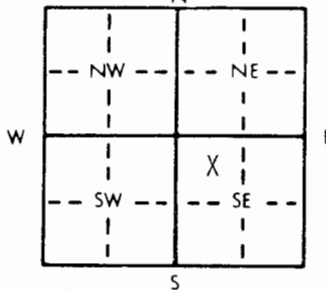


LOCATION OF WATER WELL: Fraction 1/4 NW 1/4 SE 1/4 Section Number 31 Township Number T 12 S Range Number R 16 EW

Distance and direction from nearest town or city street address of well if located within city?

WATER WELL OWNER: U.S. Air Force
Address: Forbes Field
City, State, ZIP Code: Topeka, KS
Board of Agriculture, Division of Water Resources
Application Number:

LOCATE WELL'S LOCATION WITH AN "X" IN SECTION BOX: DEPTH OF COMPLETED WELL: 48.2 ft. ELEVATION:



Depth(s) Groundwater Encountered 1. ft. 2. ft. 3. ft.
WELL'S STATIC WATER LEVEL 17.3 ft. below land surface measured on mo/day/yr
Pump test data: Well water was ... ft. after ... hours pumping ... gpm
Est. Yield ... gpm: Well water was ... ft. after ... hours pumping ... gpm
Bore Hole Diameter 8 in. to 22.2 ft., and 3.5 in. to 48.2 ft.
WELL WATER TO BE USED AS: 5 Public water supply 8 Air conditioning 11 Injection well
1 Domestic 3 Feedlot 6 Oil field water supply 9 Dewatering 12 Other (Specify below)
2 Irrigation 4 Industrial 7 Lawn and garden only 10 Observation well
Was a chemical/bacteriological sample submitted to Department? Yes... No... X...; If yes, mo/day/yr sample was submitted
Water Well Disinfected? Yes No X

TYPE OF BLANK CASING USED: 5 Wrought iron 8 Concrete tile CASING JOINTS: Glued Clamped
1 Steel 3 RMP (SR) 6 Asbestos-Cement 9 Other (specify below) Welded
2 PVC 4 ABS 7 Fiberglass Threaded X

Blank casing diameter 4 in. to 22.2 ft., Dia. in. to ft., Dia. in. to ft.
Casing height above land surface 0 in., weight lbs./ft. Wall thickness or gauge No. Schedule 80

TYPE OF SCREEN OR PERFORATION MATERIAL: 7 PVC 10 Asbestos-cement
1 Steel 3 Stainless steel 5 Fiberglass 8 RMP (SR) 11 Other (specify)
2 Brass 4 Galvanized steel 6 Concrete tile 9 ABS 12 None used (open hole)

SCREEN OR PERFORATION OPENINGS ARE: 5 Gauzed wrapped 8 Saw cut 11 None (open hole)
1 Continuous slot 3 Mill slot 6 Wire wrapped 9 Drilled holes
2 Louvered shutter 4 Key punched 7 Torch cut 10 Other (specify) None

SCREEN-PERFORATED INTERVALS: From None ft. to ft., From ft. to ft., From ft. to ft.
GRAVEL PACK INTERVALS: From None ft. to ft., From ft. to ft., From ft. to ft.

GROUT MATERIAL: 1 Neat cement 2 Cement grout 3 Bentonite 4 Other
Sealant Intervals: From 0 ft. to 22.2 ft., From ft. to ft., From ft. to ft.

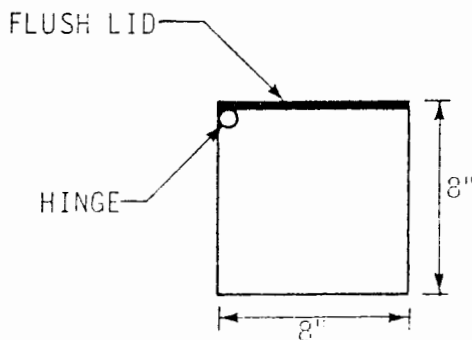
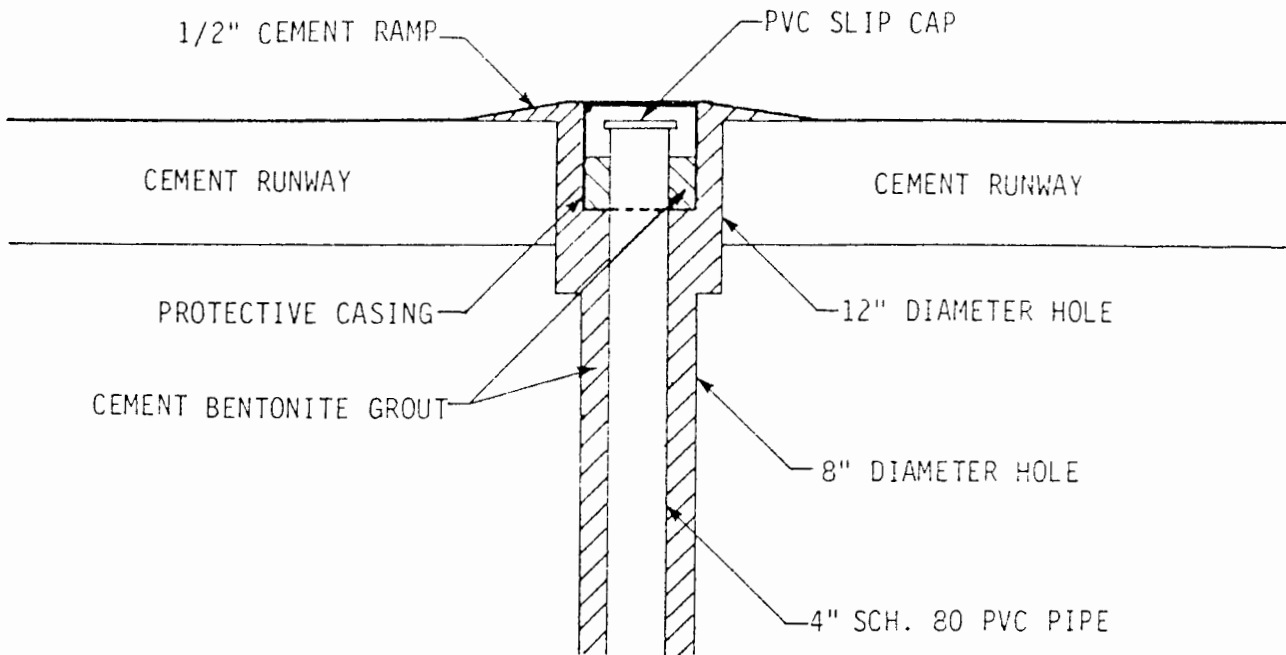
What is the nearest source of possible contamination: 10 Livestock pens 14 Abandoned water well
1 Septic tank 4 Lateral lines 7 Pit privy 11 Fuel storage 15 Oil well/Gas well
2 Sewer lines 5 Cess pool 8 Sewage lagoon 12 Fertilizer storage 16 Other (specify below)
3 Watertight sewer lines 6 Seepage pit 9 Feedyard 13 Insecticide storage

Direction from well? How many feet?

Table with columns: FROM, TO, LITHOLOGIC LOG, FROM, TO, LITHOLOGIC LOG. Data includes: 0.0 to 1.45: .25' Asphalt, 1.2' Concrete; 1.45 to 17.2: Brown Clay; 17.2 to 20.0: Medium Gray Limestone; 20.0 to 48.2: Clayey Shale.

CONTRACTOR'S OR LANDOWNER'S CERTIFICATION: This water well was (1) constructed, (2) reconstructed, or (3) plugged under my jurisdiction and was completed on (mo/day/year) 12/27/84 and this record is true to the best of my knowledge and belief. Kansas Water Well Contractor's License No. 416 This Water Well Record was completed on (mo/day/yr) 1/5/85
Under the business name of Terracon Consultants, Inc. by (signature)

INSTRUCTIONS: Use typewriter or ball point pen, PLEASE PRESS FIRMLY and PRINT clearly. Please fill in blanks, underline or circle the correct answers. Send top three copies to Kansas Department of Health and Environment, Division of Environment, Environmental Geology Section, Topeka, KS 66620. Send one to WATER WELL OWNER and retain one for your records.



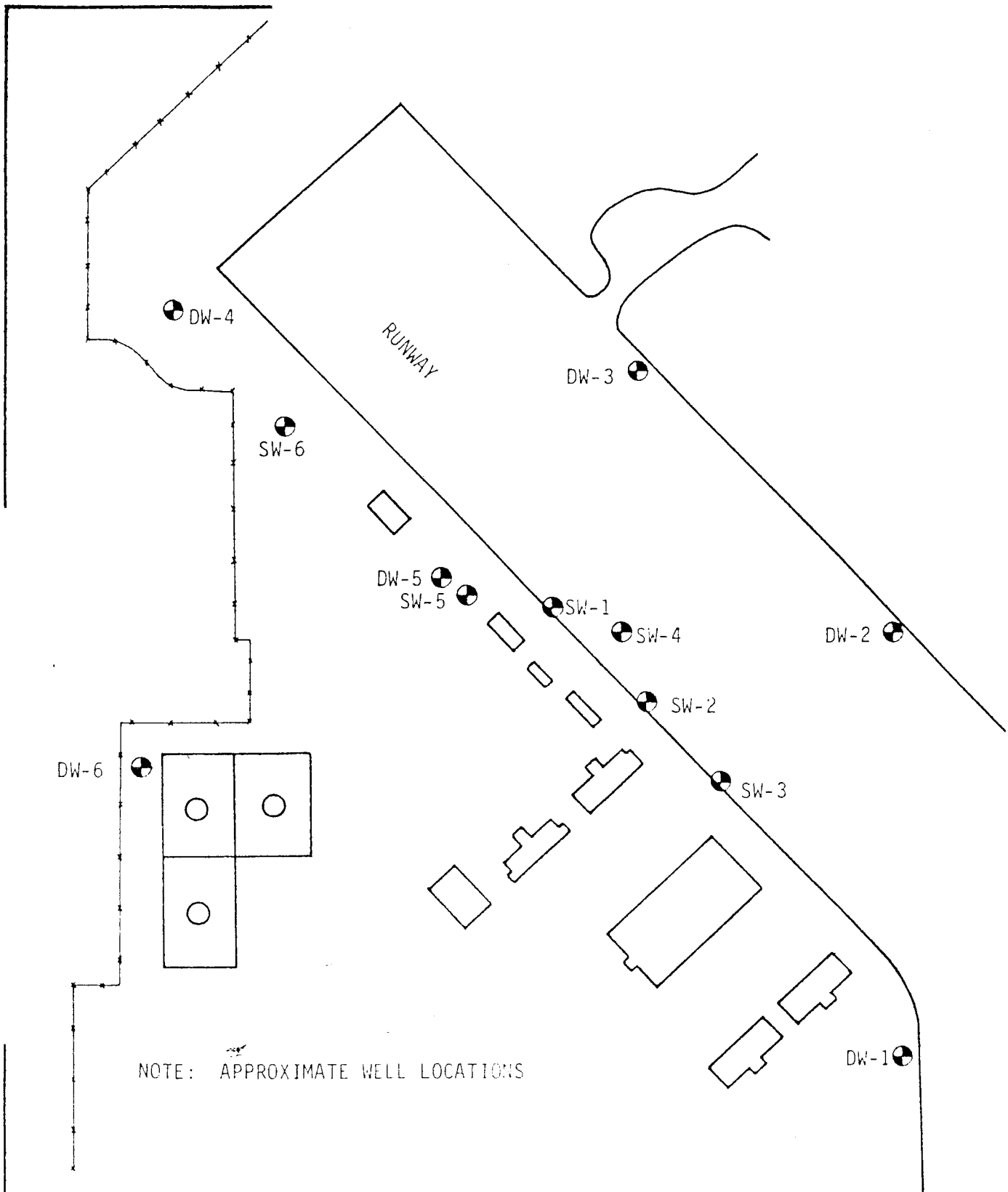
ENLARGED SECTION OF PROTECTIVE CASING

TYPICAL SECTION OF WELLS DW#2 AND DW#3
 FORBES OBSERVATION WELLS
 TOPEKA, KANSAS



Terracon Consultants, Inc.
 Cedar Falls Cedar Rapids Davenport Des Moines, IA
 Kansas City Wichita, KS
 Oklahoma City Tulsa, OK

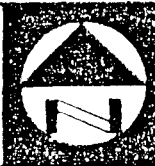
JME	NTS	1-21-85	284784
-----	-----	---------	--------



NOTE: APPROXIMATE WELL LOCATIONS

SW-SHALLOW WELLS
 DW-ANTICIPATED WELLS

LOCATION DIAGRAM
 MONITORING WELLS
 FORBES FIELD ANG BASE
 TOPEKA, KANSAS



Terracon Consultants, Inc.
 Cedar Falls Cedar Rapids Davenport Des Moines, IA
 Kansas City Wichita, KS
 Oklahoma City Tulsa, OK

JME	NTS	1-16-85	284784
-----	-----	---------	--------