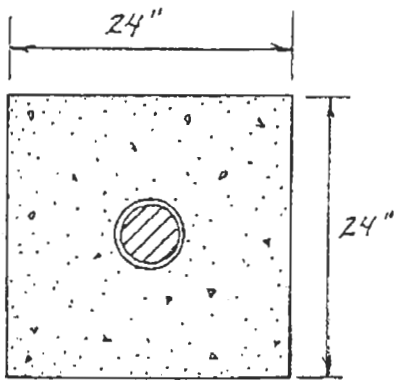
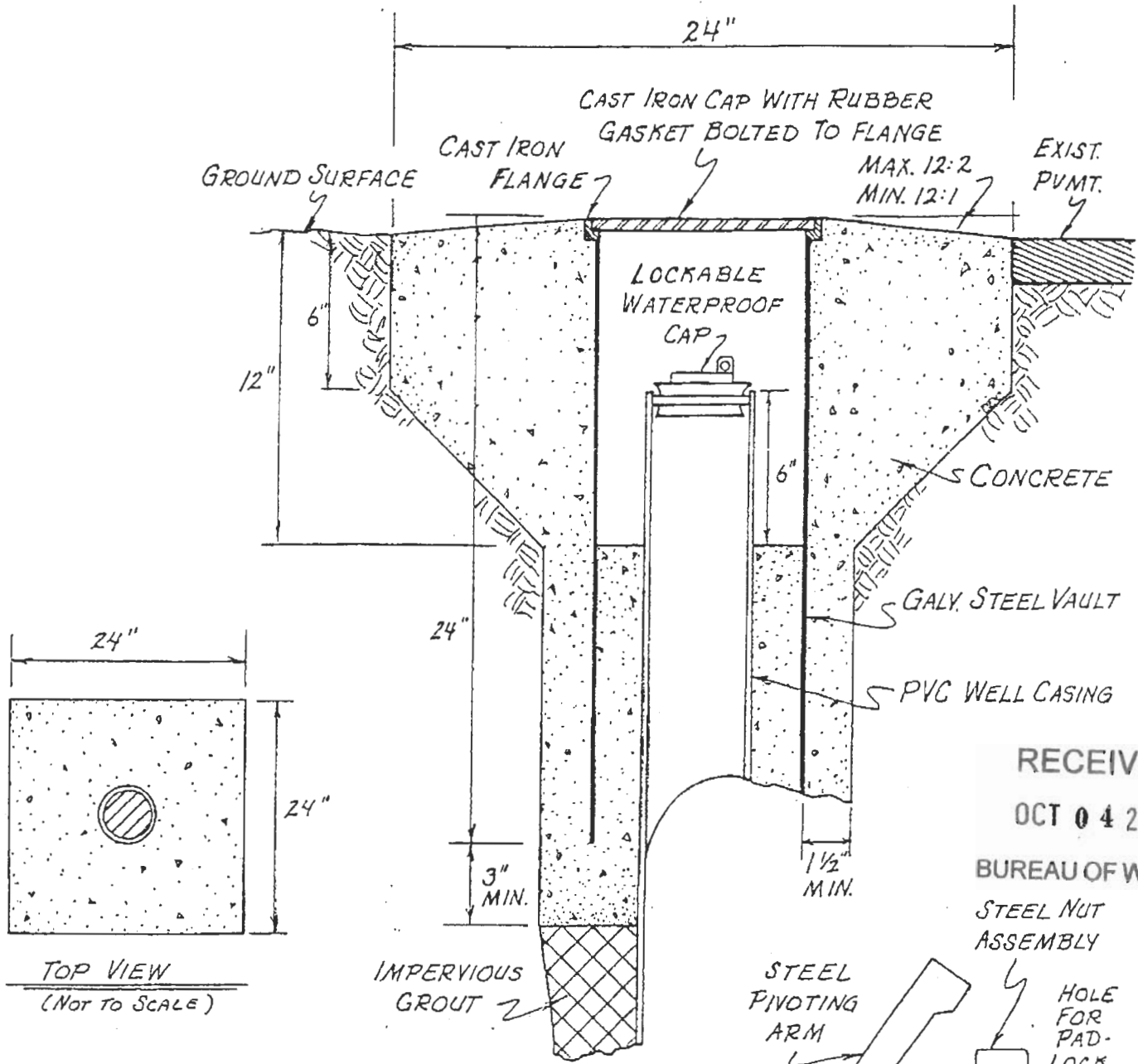


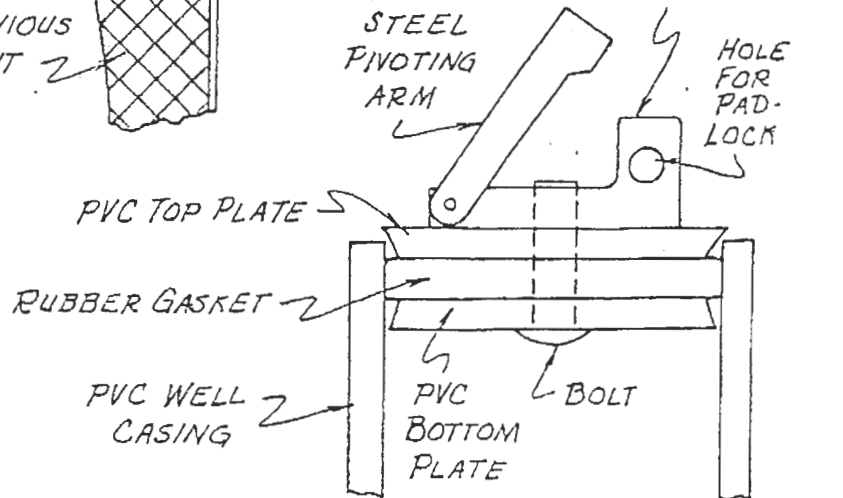
FLUSH-MOUNT WELL CONSTRUCTION DETAIL

(NOT TO SCALE)



TOP VIEW
(NOT TO SCALE)

RECEIVED
OCT 04 2004
BUREAU OF WATER
STEEL NUT
ASSEMBLY



LOCKABLE WATERPROOF CAP
(NOT TO SCALE)

CASING Ø	2"	4"
VAULT Ø	6"	9"
CONC. PAD	24" x 24"	24" x 24"

SEPT. 10, 1993