

WATER WELL RECORD MW-1

Form WWC-5

Division of Water Resources; App. No.

1 LOCATION OF WATER WELL: County: Atchison Fraction: 1/4 NE 1/4 SW 1/4 Section Number: 2 Township Number: T 6 S Range Number: R 20 E W

Distance and direction from nearest town or city street address of well if located within city? Global Positioning Systems (decimal degrees, min. of 4 digits) Latitude: N 39.5539 Longitude: W 95.1553

2 WATER WELL OWNER: KDHE-VCP (Site owner Gary Maxwell) RR#, St. Address, Box #: US Highway 59 City, State, ZIP Code: Atchison, Kansas Elevation: Datum: Data Collection Method: Garmin GPS

3 LOCATE WELL'S LOCATION WITH AN 'X' IN SECTION BOX: [Diagram showing a 3x3 grid with 'X' in the SW quadrant] 4 DEPTH OF COMPLETED WELL: 18.66 ft. Depth(s) Groundwater Encountered: WELL'S STATIC WATER LEVEL: Pump test data: Est. Yield: WELL WATER TO BE USED AS: 10 Monitoring well

5 TYPE OF CASING USED: 2 PVC, 3 Mill slot, 3 Bentonite CASING JOINTS: Threaded Blank casing diameter: 2 in. to 3.66 ft., Diameter: 3.66 in. to 18.66 ft., Diameter: 18.66 in. to 54 in. Casing height above land surface: 0 in., Weight: Wall thickness or gauge No. 34 GRAVEL PACK INTERVALS: From 0 ft. to 18.66 ft.

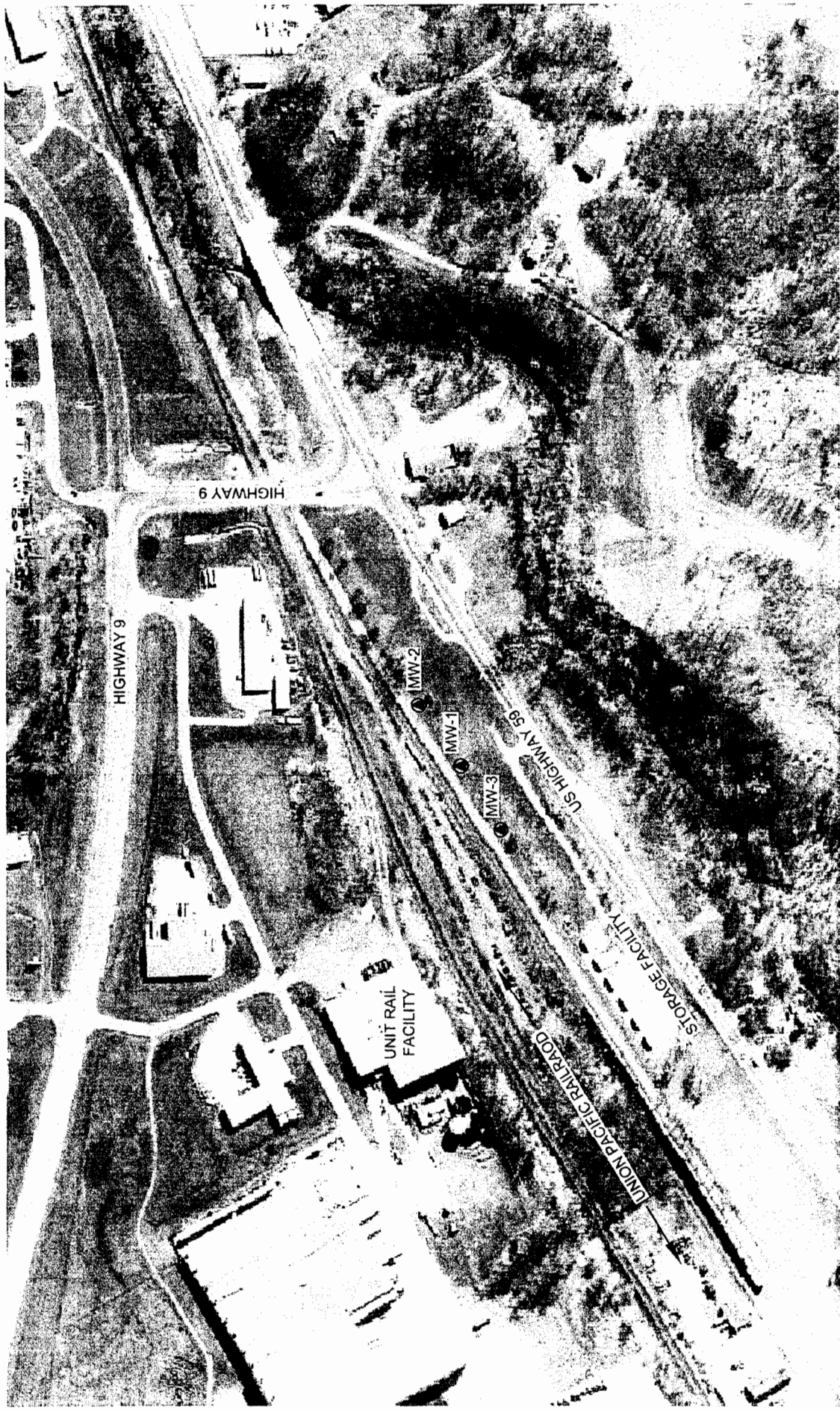
6 GROUT MATERIAL: 3 Bentonite Grout Intervals: From 2 ft. to 6 ft., From 6 ft. to 18.66 ft., From 18.66 ft. to 54 ft. What is the nearest source of possible contamination: 1 Septic tank, 4 Lateral lines, 7 Pit privy, 10 Livestock pens, 13 Insecticide storage, 16 Other (specify below)

Table with 6 columns: FROM, TO, LITHOLOGIC LOG, FROM, TO, PLUGGING INTERVALS. Content is mostly empty with 'See attached' written across the LITHOLOGIC LOG column.

7 CONTRACTOR'S OR LANDOWNER'S CERTIFICATION: This water well was (1) constructed, (2) reconstructed, or (3) plugged under my jurisdiction and was completed on (mo/day/year) 2-11-08 and this record is true to the best of my knowledge and belief. Kansas Water Well Contractor's License No. 4116 This Water Well Record was completed on (mo/day/year) 4-2-08 under the business name of TERRACON, INC. by (signature)

INSTRUCTIONS: Use typewriter or ball point pen. PLEASE PRESS FIRMLY and PRINT clearly. Please fill in blanks, underline or circle the correct answers. Send top three copies to Kansas Department of Health and Environment, Bureau of Water, Geology Section, 1000 SW Jackson St., Suite 420, Topeka, Kansas 66612-1367. Telephone 785-296-5522. Send one to WATER WELL OWNER and retain one for your records. Fee of \$5.00 for each constructed well. Visit us at http://www.kdheks.gov/waterwell/index.html.

2007 11 12



Garvin Handheld GPS

MW-1	N	39.5539°
	W	95.1553°
MW-2	N	39.5542°
	W	95.1545°
MW-3	N	39.33208°

LEGEND

● PROPOSED MONITORING WELL LOCATION

FIGURE 2 - MONITORING WELL LOCATION MAP
UNIT RAIL ANCHOR MONITORING WELL INSTALLATION

US HIGHWAY 59
 ATCHISON, KANSAS

Terracon
 13910 W. 96th Terrace
 Lenexa, Kansas 66215
 Phone: (913) 492-7777
 Fax: (913) 492-7443

Project Mgr:	BMC	Scale:	NOT TO SCALE
Designed By:	BMC	Date:	12/21/07
Checked By:	BMC	Project No:	02077137
Approved By:	BMC	File Name:	FIGURE 2.DWG
Drawn By:	RAS	Figure No:	2

DIAGRAM IS INTENDED FOR GENERAL USE ONLY, AND IS NOT FOR CONSTRUCTION PURPOSES. LOCATIONS ARE APPROXIMATE.

MONITORING WELL DOCUMENTATION

Terracon

No: MW-1

PROJECT NAME: Unit Rail Anchorage Site INSTALLATION DATE: 2/11/08
 PROJECT LOCATION: Atchafalaya PROJECT NO. 02077137

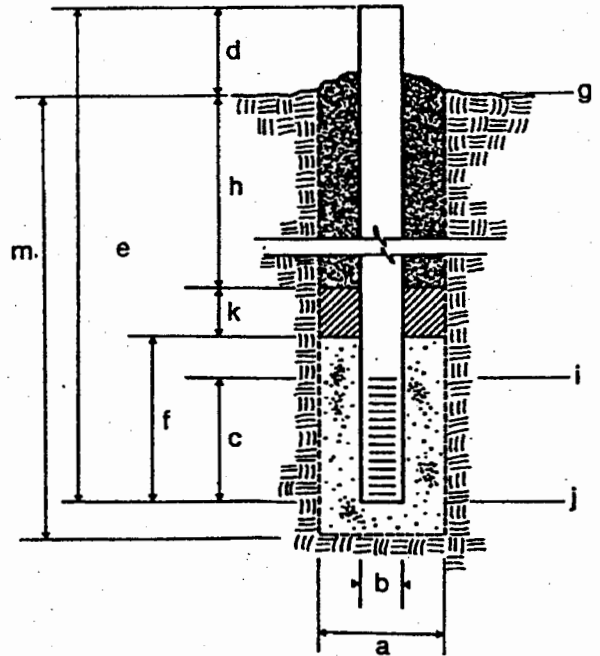
CONSTRUCTION DETAILS:

Boring Diameter (a) ~6 inches
 Casing Diameter (b) 2 inches I.D.
 Casing Material PVC pipe
 Screening length (c) 10 Screen Opening _____ inches
 From Elevation (i) _____ to (j) _____
 Ground Surface Elevation at Well (g) _____
 Height of Well Head Above Ground (d) N/A
 Depth of Well from Top of Pipe (e) ~18.666 ft.
 Depth of Boring (m) ~18.666 19.5 ft.

Backfill:

Type	Depth
<u>sand</u>	<u>(f) 6 - 18.666</u>
<u>benonite</u>	<u>(k) 2 - 6</u>
<u>open</u>	<u>(h) 0 - 2</u>

Type of Well Cap _____
 Protector Pipe _____ Lock type and number _____



Remarks: see field notes for job remarks

LOG OF WELL NO. MW-1

CLIENT KDHE							
SITE Atchison, Kansas		PROJECT Unit Rail Anchor Monitoring Well Installation					
GRAPHIC LOG	DESCRIPTION	DEPTH, ft.	SAMPLES			TESTS	
			NUMBER	TYPE*		FIELD VAPOR TEST (PPM)	SOIL SAMPLE SENT TO LABORATORY
4	<u>SILTY CLAY</u> , dark brown, moist	4					
10	<u>SILTY CLAY</u> , brown, moist	10					
17.5	<u>SILTY CLAY</u> , brown, saturated	17.5					
19.5	<u>SAND</u> , medium grained, saturated	19.5					
	BOTTOM OF BORING						

DRAFT

2.50
BGS

The stratification lines represent the approximate boundary lines between soil and rock types: in-situ, the transition may be gradual.

* CS : Continuous Sample
HA : Hand Auger

WATER LEVEL OBSERVATIONS, ft

WL	▽	▽	▽	▽	▽	▽
WL	▽	▽	▽	▽	▽	▽
WL						



WELL STARTED	2-11-08
WELL COMPLETED	2-11-08
RIG	FOREMAN
APPROVED ADE	JOB # 02077137

BOREHOLE 02077137.GPJ TERRACON.GDT 3/13/08